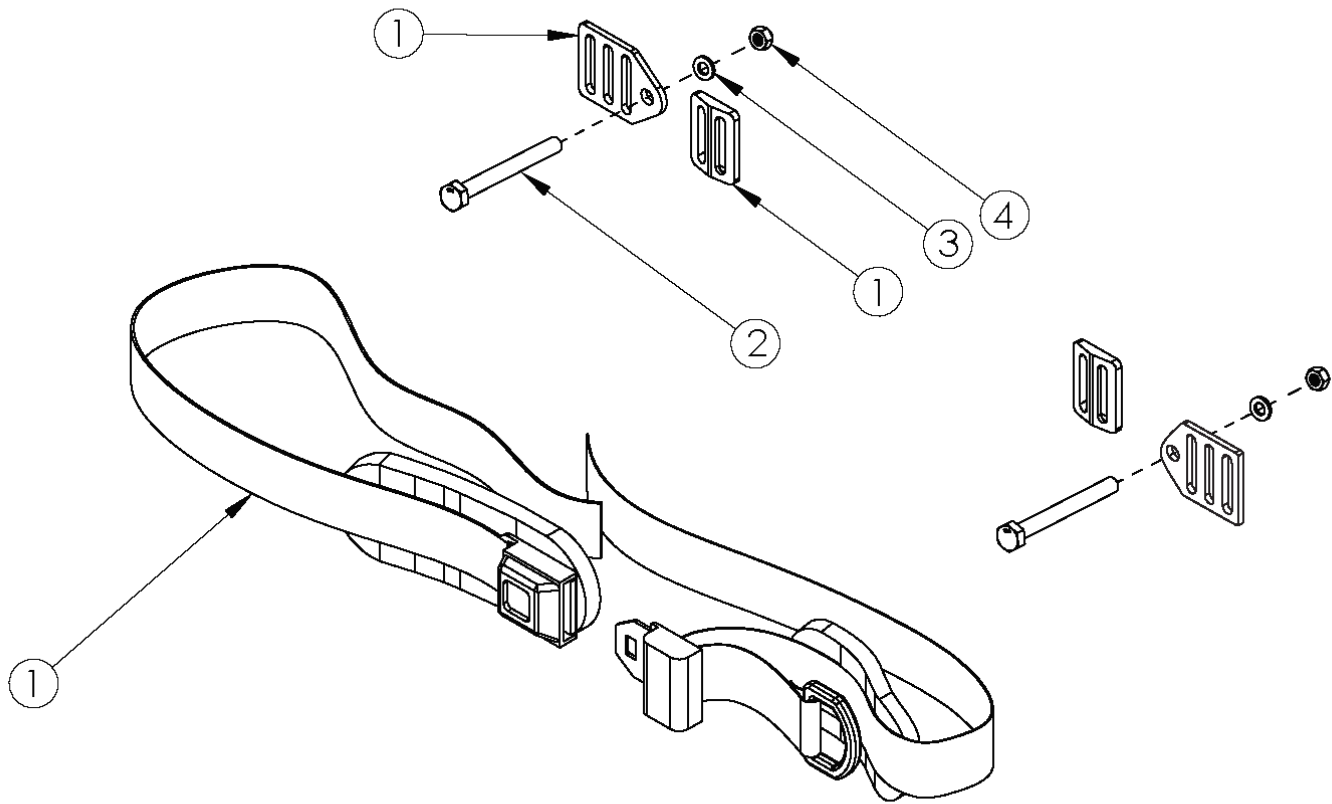


Catalyst Pelvic Positioning Belts - 1.5" Padded Auto Buckle and Hardware



Item Number	Part Number	Description	Quantity
1, 2, 3, 4	111396	Belt Pelvic Positioning 1.5" Auto Buckle Padded 56", Catalyst/Spark	1
1	100958	Belt Pelvic Positioning 1.5" Auto Buckle Padded 56"	1
2	100681	M6 x 40 CLS8.8 DIN931 HHCS ZC	2
3	100746	M6 Flat Washer Blk Zn	2
4	100658	M6 Nylock Nut Blk Zn	2