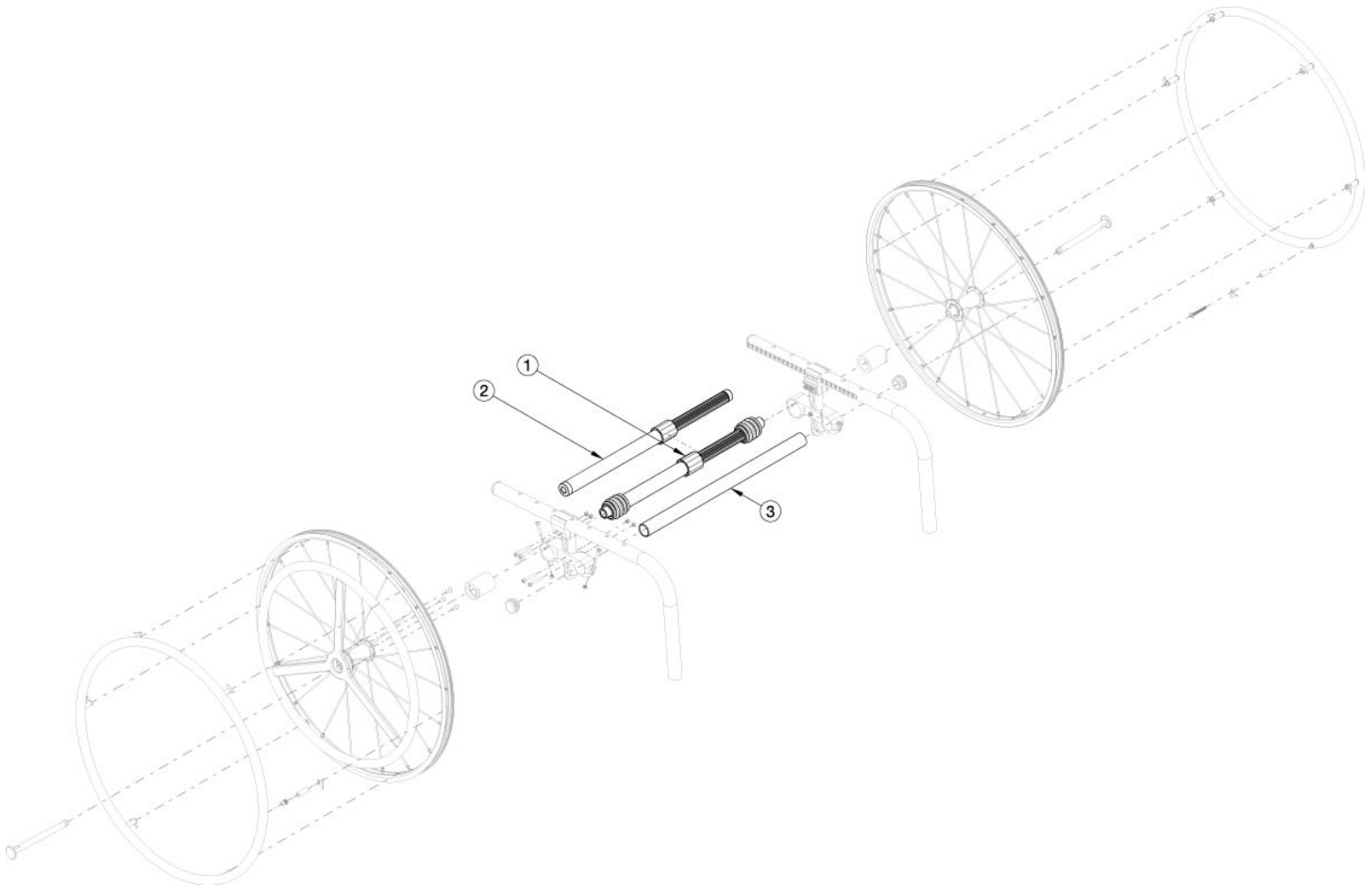


# Rogue XP One Arm Drive Quick Release - Growth



*If the chair has a discontinued OAD, a retrofit to the Quick Release Style is needed for a change in width.*

| Item Number | Part Number | Description   | Quantity |
|-------------|-------------|---|----------|
| 1a          | 111858      | One Arm Drive - Quick Release Camber Drive Shaft 170-195mm      | 1        |
| 1b          | 111627      | One Arm Drive - Quick Release Camber Drive Shaft 180-210mm      | 1        |
| 1c          | 111628      | One Arm Drive - Quick Release Camber Drive Shaft 195-235mm      | 1        |
| 1d          | 111498      | One Arm Drive - Quick Release Camber Drive Shaft 220-280mm      | 1        |
| 1e          | 111499      | One Arm Drive - Quick Release Camber Drive Shaft 270-330mm      | 1        |
| 1f          | 111500      | One Arm Drive - Quick Release Camber Drive Shaft 295-370mm      | 1        |
| 1g          | 111501      | One Arm Drive - Quick Release Camber Drive Shaft 350-460mm      | 1        |
| 2a          | 111503      | One Arm Drive - Quick Release Zero Camber Drive Shaft 177-255mm | 1        |
| 2b          | 111504      | One Arm Drive - Quick Release Zero Camber Drive Shaft 225-295mm | 1        |

| Item Number | Part Number | Description  | Quantity |
|-------------|-------------|--|----------|
| 2c          | 111505      | One Arm Drive - Quick Release Zero Camber Drive Shaft 260-370mm                                      | 1        |
| 2d          | 111506      | One Arm Drive - Quick Release Zero Camber Drive Shaft 330-440mm                                      | 1        |
| 3a          | 003369      | One Arm Drive Camber Tube 11" Kit, Klik / Rogue XP<br><i>Does not include tube end plugs</i>         | 1        |
| 3b          | 003370      | One Arm Drive Camber Tube 12" Kit, Klik / Rogue / Rogue XP<br><i>Does not include tube end plugs</i> | 1        |
| 3c          | 003371      | One Arm Drive Camber Tube 13" Kit, Klik / Rogue / Rogue XP<br><i>Does not include tube end plugs</i> | 1        |
| 3d          | 003372      | One Arm Drive Camber Tube 14" Kit, Klik / Rogue / Rogue XP<br><i>Does not include tube end plugs</i> | 1        |
| 3e          | 003373      | One Arm Drive Camber Tube 15" Kit, Klik / Rogue / Rogue XP<br><i>Does not include tube end plugs</i> | 1        |
| 3f          | 003374      | One Arm Drive Camber Tube 16" Kit, Klik / Rogue / Rogue XP<br><i>Does not include tube end plugs</i> | 1        |
| 3g          | 003708      | One Arm Drive Camber Tube 17" Kit, Klik / Rogue / Rogue XP<br><i>Does not include tube end plugs</i> | 1        |
| 3h          | 003709      | One Arm Drive Camber Tube 18" Kit, Klik / Rogue / Rogue XP<br><i>Does not include tube end plugs</i> | 1        |
| 24          | 100532      | Tube End Plug 1 1/8"   | 2        |

| DRIVE SHAFT LENGTH BY CONFIGURATION |               |  |   |             |
|-------------------------------------|---------------|--|---|-------------|
| ROGUE SEAT WIDTH                    | WHEEL SPACING | CAMBER   | DESCRIPTION   | PART NUMBER |
| SEAT WIDTH 11"                      | 1.75          | 0  | QUICK RELEASE OAD ZERO CAMBER DRIVE SHAFT 177-255MM | ~111503     |
|                                     | .75, 1        | 2  | QUICK RELEASE OAD CAMBER DRIVE SHAFT 170-195MM      | #111858     |
|                                     | 1.25          | 2  | QUICK RELEASE OAD CAMBER DRIVE SHAFT 180-210MM      | #111627     |
|                                     | 1.5           | 2  | QUICK RELEASE OAD CAMBER DRIVE SHAFT 195-235MM      | #111628     |
|                                     | 1.75          | 2  | QUICK RELEASE OAD CAMBER DRIVE SHAFT 195-235MM      | ~111628     |
|                                     | 1             | 4  | QUICK RELEASE OAD CAMBER DRIVE SHAFT 195-235MM      | #111628     |
|                                     | 1.25          | 4  | QUICK RELEASE OAD CAMBER DRIVE SHAFT 220-280MM      | ~111498     |
| SEAT WIDTH 12"                      | 1.5           | 0  | QUICK RELEASE OAD ZERO CAMBER DRIVE SHAFT 177-255MM | 111503      |
|                                     | 1.75          | 0  | QUICK RELEASE OAD ZERO CAMBER DRIVE SHAFT 177-255MM | ~111503     |
|                                     | .75, 1        | 2  | QUICK RELEASE OAD CAMBER DRIVE SHAFT 180-210MM      | #111627     |
|                                     | 1.25, 1.5     | 2  | QUICK RELEASE OAD CAMBER DRIVE SHAFT 195-235MM      | 111628      |
|                                     | 1.75          | 2  | QUICK RELEASE OAD CAMBER DRIVE SHAFT 220-280MM      | ~111498     |
|                                     | 0.75          | 4  | QUICK RELEASE OAD CAMBER DRIVE SHAFT 195-235MM      | 111628      |
|                                     | 1             | 4  | QUICK RELEASE OAD CAMBER DRIVE SHAFT 220-280MM      | ~111498     |
| 1.25                                | 4             | QUICK RELEASE OAD CAMBER DRIVE SHAFT 220-280MM | ~111498   |             |
| SEAT WIDTH 13"                      | 1, 1.25, 1.5  | 0  | QUICK RELEASE OAD ZERO CAMBER DRIVE SHAFT 177-255MM | 111503      |
|                                     | 1.75          | 0  | QUICK RELEASE OAD ZERO CAMBER DRIVE SHAFT 225-295MM | ~111504     |
|                                     | .75, 1        | 2  | QUICK RELEASE OAD CAMBER DRIVE SHAFT 195-235MM      | 111628      |
|                                     | 1.25, 1.5     | 2  | QUICK RELEASE OAD CAMBER DRIVE SHAFT 220-280MM      | 111498      |
|                                     | 1.75          | 2  | QUICK RELEASE OAD CAMBER DRIVE SHAFT 220-280MM      | ~111498     |
|                                     | 0.75          | 4  | QUICK RELEASE OAD CAMBER DRIVE SHAFT 220-280MM      | 111498      |
|                                     | 1             | 4  | QUICK RELEASE OAD CAMBER DRIVE SHAFT 220-280MM      | ~111498     |
| 1.25                                | 4             | QUICK RELEASE OAD CAMBER DRIVE SHAFT 270-330MM | ~111499   |             |
| SEAT WIDTH 14"                      | 1, 1.25       | 0  | QUICK RELEASE OAD ZERO CAMBER DRIVE SHAFT 177-255MM | 111503      |
|                                     | 1.5           | 0  | QUICK RELEASE OAD ZERO CAMBER DRIVE SHAFT 225-295MM | 111504      |
|                                     | 1.75          | 0  | QUICK RELEASE OAD ZERO CAMBER DRIVE SHAFT 225-295MM | ~111504     |
|                                     | .75, 1, 1.25  | 2  | QUICK RELEASE OAD CAMBER DRIVE SHAFT 220-280MM      | 111498      |
|                                     | 1.5           | 2  | QUICK RELEASE OAD CAMBER DRIVE SHAFT 270-330MM      | #111499     |
|                                     | 1.75          | 2  | QUICK RELEASE OAD CAMBER DRIVE SHAFT 270-330MM      | ~111499     |
|                                     | 0.75          | 4  | QUICK RELEASE OAD CAMBER DRIVE SHAFT 270-330MM      | #111499     |
| 1                                   | 4             | QUICK RELEASE OAD CAMBER DRIVE SHAFT 270-330MM | ~111499   |             |
| 1.25                                | 4             | QUICK RELEASE OAD CAMBER DRIVE SHAFT 270-330MM | ~111499   |             |
| SEAT WIDTH 15"                      | 1, 1.25, 1.5  | 0  | QUICK RELEASE OAD ZERO CAMBER DRIVE SHAFT 225-295MM | 111504      |
|                                     | 1.75          | 0  | QUICK RELEASE OAD ZERO CAMBER DRIVE SHAFT 260-370MM | ~111505     |
|                                     | 0.75          | 2  | QUICK RELEASE OAD CAMBER DRIVE SHAFT 220-280MM      | 111498      |
|                                     | 1             | 2  | QUICK RELEASE OAD CAMBER DRIVE SHAFT 270-330MM      | #111499     |
|                                     | 1.25, 1.5     | 2  | QUICK RELEASE OAD CAMBER DRIVE SHAFT 270-330MM      | 111499      |
|                                     | 1.75          | 2  | QUICK RELEASE OAD CAMBER DRIVE SHAFT 295-370MM      | ~111500     |
|                                     | 0.75          | 4  | QUICK RELEASE OAD CAMBER DRIVE SHAFT 270-330MM      | 111499      |
| 1                                   | 4             | QUICK RELEASE OAD CAMBER DRIVE SHAFT 295-370MM | ~111500   |             |
| 1.25                                | 4             | QUICK RELEASE OAD CAMBER DRIVE SHAFT 295-370MM | ~111500   |             |

| Rogue No-Go Configurations |        |               |                  |
|----------------------------|--------|---------------|------------------|
| Wheel Size                 | Camber | Wheel Spacing | Rear Seat Height |
| 24                         | 0      | 1             | 14.5             |
| 24                         | 0      | 1             | 15               |
| 24                         | 0      | 1             | 15.5             |
| 22                         | 0      | 1             | 14.5             |
| 22                         | 0      | 1             | 15               |
| 22                         | 0      | 1             | 15.5             |
| 20                         | 0      | 1             | 12.5             |
| 20                         | 0      | 1             | 13               |

Seat width less than 16" + any rear wheel camber + any 5th wheel = N/A with QR OAD

#For this configuration, one wheel must be removed before the driveshaft can be installed. The second wheel can be installed  
 ~For this configuration, tower assemblies are to be mounted outboard of the frame.  
 NOTE: Tower assemblies must be mounted outboard of the frame when offset frames are used.  
 NOTE: 1.25" minimum wheel spacing is required when side guards are used.

| DRIVE SHAFT LENGTH BY CONFIGURATION |                    |        |   |             |
|-------------------------------------|--------------------|--------|---|-------------|
| ROGUE SEAT WIDTH                    | WHEEL SPACING      | CAMBER | DESCRIPTION   | PART NUMBER |
| SEAT WIDTH 16"                      | 1                  | 0      | QUICK RELEASE OAD ZERO CAMBER DRIVE SHAFT 225-295MM | 111504      |
|                                     | 1.25, 1.5          | 0      | QUICK RELEASE OAD ZERO CAMBER DRIVE SHAFT 260-370MM | 111505      |
|                                     | 1.75               | 0      | QUICK RELEASE OAD ZERO CAMBER DRIVE SHAFT 260-370MM | ~111505     |
|                                     | .75, 1             | 2      | QUICK RELEASE OAD CAMBER DRIVE SHAFT 270-330MM      | 111499      |
|                                     | 1.25, 1.5          | 2      | QUICK RELEASE OAD CAMBER DRIVE SHAFT 295-370MM      | 111500      |
|                                     | 1.75               | 2      | QUICK RELEASE OAD CAMBER DRIVE SHAFT 295-370MM      | ~111500     |
|                                     | 0.75               | 4      | QUICK RELEASE OAD CAMBER DRIVE SHAFT 295-370MM      | 111500      |
|                                     | 1                  | 4      | QUICK RELEASE OAD CAMBER DRIVE SHAFT 295-370MM      | ~111500     |
|                                     | 1.25               | 4      | QUICK RELEASE OAD CAMBER DRIVE SHAFT 295-370MM      | ~111500     |
| SEAT WIDTH 17"                      | 1, 1.25, 1.5       | 0      | QUICK RELEASE OAD ZERO CAMBER DRIVE SHAFT 260-370MM | 111505      |
|                                     | 1.75               | 0      | QUICK RELEASE OAD ZERO CAMBER DRIVE SHAFT 330-440MM | ~111506     |
|                                     | .75, 1, 1.25, 1.5  | 2      | QUICK RELEASE OAD CAMBER DRIVE SHAFT 295-370MM      | 111500      |
|                                     | 1.75               | 2      | QUICK RELEASE OAD CAMBER DRIVE SHAFT 350-460MM      | ~111501     |
|                                     | 0.75               | 4      | QUICK RELEASE OAD CAMBER DRIVE SHAFT 295-370MM      | 111500      |
|                                     | 1                  | 4      | QUICK RELEASE OAD CAMBER DRIVE SHAFT 350-460MM      | ~111501     |
|                                     | 1.25               | 4      | QUICK RELEASE OAD CAMBER DRIVE SHAFT 350-460MM      | ~111501     |
| SEAT WIDTH 18"                      | 1, 1.25            | 0      | QUICK RELEASE OAD ZERO CAMBER DRIVE SHAFT 260-370MM | 111505      |
|                                     | 1.5                | 0      | QUICK RELEASE OAD ZERO CAMBER DRIVE SHAFT 330-440MM | 111506      |
|                                     | 1.75               | 0      | QUICK RELEASE OAD ZERO CAMBER DRIVE SHAFT 330-440MM | ~111506     |
|                                     | .75, 1             | 2      | QUICK RELEASE OAD CAMBER DRIVE SHAFT 295-370MM      | 111500      |
|                                     | 1.25, 1.5          | 2      | QUICK RELEASE OAD CAMBER DRIVE SHAFT 350-460MM      | 111501      |
|                                     | 1.75               | 2      | QUICK RELEASE OAD CAMBER DRIVE SHAFT 350-460MM      | ~111501     |
|                                     | 0.75               | 4      | QUICK RELEASE OAD CAMBER DRIVE SHAFT 295-370MM      | 111500      |
|                                     | 1                  | 4      | QUICK RELEASE OAD CAMBER DRIVE SHAFT 350-460MM      | ~111501     |
|                                     | 1.25               | 4      | QUICK RELEASE OAD CAMBER DRIVE SHAFT 350-460MM      | ~111501     |
| SEAT WIDTH 19"                      | 1, 1.25, 1.5       | 0      | QUICK RELEASE OAD ZERO CAMBER DRIVE SHAFT 330-440MM | 111506      |
|                                     | 1.75               | 0      | QUICK RELEASE OAD ZERO CAMBER DRIVE SHAFT 330-440MM | ~111506     |
|                                     | 0.75               | 2      | QUICK RELEASE OAD CAMBER DRIVE SHAFT 220-280MM      | 111498      |
|                                     | 1                  | 2      | QUICK RELEASE OAD CAMBER DRIVE SHAFT 270-330MM      | 111499      |
|                                     | 1.25               | 2      | QUICK RELEASE OAD CAMBER DRIVE SHAFT 295-370MM      | 111500      |
|                                     | 1.5                | 2      | QUICK RELEASE OAD CAMBER DRIVE SHAFT 350-460MM      | 111501      |
|                                     | 1.75               | 2      | QUICK RELEASE OAD CAMBER DRIVE SHAFT 350-460MM      | ~111501     |
|                                     | 0.75               | 4      | QUICK RELEASE OAD CAMBER DRIVE SHAFT 350-460MM      | 111501      |
|                                     | 1                  | 4      | QUICK RELEASE OAD CAMBER DRIVE SHAFT 350-460MM      | ~111501     |
|                                     | 1.25               | 4      | QUICK RELEASE OAD CAMBER DRIVE SHAFT 350-460MM      | ~111501     |
| SEAT WIDTH 20"                      | 1, 1.25, 1.5       | 0      | QUICK RELEASE OAD ZERO CAMBER DRIVE SHAFT 330-440MM | 111506      |
|                                     | 1.75               | 0      | QUICK RELEASE OAD ZERO CAMBER DRIVE SHAFT 421-491MM | ~111507     |
|                                     | 0.75, 1, 1.25, 1.5 | 2      | QUICK RELEASE OAD CAMBER DRIVE SHAFT 350-460MM      | 111501      |
|                                     | 1.75               | 2      | QUICK RELEASE OAD CAMBER DRIVE SHAFT 420-530MM      | ~111502     |
|                                     | 0.75               | 4      | QUICK RELEASE OAD CAMBER DRIVE SHAFT 350-460MM      | 111501      |
|                                     | 1                  | 4      | QUICK RELEASE OAD CAMBER DRIVE SHAFT 420-530MM      | ~111502     |
|                                     | 1.25               | 4      | QUICK RELEASE OAD CAMBER DRIVE SHAFT 420-530MM      | ~111502     |

#For this configuration, one wheel must be removed before the driveshaft can be installed. The second wheel can be installed once

~For this configuration, tower assemblies are to be mounted outboard of the frame.

NOTE: Tower assemblies must be mounted outboard of the frame when offset frames are used.

NOTE: 1.25" minimum wheel spacing is required when side guards are used.

| DRIVE SHAFT CONFIGURATIONS FOR ROGUE WITH T-ARMS |               |        |   |             |
|--|---------------|--------|---|-------------|
| ROGUE SEAT WIDTH                                 | WHEEL SPACING | CAMBER | DESCRIPTION   | PART NUMBER |
| SEAT WIDTH 11"                                   | 1.75          | 0      | QUICK RELEASE OAD ZERO CAMBER DRIVE SHAFT 177-255MM | 111503      |
|  | 1.75          | 2      | QUICK RELEASE OAD CAMBER DRIVE SHAFT 195-235MM      | 111628      |
| SEAT WIDTH 12"                                   | 1.75          | 0      | QUICK RELEASE OAD ZERO CAMBER DRIVE SHAFT 177-255MM | 111503      |
|  | 1.75          | 2      | QUICK RELEASE OAD CAMBER DRIVE SHAFT 220-280MM      | 111498      |
| SEAT WIDTH 13"                                   | 1.75          | 0      | QUICK RELEASE OAD ZERO CAMBER DRIVE SHAFT 225-295MM | 111504      |
|  | 1.75          | 2      | QUICK RELEASE OAD CAMBER DRIVE SHAFT 220-280MM      | 111498      |
| SEAT WIDTH 14"                                   | 1.75          | 0      | QUICK RELEASE OAD ZERO CAMBER DRIVE SHAFT 225-295MM | 111504      |
|  | 1.75          | 2      | QUICK RELEASE OAD CAMBER DRIVE SHAFT 270-330MM      | 111499      |
| SEAT WIDTH 15"                                   | 1.75          | 0      | QUICK RELEASE OAD ZERO CAMBER DRIVE SHAFT 260-370MM | 111505      |
|  | 1.75          | 2      | QUICK RELEASE OAD CAMBER DRIVE SHAFT 295-370MM      | 111500      |
| SEAT WIDTH 16"                                   | 1.75          | 0      | QUICK RELEASE OAD ZERO CAMBER DRIVE SHAFT 260-370MM | 111505      |
|  | 1.75          | 2      | QUICK RELEASE OAD CAMBER DRIVE SHAFT 295-370MM      | 111500      |
| SEAT WIDTH 17"                                   | 1.75          | 0      | QUICK RELEASE OAD ZERO CAMBER DRIVE SHAFT 330-440MM | 111506      |
|  | 1.75          | 2      | QUICK RELEASE OAD CAMBER DRIVE SHAFT 350-460MM      | 111501      |
| SEAT WIDTH 18"                                   | 1.75          | 0      | QUICK RELEASE OAD ZERO CAMBER DRIVE SHAFT 330-440MM | 111506      |
|  | 1.75          | 2      | QUICK RELEASE OAD CAMBER DRIVE SHAFT 350-460MM      | 111501      |
| SEAT WIDTH 19"                                   | 1.75          | 0      | QUICK RELEASE OAD ZERO CAMBER DRIVE SHAFT 330-440MM | 111506      |
|  | 1.75          | 2      | QUICK RELEASE OAD CAMBER DRIVE SHAFT 350-460MM      | 111501      |
| SEAT WIDTH 20"                                   | 1.75          | 0      | QUICK RELEASE OAD ZERO CAMBER DRIVE SHAFT 421-491MM | 111507      |
|  | 1.75          | 2      | QUICK RELEASE OAD CAMBER DRIVE SHAFT 420-530MM      | 111502      |

NOTE: TOWER ASSEMBLIES ARE TO BE MOUNTED OUTBOARD OF THE FRAME WHEN T-ARMS ARE USED.