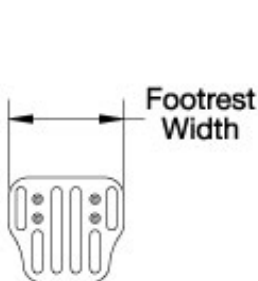
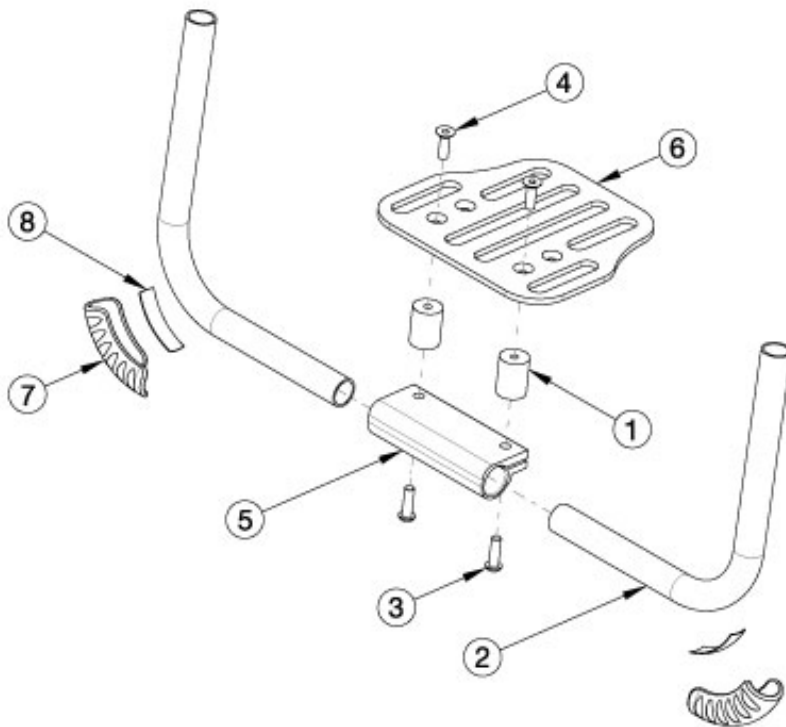
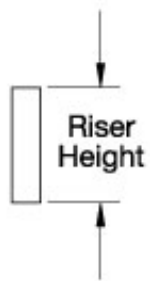


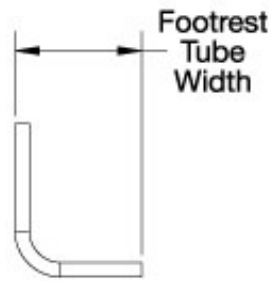
# Rogue2 Footrest - Aluminum Angle Adjustable with Riser



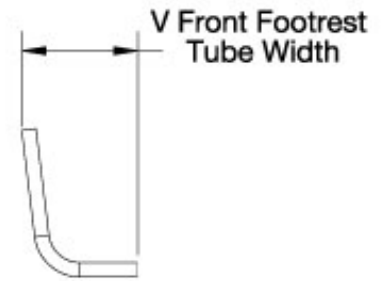
Footrest	
Part No.	Width
000225	6.0"
001322	7.0"
000226	8.0"
001323	9.0"
000227	10.0"
001319	12.0"



Riser	
Part No.	Height
000598	1.0"
000599	2.0"
000600	3.0"
000601	4.0"
000602	5.0"



Footrest Tube	
Part No.	Width
000221	5.6"
000222	6.6"
000223	7.6"
000224	8.6"
000625	10.6"



V Front Footrest Tube		
Part No.	Angle	Width
004118	7°	6"
004373	7°	5.8"
113195	3.5°	6"
113252	3.5°	5.9"

Risers are not included within the assembly listed below. If changing from a high mount footrest to a frame inserted footrest, please see the "Rogue2 Rigid Frame" page for necessary hardware.

Item Number	Part Number	Description	Quantity
2a, 3-5, 6b	117563	Angle Adjustable Footrest Assembly 12" wide, 1" Riser, Rogue2	1

Item Number	Part Number	Description	Quantity
		<i>Used on 12" wide with 0" taper, 14" wide with 1" taper, or 16" wide with 2" taper</i>	
2a, 3-5, 6c	117564	Angle Adjustable Footrest Assembly 13" wide, 1" Riser, Rogue2 <i>Used on 13" wide with 0" taper, 15" wide with 1" taper, or 17" wide with 2" taper</i>	1
2b, 3-5, 6d	117565	Angle Adjustable Footrest Assembly 14" wide, 1" Riser, Rogue2 <i>Used on 14" wide with 0" taper, 16" wide with 1" taper, or 18" wide with 2" taper</i>	1
2b, 3-5, 6e	117566	Angle Adjustable Footrest Assembly 15" wide, 1" Riser, Rogue2 <i>Used on 15" wide with 0" taper, 17" wide with 1" taper, or 19" wide with 2" taper</i>	1
2c, 3-5, 6e	117567	Angle Adjustable Footrest Assembly 16-17" wide, 1" Riser, Rogue2 <i>Used on 16-17" wide with 0" taper, 18-19" wide with 1" taper, or 20" wide with 2" taper</i>	1
2d, 3-5, 6f	117568	Angle Adjustable Footrest Assembly 18-19" wide, 1" Riser, Rogue2 <i>Used on 18-19" wide with 0" taper or 20" wide with 1" taper</i>	1
2e, 3-5, 6f	117569	Angle Adjustable Footrest Assembly 20" wide, 1" Riser, Rogue2 <i>used on 20" wide with 0" taper</i>	1
2a, 3-5, 6b	117555	Angle Adjustable Footrest Assembly 11" wide, 2-5" Riser, Rogue2 <i>Used on 13" wide with 1" taper or 15" wide with 2" taper.</i>	1
2a, 3-5, 6c	117556	Angle Adjustable Footrest Assembly 12" wide, 2-5" Riser, Rogue2 <i>Used on 12" wide with 0" taper, or 14" wide with 1" taper, or 16" wide with 2" taper.</i>	1
2a, 3-5, 6d	117557	Angle Adjustable Footrest Assembly 13" wide, 2-5" Riser, Rogue2 <i>Used on 13" wide with 0" taper, or 15" wide with 1" taper, or 17" wide with 2" taper.</i>	1
2b, 3-5, 6e	117558	Angle Adjustable Footrest Assembly 14-15" wide, 2-5" Riser, Rogue2 <i>Used on 14-15" wide with 0" taper, or 16-17" wide with 1" taper, or 18-19" wide with 2" taper.</i>	1
2c, 3-5, 6e	117559	Angle Adjustable Footrest Assembly 16" wide, 2-5" Riser, Rogue2 <i>Used on 16" wide with 0" taper, or 18" wide with 1" taper, or 20" wide with 2" taper.</i>	1
2c, 3-5, 6f	117560	Angle Adjustable Footrest Assembly 17" wide, 2-5" Riser, Rogue2 <i>Used on 17" wide with 0" taper or 19" wide with 1" taper.</i>	1
2d, 3-5, 6f	117561	Angle Adjustable Footrest Assembly 18-19" wide, 2-5" Riser, Rogue2 <i>Used on 18-19" wide with 0" taper or 20" wide with 1" taper.</i>	1
2e, 3-5, 6f	117562	Angle Adjustable Footrest Assembly 20" wide, 2-5" Riser, Rogue2 <i>Used on 20" wide with 0" taper.</i>	1
2h, 3-5, 6a	117551	Angle Adjustable Footrest Assembly for Riser, 12" wide, 3.5V Front, Standard, Rogue2 <i>Used on 12" widths with 8-13.5" seat to footrest lengths.</i>	1
2i, 3-5, 6a	117552	Angle Adjustable Footrest Assembly for Riser, 12-13" wide, 3.5V Front, Short, Rogue2	1

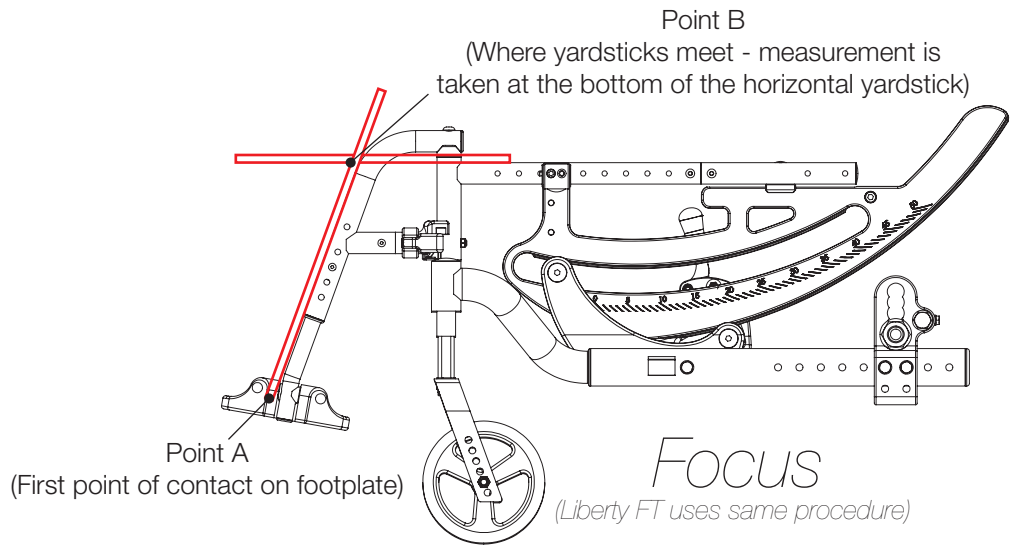
Item Number	Part Number	Description	Quantity
		<i>Used on 12" widths with 14-14.5" seat to footrest lengths or 13" widths with 16-19.5" seat to footrest lengths.</i>	
2h, 3-5, 6b	117553	Angle Adjustable Footrest Assembly for Riser, 13" wide, 3.5V Front, Standard, Rogue2 <i>Used on 13" widths with 8.5-13.5" seat to footrest lengths.</i>	1
2i, 3-5, 6b	117554	Angle Adjustable Footrest Assembly for Riser 13-14" wide, 3.5V Front, Short, Rogue2 <i>Used on 13" widths with 14-16" seat to footrest lengths or 14" widths with 18-19.5" seat to footrest lengths.</i>	1
2h, 3-5, 6c	117570	Angle Adjustable Footrest Assembly for Riser, 13-14" wide, 3.5V Front, Standard, Rogue2 <i>Used on 13" widths with 8" seat to footrest lengths or 14" widths with 10-13.5" seat to footrest lengths.</i>	1
2i, 3-5, 6c	117571	Angle Adjustable Footrest Assembly for Riser, 14" wide, 3.5V Front, Short, Rogue2 <i>Used on 14" widths with 14-17.5" seat to footrest lengths.</i>	1
2h, 3-5, 6d	117572	Angle Adjustable Footrest Assembly for Riser, 14-15" wide, 3.5V Front, Standard, Rogue2 <i>Used on 14" widths with 8-9.5" seat to footrest lengths or 15" widths and 11.5-13.5" seat to footrest lengths.</i>	1
2i, 3-5, 6d	117573	Angle Adjustable Footrest Assembly for Riser, 15" wide, 3.5V Front, Short, Rogue2 <i>Used on 15" widths with 14-19.5" seat to footrest lengths.</i>	1
2h, 3-5, 6e	117574	Angle Adjustable Footrest Assembly for Riser, 15-16" wide, 3.5V Front, Standard, Rogue2 <i>Used on 15" widths with 8-11" seat to footrest lengths or 16" widths with 8-13.5" seat to footrest lengths.</i>	1
2i, 3-5, 6e	117575	Angle Adjustable Footrest Assembly for Riser, 16" wide, 3.5V Front, Short, Rogue2 <i>Used on 16" widths with 13.5-19.5" seat to footrest lengths.</i>	1
2h, 3-5, 6f	117576	Angle Adjustable Footrest Assembly for Riser, 17-20" wide, 3.5V Front, Standard, Rogue2 <i>Used on 17" or 18" widths with 8-13.5" seat to footrest lengths.</i>	1
2i, 3-5, 6f	117577	Angle Adjustable Footrest Assembly for Riser, 17-20" wide, 3.5V Front, Short, Rogue2 <i>Used on 17" widths with 14-14.5" seat to footrest lengths or 18-20" widths with 14-19.5" seat to footrest lengths.</i>	1
2f, 3-5, 6a	117578	Angle Adjustable Footrest Assembly for Riser, 12-13" wide, 7V Front, Standard, Rogue2 <i>Used on 12" widths with 8-9.5" seat to footrest lengths or 13" widths with 10-11" seat to footrest lengths.</i>	1
2g, 3-5, 6a	117579	Angle Adjustable Footrest Assembly for Riser, 13-15" wide, 7V Front, Short, Rogue2 <i>Used on 13" widths with 11.5-13.5" seat to footrest lengths, 14" widths with 14-17.5" seat to footrest lengths, or 15" widths with 18-19.5" seat to footrest lengths.</i>	1
2f, 3-5, 6b	117580	Angle Adjustable Footrest Assembly for Riser, 13-14" wide, 7V Front, Standard, Rogue2 <i>Used on 13" widths with 8-9.5" seat to footrest lengths or 14" widths with 10-11" seat to footrest lengths.</i>	1
2g, 3-5, 6b	117581	Angle Adjustable Footrest Assembly for Riser, 14-16" wide, 7V Front, Short, Rogue2 <i>Used on 14" widths with 11.5-13.5" seat to footrest lengths, 15" widths with 14-17.5" seat to footrest lengths, or 16" widths with 18-19.5" seat to footrest lengths.</i>	1
2f, 3-5, 6c	117582	Angle Adjustable Footrest Assembly for Riser, 14-15" wide, 7V Front, Standard, Rogue2	1

Item Number	Part Number	Description	Quantity
		<i>Used on 14" widths with 8-9.5" seat to footrest lengths or 15" widths with 10-11" seat to footrest lengths.</i>	
2g, 3-5, 6c	117583	Angle Adjustable Footrest Assembly for Riser, 15-17" wide, 7V Front, Short, Rogue2 <i>Used on 15" widths with 11.5-13.5" seat to footrest lengths, 16" widths with 14-17.5" seat to footrest lengths, or 17" widths with 18-19.5" seat to footrest lengths.</i>	1
2f, 3-5, 6d	117584	Angle Adjustable Footrest Assembly for Riser, 15-16" wide, 7V Front, Standard, Rogue2 <i>Used on 15" widths with 8-9.5" seat to footrest lengths or 16" widths with 10-11" seat to footrest lengths.</i>	1
2g, 3-5, 6d	117585	Angle Adjustable Footrest Assembly for Riser, 16-18" wide, 7V Front, Short, Rogue2 <i>Used on 16" widths with 11.5-13.5" seat to footrest lengths, 17" widths with 14-17.5" seat to footrest lengths, or 18" widths with 18-19.5" seat to footrest lengths.</i>	1
2f, 3-5, 6e	117586	Angle Adjustable Footrest Assembly for Riser, 16-18" wide, 7V Front, Standard, Rogue2 <i>Used on 16" widths with 8-9.5" seat to footrest lengths, 17" widths with 8-11" seat to footrest lengths, or 18" widths with 10-11" seat to footrest lengths.</i>	1
2g, 3-5, 6e	117587	Angle Adjustable Footrest Assembly for Riser, 17-20" wide, 7V Front, Short, Rogue2 <i>Used on 17" widths with 11.5-13.5" seat to footrest lengths, 18" widths with 11.5-17.5" seat to footrest lengths, 19" widths with 14-19.5" seat to footrest lengths, or 20" widths with 18-19.5" seat to footrest lengths.</i>	1
2f, 3-5, 6f	117588	Angle Adjustable Footrest Assembly for Riser, 18-20" wide, 7V Front, Standard, Rogue2 <i>Used on 18" widths with 8-9.5" seat to footrest lengths, 19" widths with 8-11" seat to footrest lengths, or 20" widths with 8-11" seat to footrest lengths.</i>	1
2g, 3-5, 6f	117589	Angle Adjustable Footrest Assembly for Riser, 19-20" wide, 7V Front, Short, Rogue2 <i>Used on 19" widths with 11.5-13.5" seat to footrest lengths or 20" widths with 11.5-17.5" seat to footrest lengths.</i>	1
1a, 3a, 4a	502321	Rigid Footplate Riser 1" w/ Hardware Assembly, PAIR	1
1b, 3a, 4a	502322	Rigid Footplate Riser 2" w/ Hardware Assembly, PAIR	1
1c, 3a, 4a	502323	Rigid Footplate Riser 3" w/ Hardware Assembly, PAIR	1
1d, 3a, 4a	502324	Rigid Footplate Riser 4" w/ Hardware Assembly, PAIR	1
1e, 3a, 4a	502325	Rigid Footplate Riser 5" w/ Hardware Assembly, PAIR	1
7, 8	501739	Footrest Protector w/ Instructions Kit Left Rigid	1
7, 8	501740	Footrest Protector w/ Instructions Kit Right Rigid	1
7, 8	501741	Footrest Protector w/ Instructions Kit PAIR Rigid	1
1a	000598	Rigid Footplate Riser 1"	2
1b	000599	Rigid Footplate Riser 2"	2
1c	000600	Rigid Footplate Riser 3"	2

Item Number	Part Number	Description	Quantity
1d	000601	Rigid Footplate Riser 4"	2
1e	000602	Rigid Footplate Riser 5"	2
2a	000221	Footrest Tube Angle Adjustable 5.6" Rigid <i>used on 12-13" wide with 0" taper, 12-15" wide with 1" taper, and 14-17" wide with 2" taper</i>	2
2b	000222	Footrest Tube Angle Adjustable 6.6" Rigid <i>used on 14-15" wide with 0" taper, 16-17" wide with 1" taper, and 18-19" wide with 2" taper</i>	2
2c	000223	Footrest Tube Angle Adjustable 7.6" Rigid <i>used on 16-17" wide with 0" taper, 18-19" wide with 1" taper, and 20" wide with 2" taper</i>	2
2d	000224	Footrest Tube Angle Adjustable 8.6" Rigid <i>used on 18-19" wide with 0" taper, 20" wide with 1" taper</i>	2
2e	000625	Footrest Tube Angle Adjustable 10.6" Rigid <i>used on 20" wide with 0" taper</i>	2
2f	004118	V Front Footrest Tube, Standard <i>Used with 8-11" seat to footrest lengths with 7 degree V front footrests</i>	2
2g	004373	V Front Footrest Tube, Short <i>Used with 11.5" or greater seat to footrest lengths with 7 degree V front footrests</i>	2
2h	113195	V Front Footrest Tube 3.5 Degree, Standard <i>Used with 8-13.5" seat to footrest lengths with 3.5 degree V front footrests</i>	2
2i	113252	V Front Footrest Tube 3.5 Degree, Short <i>Used with 14" or greater seat to footrest lengths with 3.5 degree V front footrests</i>	2
3	101180	M6 x 20 SHCS BLK ZC	2
4	101594	M6 x 14 CLS10.9 DIN7991 FSHCS BLKZC w/Patch	2
5	100789	Footrest Adjustable Clamp 5"	1
6a	000225	Footrest Platform Angle Adjustable 6"	1
6b	001322	Footrest Platform Angle Adjustable 7"	1
6c	000226	Footrest Platform Angle Adjustable 8"	1
6d	001323	Footrest Platform Angle Adjustable 9"	1
6e	000227	Footrest Platform Angle Adjustable 10"	1
6f	001319	Footrest Platform Angle Adjustable 12"	1

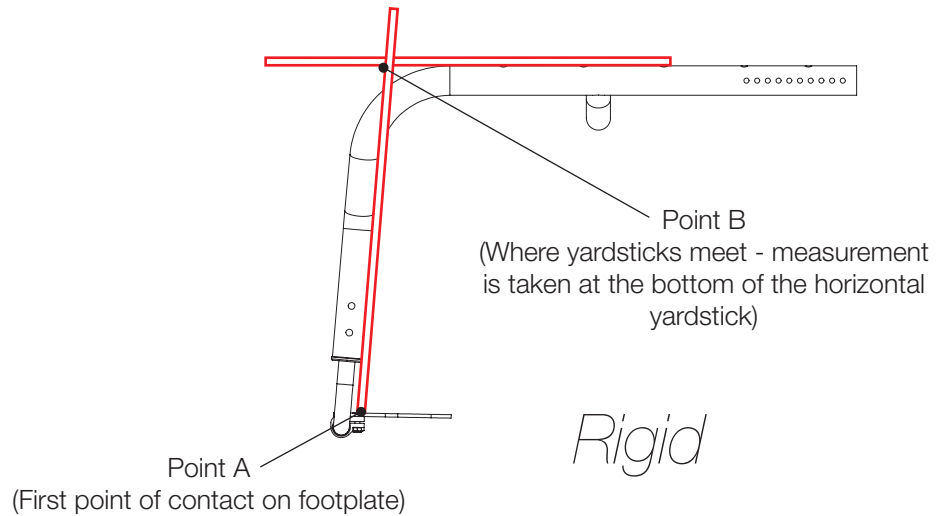
Distance between Point A and Point B = Footplate Length

**NOTE:** The yardstick on the top plane of the seat frame must lie flat against frame. The yardstick going from the footplate to the second yardstick must be square against the hanger tube.



Distance between Point A and Point B = Footplate Length

**NOTE:** The yardstick on the top plane of the seat frame must lie flat against frame. The yardstick going from the footplate to the second yardstick must be square against the front tube.



Distance between Point A and Point B = Footplate Length

**NOTE:** The yardstick on the top plane of the hanger must lie flat against hanger. The yardstick going from the footplate to the second yardstick must be square against the hanger tube.

