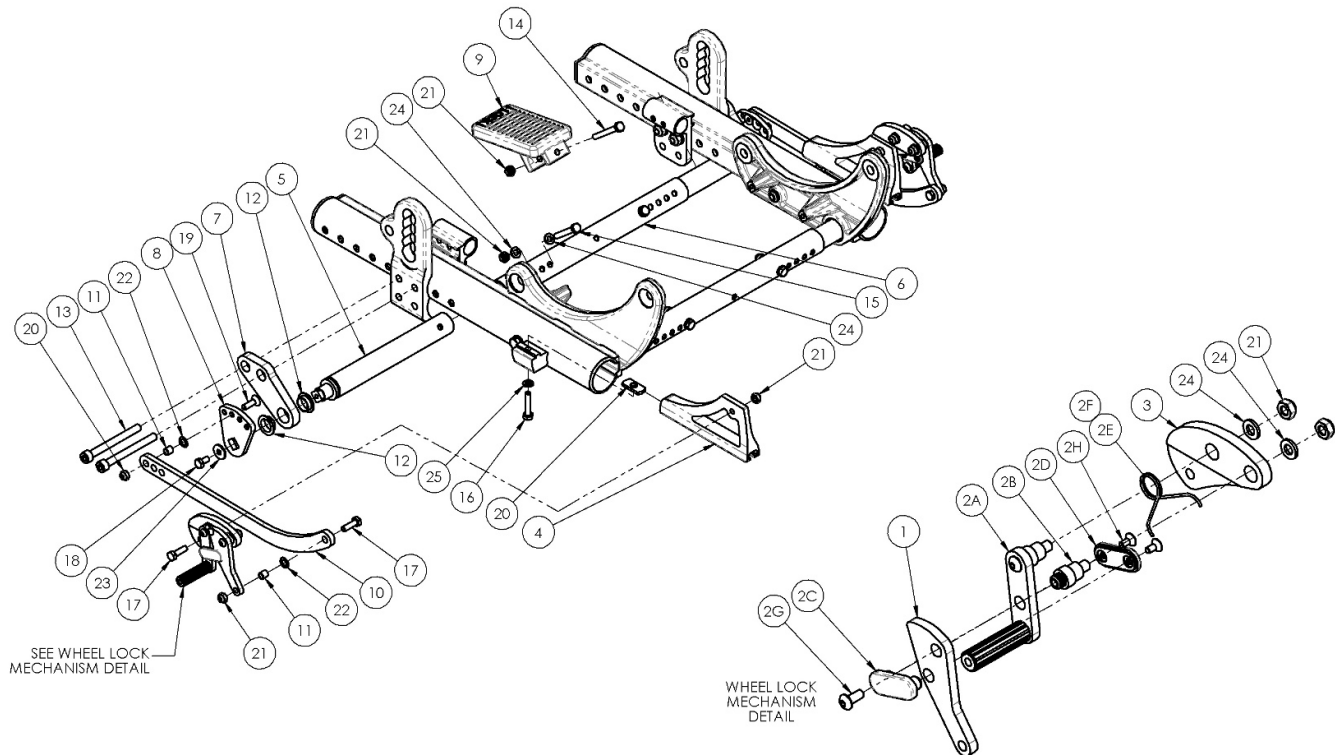


# Discontinued Focus CR Attendant Foot Lock



*This Focus CR attendant Foot Lock is discontinued. Please contact Customer Service for more information.*

Item Number	Part Number	Description	Quantity
7a, 12	501121	Foot Lock Mount Assembly w/ Bearing Right Focus	1
7b, 12	501122	Foot Lock Mount Assembly w/ Bearing Left Focus	1
6a, 15, 21, 24	501123	Base/Axle/Foot Lock Strut Assembly Small Focus	1
6b, 15, 21, 24	501124	Base/Axle/Foot Lock Strut Assembly Medium Focus	1
6c, 15, 21, 24	501125	Base/Axle/Foot Lock Strut Assembly Large Focus	1
1a, 2A-2H	001142	Wheel Lock Foot Right Tilt	1
1b, 2A - 2H	001143	Wheel Lock Foot Left Tilt	1
4a	001138	Plate Wheel Lock Right Tilt	1
4b	001139	Plate Wheel Lock Left Tilt	1
5	001145	Strut Foot Lock Tilt	2

Item Number	Part Number	Description	Quantity
6a	001011	Growth Strut, Base, Small Tilt	1
6b	001012	Growth Strut, Base, Medium Tilt	1
6c	001013	Growth Strut, Base, Large Tilt	1
8	001150	Index Plate Foot Lock Tilt	2
11	001156	Pivot Bushing Tilt	4
12	001157	IGUS Bushing GFM-1618-06	4
13a	101851	M8 x 80 SHCS Blk Zn	4
13b	101852	M8 x 90 SHCS Blk Zn	4
14	101826	M6 x 50 HHCS Blk Zn	1
15	101825	M6 x 40 HHCS Blk Zn	2
16	101824	M6 X 30 Hhcs Blk Zn	2
17	101823	M6 X 20 Hhcs Blk Zn	6
18	101822	M6 x 12 HHCS BLKZC w/Patch	2
19	100866	M6 x 20 CLS12.9 DIN7991 FSHCS Blk Zc w/Patch	2
20	001141	Weld Nut NDM 06028 Zinc	2
21	100658	M6 Nylock Nut Blk Zn	13
22	101861	Nylon Washer 5/16 x 1/2 x .03	4
23	101853	M6 Washer Blk Zn	2
24	100746	M6 Flat Washer Blk Zn	8
25	101835	M6 Lock Washer Blk Zn	2