

SELECTION GUIDE

	ICON™ LOW BACK	ICON™ MID BACK	ICON™ TALL BACK	ICON™ DEEP BACK
Cushion Composition	Air-Foam Floatation	Air-Foam Floatation	Air-Foam Floatation	Air-Foam Floatation
Shell Composition	aluminum	aluminum	aluminum	aluminum
Hardware Composition	metal	metal	metal	metal
Cover Type	spacer knit	spacer knit	spacer knit	spacer knit
Enhanced Rollover Cover				
Valve Type	standard	standard	standard	standard
Back Angle Recline	20°	20°	20°	20°
Attachment Points	two	two	two	two
Lower Trunk Positioning				
Upper Trunk Positioning				
Lateral Trunk Positioning				
Lateral Support Compatible				
Weight (18 in./45 cm) (includes all hardware)	3.4 lbs (1.5 kg)	4.3 lbs (1.9 kg)	5.5 lbs (2.5 kg)	6.4 lbs (2.9 kg)
Maximum User Weight	300 lbs (136 kg)	300 lbs (136 kg) 400 lbs (181 kg) Bariatric Sizes	300 lbs (136 kg)	300 lbs (136 kg)
Pediatric Sizes				
Bariatric Sizes				
HCPCS Code	E2613	E2615/E2616	E2615	E2620



VARILITE

A Division of Cascade Designs, Inc.

4000 1st Avenue South
Seattle, WA 98134
Phone: (800) 827-4548
Fax: (206) 343-5795
www.varilite.com

Authorized EU Representative:
Cascade Designs, Limited
Dwyer Road, Middleton, Co. Cork
Republic of Ireland



© 2010 Cascade Designs, Inc. 70-030

RACESHOP
 VEN
 SHOP
 RE
 DE
 P
 L
 A
 Y
 S
 W
 I
 M
 S
 K
 I
 D
 A
 N
 C
 E
 C
 L
 I
 B
 R
 A
 R
 Y
 R
 A
 F
 T
 H
 I
 K
 E
 N
 O
 V
 E
 H
 U
 G
 C
 R
 Y
 R
 A
 F
 T
 H
 I
 K
 E
 N
 O
 V
 E
 H
 U
 G
 C
 R
 Y
 R
 A
 F
 T
 H
 I
 K
 E
 N
 O
 V
 E
 H
 U
 G
 C
 R
 Y
 R
 A
 F
 T
 H
 I
 K
 E
 N
 O
 V
 E
 H
 U
 G
 C
 R
 Y
 R
 A
 F
 T
 H
 I
 K
 E
 N
 O
 V
 E
 H
 U
 G
 C
 R
 Y
 R
 A
 F
 T
 H
 I
 K
 E
 N
 O
 V
 E
 H
 U
 G
 C
 R
 Y
 R
 A
 F
 T
 H
 I
 K
 E
 N
 O
 V
 E
 H
 U
 G
 C
 R
 Y
 R
 A
 F
 T
 H
 I
 K
 E
 N
 O
 V
 E
 H
 U
 G
 C
 R
 Y
 R
 A
 F
 T
 H
 I
 K
 E
 N
 O
 V
 E
 H
 U
 G
 C
 R
 Y
 R
 A
 F
 T
 H
 I
 K
 E
 N
 O
 V
 E
 H
 U
 G
 C
 R
 Y
 R
 A
 F
 T
 H
 I
 K
 E
 N
 O
 V
 E
 H
 U
 G
 C
 R
 Y
 R
 A
 F
 T
 H
 I
 K
 E
 N
 O
 V
 E
 H
 U
 G
 C
 R
 Y
 R
 A
 F
 T
 H
 I
 K
 E
 N
 O
 V
 E
 H
 U
 G
 C
 R
 Y
 R
 A
 F
 T
 H
 I
 K
 E
 N
 O
 V
 E
 H
 U
 G
 C
 R
 Y
 R
 A
 F
 T
 H
 I
 K
 E
 N
 O
 V
 E
 H
 U
 G
 C
 R
 Y
 R
 A
 F
 T
 H
 I
 K
 E
 N
 O
 V
 E
 H
 U
 G
 C
 R
 Y
 R
 A
 F
 T
 H
 I
 K
 E
 N
 O
 V
 E
 H
 U
 G
 C
 R
 Y
 R
 A
 F
 T
 H
 I
 K
 E
 N
 O
 V
 E
 H
 U
 G
 C
 R
 Y
 R
 A
 F
 T
 H
 I
 K
 E
 N
 O
 V
 E
 H
 U
 G
 C
 R
 Y
 R
 A
 F
 T
 H
 I
 K
 E
 N
 O
 V
 E
 H
 U
 G
 C
 R
 Y
 R
 A
 F
 T
 H
 I
 K
 E
 N
 O
 V
 E
 H
 U
 G
 C
 R
 Y
 R
 A
 F
 T
 H
 I
 K
 E
 N
 O
 V
 E
 H
 U
 G
 C
 R
 Y
 R
 A
 F
 T
 H
 I
 K
 E
 N
 O
 V
 E
 H
 U
 G
 C
 R
 Y
 R
 A
 F
 T
 H
 I
 K
 E
 N
 O
 V
 E
 H
 U
 G
 C
 R
 Y
 R
 A
 F
 T
 H
 I
 K
 E
 N
 O
 V
 E
 H
 U
 G
 C
 R
 Y
 R
 A
 F
 T
 H
 I
 K
 E
 N
 O
 V
 E
 H
 U
 G
 C
 R
 Y
 R
 A
 F
 T
 H
 I
 K
 E
 N
 O
 V
 E
 H
 U
 G
 C
 R
 Y
 R
 A
 F
 T
 H
 I
 K
 E
 N
 O
 V
 E
 H
 U
 G
 C
 R
 Y
 R
 A
 F
 T
 H
 I
 K
 E
 N
 O
 V
 E
 H
 U
 G
 C
 R
 Y
 R
 A
 F
 T
 H
 I
 K
 E
 N
 O
 V
 E
 H
 U
 G
 C
 R
 Y
 R
 A
 F
 T
 H
 I
 K
 E
 N
 O
 V
 E
 H
 U
 G
 C
 R
 Y
 R
 A
 F
 T
 H
 I
 K
 E
 N
 O
 V
 E
 H
 U
 G
 C
 R
 Y
 R
 A
 F
 T
 H
 I
 K
 E
 N
 O
 V
 E
 H
 U
 G
 C
 R
 Y
 R
 A
 F
 T
 H
 I
 K
 E
 N
 O
 V
 E
 H
 U
 G
 C
 R
 Y
 R
 A
 F
 T
 H
 I
 K
 E
 N
 O
 V
 E
 H
 U
 G
 C
 R
 Y
 R
 A
 F
 T
 H
 I
 K
 E
 N
 O
 V
 E
 H
 U
 G
 C
 R
 Y
 R
 A
 F
 T
 H
 I
 K
 E
 N
 O
 V
 E
 H
 U
 G
 C
 R
 Y
 R
 A
 F
 T
 H
 I
 K
 E
 N
 O
 V
 E
 H
 U
 G
 C
 R
 Y
 R
 A
 F
 T
 H
 I
 K
 E
 N
 O
 V
 E
 H
 U
 G
 C
 R
 Y
 R
 A
 F
 T
 H
 I
 K
 E
 N
 O
 V
 E
 H
 U
 G
 C
 R
 Y
 R
 A
 F
 T
 H
 I
 K
 E
 N
 O
 V
 E
 H
 U
 G
 C
 R
 Y
 R
 A
 F
 T
 H
 I
 K
 E
 N
 O
 V
 E
 H
 U
 G
 C
 R
 Y
 R
 A
 F
 T
 H
 I
 K
 E
 N
 O
 V
 E
 H
 U
 G
 C
 R
 Y
 R
 A
 F
 T
 H
 I
 K
 E
 N
 O
 V
 E
 H
 U
 G
 C
 R
 Y
 R
 A
 F
 T
 H
 I
 K
 E
 N
 O
 V
 E
 H
 U
 G
 C
 R
 Y
 R
 A
 F
 T
 H
 I
 K
 E
 N
 O
 V
 E
 H
 U
 G
 C
 R
 Y
 R
 A
 F
 T
 H
 I
 K
 E
 N
 O
 V
 E
 H
 U
 G
 C
 R
 Y
 R
 A
 F
 T
 H
 I
 K
 E
 N
 O
 V
 E
 H
 U
 G
 C
 R
 Y
 R
 A
 F
 T
 H
 I
 K
 E
 N
 O
 V
 E
 H
 U
 G
 C
 R
 Y
 R
 A
 F
 T
 H
 I
 K
 E
 N
 O
 V
 E
 H
 U
 G
 C
 R
 Y
 R
 A
 F
 T
 H
 I
 K
 E
 N
 O
 V
 E
 H
 U
 G
 C
 R
 Y
 R
 A
 F
 T
 H
 I
 K
 E
 N
 O
 V
 E
 H
 U
 G
 C
 R
 Y
 R
 A
 F
 T
 H
 I
 K
 E
 N
 O
 V
 E
 H
 U
 G
 C
 R
 Y
 R
 A
 F
 T
 H
 I
 K
 E
 N
 O
 V
 E
 H
 U
 G
 C
 R
 Y
 R
 A
 F
 T
 H
 I
 K
 E
 N
 O
 V
 E
 H
 U
 G
 C
 R
 Y
 R
 A
 F
 T
 H
 I
 K
 E
 N
 O
 V
 E
 H
 U
 G
 C
 R
 Y
 R
 A
 F
 T
 H
 I
 K
 E
 N
 O
 V
 E
 H
 U
 G
 C
 R
 Y
 R
 A
 F
 T
 H
 I
 K
 E
 N
 O
 V
 E
 H
 U
 G
 C
 R
 Y
 R
 A
 F
 T
 H
 I
 K
 E
 N
 O
 V
 E
 H
 U
 G
 C
 R
 Y
 R
 A
 F
 T
 H
 I
 K
 E
 N
 O
 V
 E
 H
 U
 G
 C
 R
 Y
 R
 A
 F
 T
 H
 I
 K
 E
 N
 O
 V
 E
 H
 U
 G
 C
 R
 Y
 R
 A
 F
 T
 H
 I
 K
 E
 N
 O
 V
 E
 H
 U
 G
 C
 R
 Y
 R
 A
 F
 T
 H
 I
 K
 E
 N
 O
 V
 E
 H
 U
 G
 C
 R
 Y
 R
 A
 F
 T
 H
 I
 K
 E
 N
 O
 V
 E
 H
 U
 G
 C
 R
 Y
 R
 A
 F
 T
 H
 I
 K
 E
 N
 O
 V
 E
 H
 U
 G
 C
 R
 Y
 R
 A
 F
 T
 H
 I
 K
 E
 N
 O
 V
 E
 H
 U
 G
 C
 R
 Y
 R
 A
 F
 T
 H
 I
 K
 E
 N
 O
 V
 E
 H
 U
 G
 C
 R
 Y
 R
 A
 F
 T
 H
 I
 K
 E
 N
 O
 V
 E
 H
 U
 G
 C
 R
 Y
 R
 A
 F
 T
 H
 I
 K
 E
 N
 O
 V
 E
 H
 U
 G
 C
 R
 Y
 R
 A
 F
 T
 H
 I
 K
 E
 N
 O
 V
 E
 H
 U
 G
 C
 R
 Y
 R
 A
 F
 T
 H
 I
 K
 E
 N
 O
 V
 E
 H
 U
 G
 C
 R
 Y
 R
 A
 F
 T
 H
 I
 K
 E
 N
 O
 V
 E
 H
 U
 G
 C
 R
 Y
 R
 A
 F
 T
 H
 I
 K
 E
 N
 O
 V
 E
 H
 U
 G
 C
 R
 Y
 R
 A
 F
 T
 H
 I
 K
 E
 N
 O
 V
 E
 H
 U
 G
 C
 R
 Y
 R
 A
 F
 T
 H
 I
 K
 E
 N
 O
 V
 E
 H
 U
 G
 C
 R
 Y
 R
 A
 F
 T
 H
 I
 K
 E
 N
 O
 V
 E
 H
 U
 G
 C
 R
 Y
 R
 A
 F
 T
 H
 I
 K
 E
 N
 O
 V
 E
 H
 U
 G
 C
 R
 Y
 R
 A
 F
 T
 H
 I
 K
 E
 N
 O
 V
 E
 H
 U
 G
 C
 R
 Y
 R
 A
 F
 T
 H
 I
 K
 E
 N
 O
 V
 E
 H
 U
 G
 C
 R
 Y
 R
 A
 F
 T
 H
 I
 K
 E
 N
 O
 V
 E
 H
 U
 G
 C
 R
 Y
 R
 A
 F
 T
 H
 I
 K
 E
 N
 O
 V
 E
 H
 U
 G
 C
 R
 Y
 R
 A
 F
 T
 H
 I
 K
 E
 N
 O
 V
 E
 H
 U
 G
 C
 R
 Y
 R
 A
 F
 T
 H
 I
 K
 E
 N
 O
 V
 E
 H
 U
 G
 C
 R
 Y
 R
 A
 F
 T
 H
 I
 K
 E
 N
 O
 V
 E
 H
 U
 G
 C
 R
 Y
 R
 A
 F
 T
 H
 I
 K
 E
 N
 O
 V
 E
 H
 U
 G
 C
 R
 Y
 R
 A
 F
 T
 H
 I
 K
 E
 N
 O
 V
 E
 H
 U
 G
 C
 R
 Y
 R
 A
 F
 T
 H
 I
 K
 E
 N
 O
 V
 E
 H
 U
 G
 C
 R
 Y
 R
 A
 F
 T
 H
 I
 K
 E
 N
 O
 V
 E
 H
 U
 G
 C
 R
 Y
 R
 A
 F
 T
 H
 I
 K
 E
 N
 O
 V
 E
 H
 U
 G
 C
 R
 Y
 R
 A
 F
 T
 H
 I
 K
 E
 N
 O
 V
 E
 H
 U
 G
 C
 R
 Y
 R
 A
 F
 T
 H
 I
 K
 E
 N
 O
 V
 E
 H
 U
 G
 C
 R
 Y
 R
 A
 F
 T
 H
 I
 K
 E
 N
 O
 V
 E
 H
 U
 G
 C
 R
 Y
 R
 A
 F
 T
 H
 I
 K
 E
 N
 O
 V
 E
 H
 U
 G
 C
 R
 Y
 R
 A
 F
 T
 H
 I
 K
 E
 N
 O
 V
 E
 H
 U
 G
 C
 R
 Y
 R
 A
 F
 T
 H
 I
 K
 E
 N
 O
 V
 E
 H
 U
 G
 C
 R
 Y
 R
 A
 F
 T
 H
 I
 K
 E
 N
 O
 V
 E
 H
 U
 G
 C
 R
 Y
 R
 A
 F
 T
 H
 I
 K
 E
 N
 O
 V
 E
 H
 U
 G
 C
 R
 Y
 R
 A
 F
 T
 H
 I
 K
 E
 N
 O
 V
 E
 H
 U
 G
 C
 R
 Y
 R
 A
 F
 T
 H
 I
 K
 E
 N
 O
 V
 E
 H
 U
 G
 C
 R
 Y
 R
 A
 F
 T
 H
 I
 K
 E
 N
 O
 V
 E
 H
 U
 G
 C
 R
 Y
 R
 A
 F
 T
 H
 I
 K
 E
 N
 O
 V
 E
 H
 U
 G
 C
 R
 Y
 R
 A
 F
 T
 H
 I
 K
 E
 N
 O
 V
 E
 H
 U
 G
 C
 R
 Y
 R
 A
 F
 T
 H
 I
 K
 E
 N
 O
 V
 E
 H
 U
 G
 C
 R
 Y
 R
 A
 F
 T
 H
 I
 K
 E
 N
 O
 V
 E
 H
 U
 G
 C
 R
 Y
 R
 A
 F
 T
 H
 I
 K
 E
 N
 O
 V
 E
 H
 U
 G
 C
 R
 Y
 R
 A
 F
 T
 H
 I
 K
 E
 N
 O
 V
 E
 H
 U
 G
 C
 R
 Y
 R
 A
 F
 T
 H
 I
 K
 E
 N
 O
 V
 E
 H
 U
 G
 C
 R
 Y
 R
 A
 F
 T
 H
 I
 K
 E
 N
 O
 V
 E
 H
 U
 G
 C
 R
 Y
 R
 A
 F
 T
 H
 I
 K
 E
 N
 O
 V
 E
 H
 U
 G
 C
 R
 Y
 R
 A
 F
 T
 H
 I
 K
 E
 N
 O
 V
 E
 H
 U
 G
 C
 R
 Y
 R
 A
 F
 T
 H
 I
 K
 E
 N
 O
 V
 E
 H
 U
 G
 C
 R
 Y
 R
 A
 F
 T
 H
 I
 K
 E
 N
 O
 V
 E
 H
 U
 G
 C
 R
 Y
 R
 A
 F
 T
 H
 I
 K
 E
 N
 O
 V
 E
 H
 U
 G
 C
 R
 Y
 R
 A
 F
 T
 H
 I
 K
 E
 N
 O
 V
 E
 H
 U
 G
 C
 R
 Y
 R
 A
 F
 T
 H
 I
 K
 E
 N
 O
 V
 E
 H
 U
 G
 C
 R

ICON™ BACK SYSTEM



PLAYS
LOVES
HUGS
CRIES
RAVES
TALKS
SHOPS
EATS
SWIMS
SKIDS
DANCES
CLIMBS
BRACES
EVENTS
TOUR

LIFE IS CALLING

Innovation, Versatility, Comfort

For many wheelchair users, a solid back system is essential for proper positioning. It supports the spine and positions the pelvis. Lateral supports of the back system keep the user stable. The back system provides a mounting structure for headrests, thoracic supports, chest harnesses and hip belts. Pads, blocks or other positioning accessories that attach to the back help accommodate kyphosis, scoliosis, abnormal tone and other conditions.

Proper positioning and postural support are essential for the health and well-being of wheelchair users. Respiration, digestion, swallowing and pain management all improve when the trunk is supported. Allowing greater participation in Activities of Daily Living, the right back system enhances the wheelchair user's overall comfort and their ability to interact socially.

Wheelchair sling upholstery often is inadequate for proper positioning and postural support. Selecting the right solid back system is one of the most important decisions to be made when completing setup of the wheelchair.

Built with the user, caregiver, clinician and technician in mind, the Icon™ Back System provides the best solution for those who demand fast installation, adjustment versatility, and simple operation. The Icon Back System offers a variety of back types and sizes, each with innovative adjustable hardware, plus a VARILITE® air-foam floatation cushion for superior comfort.

Innovation, Versatility, and Comfort. The Icon Back System delivers all three.



Simplicity

The Icon™ Back System installs on a wheelchair quickly and easily. Only two parts need to be attached to the wheelchair – all other hardware components are pre-installed. All adjustment screws are the same. Only a single tool is needed.

Icon™ hardware is symmetrical so there are no right-handed or left-handed components. Symmetrical hardware provides a wide range of seat depth adjustment, without any need for special, extra length parts. Posterior seat depth can be increased or anterior depth decreased by reversing the hardware. Symmetrical hardware simplifies ordering and management of spare parts.



Ease of Use

The Icon™ Back System is designed for users who are on the go. Operating the system is as easy as opening the latches and sliding the back support out of the hardware. Latches stay in an open position until the back is removed, making it simple to remove the support with one hand or limited dexterity. The hardware guides the back support into position with minimal effort and locks it securely into place. Red safety markings alert the user that a latch is open and not in the locked position.



ICON™ LOW BACK

PELVIC AND LUMBAR SUPPORT FOR A USER WITH GOOD TRUNK CONTROL



Combines Icon™ hardware with a sleek, low profile look.

Icon™ Low Back is an ideal lightweight solution for users needing lower trunk support and the full adjustment capability of a larger style of back. The upper body is unimpeded, which allows full range motion of the upper body and trunk, and improves Activities of Daily Living. The shell curves around the sides of the body for mild lateral support, while the accompanying enhanced rollover cushion protects the user and provides maximum comfort.

ICON™ MID BACK

MIDTHORACIC SUPPORT FOR A LARGE RANGE OF BODYTYPES

Provides support and positioning to improve trunk control and decrease fatigue.

Icon™ Mid Back supports the user to just below the scapula so the back does not interfere with arm movement during propelling or other activities. The Icon™ Mid Back shell provides mild lateral support. Secondary supports attach easily if more aggressive support is required. The back features an enhanced rollover cushion to protect the user and for added comfort.



VARILITE
A Division of Cascade Designs, Inc.

ICON™ TALL BACK

FULL THORACIC COVERAGE FOR MODERATE TO MAXIMUM SUPPORT

Well suited for users needing additional support, or with a tilt-recline system.

Icon™ Tall Back supports the back to the top of the shoulders, including the scapula, which is ideal for users with decreased trunk control. The curved shell provides moderate back support. Lateral supports can be easily mounted using existing vertical shell slots. Headrests can be installed onto the aluminum shell for more positioning options.



ICON™ DEEP BACK

FULL THORACIC COVERAGE AND DEEP LATERAL SUPPORT

Ideal for users needing maximum support.

The Icon™ Deep Back supports a user's back to the top of the shoulders, including the scapula, with extra lateral support at the thoracic trunk. The deep contour of the back provides more lateral support for users with poor trunk control. Headrests and other secondary supports can be installed onto the aluminum shell.

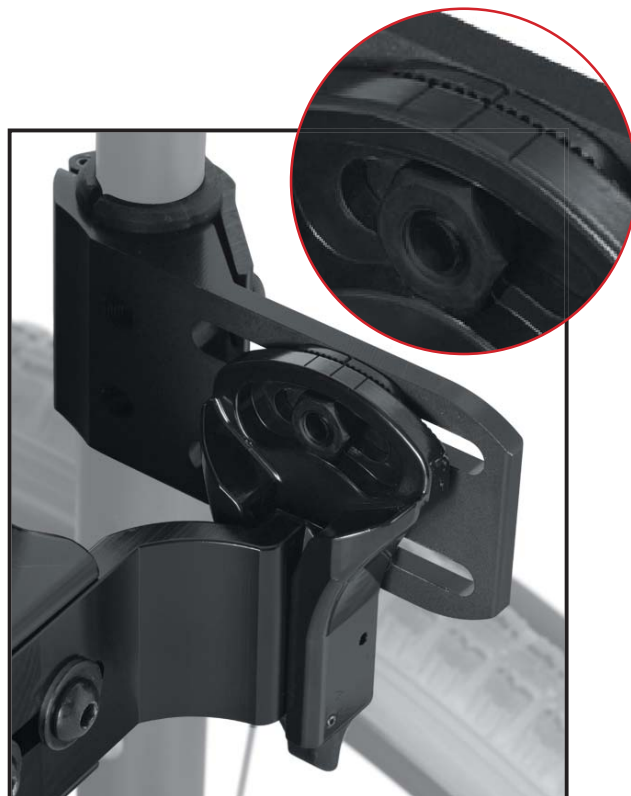
Icon™ Deep Back includes a closed-cell foam PSIS (posterior superior iliac spine) block and Supplemental Lateral Pads that attach to the shell with adhesive hook and loop. The PSIS block provides support to the sacrum at the PSIS level, promoting anterior pelvic tilt and spinal extension. The Supplemental Lateral Pads help customize overall fit.



Secure Adjustability

Adjusting Angle, Depth, Width and Height of Icon™ Back System hardware is simple and easy. All adjustment screws are accessible from the rear of the back support or from the outside of the Cane Brackets. Only one tool is needed. Adjustments can be made while the user is in the wheelchair.

Once adjusted, Icon hardware stays in place. Cane Brackets clamp securely and will not slip. The innovative Adjuster Plate mechanism for recline adjustment is positive locking to prevent the back support from moving during Activities of Daily Living or other times when heavy loads are placed on it.



ANGLE ADJUSTMENT

Icon™ Hardware allows for $\pm 20^\circ$ of adjustment to the angle of the back.

DEPTH ADJUSTMENT

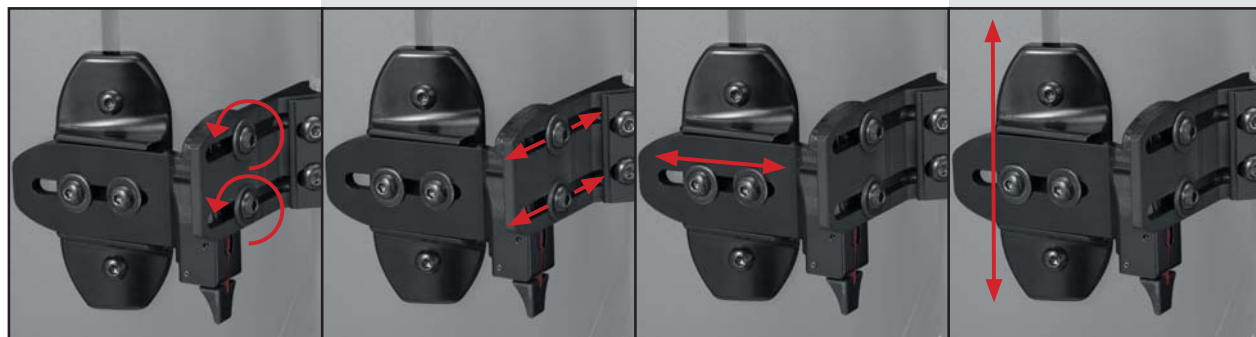
Depth can be adjusted 1.5 in. (4 cm) by moving the Holster along the Cane Bracket.

WIDTH ADJUSTMENT

Lateral position is adjusted by moving the Slide Brackets. The Slide Brackets adjust up to 1 in. (2.5 cm) making it possible to install on wheelchairs 1 in. (2.5 cm) wider or narrower than the width of the back support.





HEIGHT ADJUSTMENT

Moving the back up and down is as simple as loosening the Shell Brackets and sliding the back into position.



Seat Depth

The Icon™ Back System provides excellent seat depth, and allows for growth, by offering four different installation configurations. In the Basic Installation the Cane Brackets are in the rearward position and the Slide Brackets in the forward position. Changing the back to fit positioning needs is as easy as reconfiguring the position of the Cane Brackets and Slide Brackets from the Basic Installation.

EXTRA DEPTH INSTALLATION	BASIC INSTALLATION	GROWTH INSTALLATION	EXTRA GROWTH INSTALLATION
			
<p>Cane Brackets: <i>Rearward Position</i></p> <p>Slide Brackets: <i>Rearward Position</i></p> <p>Seat Depth: <i>+1.5 in. (4 cm) Depth from Basic Installation</i></p>	<p>Cane Brackets: <i>Rearward Position</i></p> <p>Slide Brackets: <i>Forward Position</i></p> <p>Seat Depth: <i>Up to 1.5 in. (4 cm)</i></p>	<p>Cane Brackets: <i>Forward Position</i></p> <p>Slide Brackets: <i>Rearward Position</i></p> <p>Seat Depth: <i>+4 in. (10 cm) Depth Reduction from Basic Installation</i></p>	<p>Cane Brackets: <i>Forward Position</i></p> <p>Slide Brackets: <i>Forward Position</i></p> <p>Seat Depth: <i>+5.5 in. (14 cm) Depth Reduction from Basic Installation</i></p>

CANE BRACKETS FORWARD



SLIDE BRACKETS FORWARD



CANE BRACKETS REARWARD



SLIDE BRACKETS REARWARD



Rollover Cushion

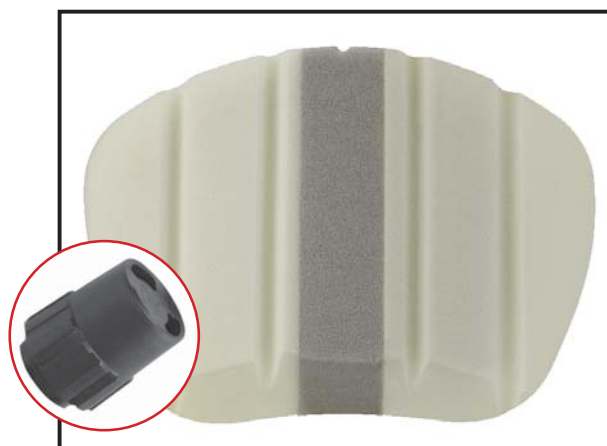
The Icon™ Back System features an innovative rollover cushion to protect the user from contact with the edge of the shell during extension or weight shifting activities. The cushion is secured inside the cover so it stays in place. The wheelchair user can perform Activities of Daily Living with confidence and in comfort.

Icon™ Low Back and Icon™ Mid Back include enhanced rollover cushions. Special padding in the cover provides extra protection.



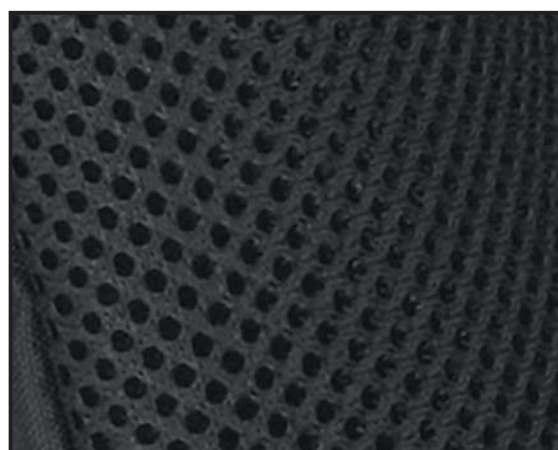
Air & Dual-Stiffness Foam

The Icon™ Back System incorporates a VARILITE® air-foam floatation cushion. Sculpted foam fits the shell contour without bunching. Multi-stiffness foam is thickest along the vertebral column. Soft foam protects the sensitive areas of the spine while firmer foam supports the sides of the trunk. A two-way air valve allows air in and out of the cushion for a custom fit and adjustable comfort.



Breathable Fabric

Spacer knit fabric on the outside of the cover increases air-flow between the user and the back support. Reticulated foam sewn under the spacer knit fabric provides additional air exchange plus pressure distribution. The Icon™ Back System cover meets ISO 7176-16 ignition resistance standard for upholstered wheelchair components. The cover is machine washable.



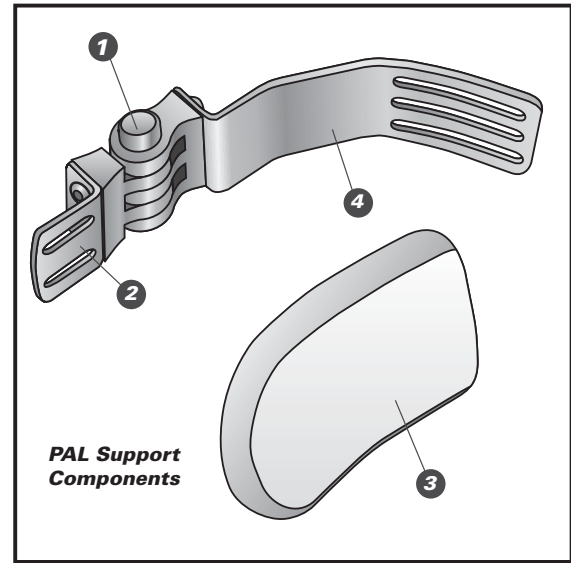
Accessibility

Additional supports can be added easily onto the Icon™ Back System. Vertical slots can be used to attach VARILITE® PAL™ Swing-Away Thoracic Supports, or other secondary supports. The slots also allow the installing technician to work around stabilizer bars, accessories or other obstructions when attaching Icon™ hardware to the wheelchair.



PAL™ Swing-Away Lateral Support

VARILITE® PAL™ Swing-Away Thoracic supports are designed to complement Icon™ Mid and Icon™ Tall backs. PAL™ (Positive Action Lateral) supports allow hinge angle, pad rotation, and horizontal pad adjustments for a precise fit. All PAL™ swing-away lateral supports include a neoprene protective cover that attaches easily to the PAL™ push button hinge.



1. Push Button Hinge

Easily activated push button unlocks the PAL™ swing-away hinge mechanism. Positive Locking Action indicates when the hinge is securely locked. Simple hinge angle adjustment provides up to 225° of swing.

2. Pad Bracket

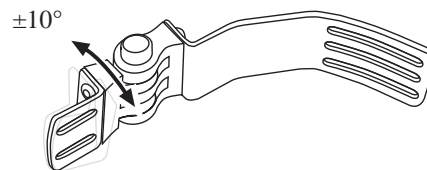
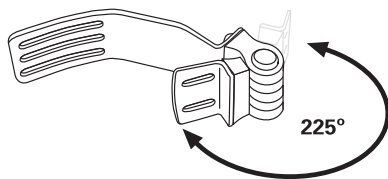
Constructed of steel for strength, pad bracket attaches securely to the pad. Easy adjustment allows $\pm 10^\circ$ of vertical pad rotation. Pad brackets are available in short, long and offset sizes.

3. Pad

Pads are available in contoured or linear styles, in three sizes. Closed-cell foam with a steel insert that allows horizontal pad adjustment. Pad foam is protected with a removable, machine washable cover.

4. Shell Bracket

Constructed of steel, shell bracket is contoured to mount on the inside of an Icon™ Mid Back or Icon™ Tall Back shell. Low profile bracket is less than 1/8 in. (3 mm) thick.



Fixed lateral supports are available for situations when a swing-away lateral is not required. Fixed lateral supports consist of shell bracket, pad bracket and pad.

Additional Supports

Users who need extra support for correct positioning can utilize the PSIS Block or Supplemental Lateral Supports attached to the shell of their Icon™ Back System. These supports can be positioned within the shell using hook and loop attachment. The PSIS Block and Supplemental Lateral Supports are included with the Icon™ Deep Back and can be added as an accessory to any Icon™ Back System.

PSIS Block

The PSIS (posterior superior iliac spine) Block provides support to the sacrum at the PSIS level, promoting anterior pelvic tilt and spinal extension.

Supplemental Lateral Supports

The Supplemental Lateral Pads help users who lean to one side maintain an upright position.



Cushions and Covers

Users needing a backup cushion or cover can purchase the washable spacer knit fabric cover and air-foam cushion separately from the back system. Covers can be purchased as a single item, or with the cushion. Cushions are covered by the 2 year warranty.

Modesty Kits

Users needing extra coverage between the back support and wheelchair seat can purchase a modesty kit that attaches to the shell of the back system and the seat of the wheelchair. Modesty kits provide extra coverage for the user, while appearing integrated into the back support.



Safety Latches

Icon™ Back System latches open outward to prevent unintentional activation by contact with backpacks or other items. Red safety markings alert the user or caregiver that a latch is open. Icon latches lock securely when the back support is inserted.



Resistance to Flammability

Flammability testing has been performed on Icon™ Back System cushions and covers by an independent laboratory according to the requirements of ISO 7176-16 standard for resistance to ignition of wheelchair upholstered parts. The ISO standard specifies requirements and test methods to assess the resistance of the cover and cushion to ignition by cigarette and match. Icon™ Back System cushions and covers meet ISO 7176-16 standard.

Crash-Tested

VARILITE® product development supports industry safety initiatives. Icon™ Back Systems have been dynamically tested for safe use in motor vehicles by an independent transportation center. Icon™ Tall Back and Icon™ Deep Back have been tested and meet the requirements of ANSI WC20/Vol 4 and conform with ISO 16840-4 for the safe use of seating devices for use in motor vehicles when used with a wheelchair base that complies with the performance requirements of ANSI WC 19 or ISO 7176-19.

For more information about the safe use of wheelchairs in a motor vehicle, please visit www.varilite.com to download the *RideSafe* Brochure.

