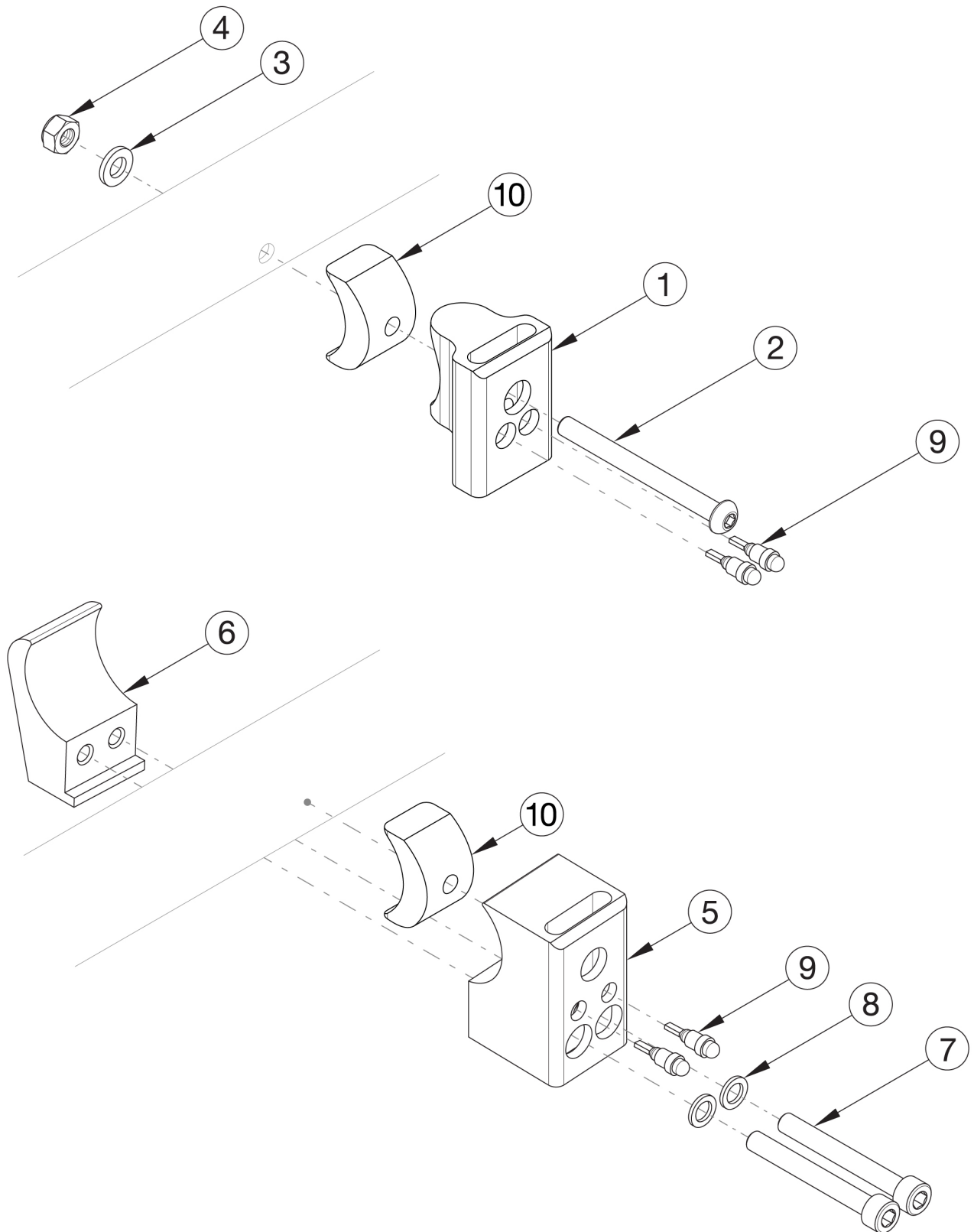


Rigid Side Guard Receiver



If retrofitting side guards, clamp on receiver is required

Item Number	Part Number	Description	Quantity
1-4, 9	503141	Wide Side Guard Direct Mount Receiver Assembly Black Anodized Rigid	1
5 - 9	501330	Wide Side Guard Clamp Mount Receiver Assembly Black Anodized Rigid	1
1, 9	112060	Wide Side Guard Direct Mount Receiver 1-3/8" w/ Chamfer Black Anodized Rigid <i>Replaced 001415 and 004442 receivers. This design effective October 23rd, 2020</i>	1
7, 10	123878	Rogue XP Clamp-On Side Guard Spacer with Hardware (Pair)	1
2	101127	M6 x 65 BTN SHCS BLKZC	1
3	100746	M6 Flat Washer Blk Zn	1
4	100658	M6 Nylock Nut Blk Zn	1
5, 9	112061	Wide Side Guard Clamp Mount Receiver 1-3/8" w/ Chamfer Black Anodized Rigid <i>Replaced 001437 and 004443 receivers. This design effective October 23rd, 2020</i>	1
6	000554	Side Guard Clamp Mount Rigid	1
7	102473	M6 X 50 CLS12.9 SHCS BLK ZC	2
8	102326	Flat Washer ID .254" x OD .396" Thickness .047" Zinc	2
10	122975	Side Guard Spacer 1 3/8"	1