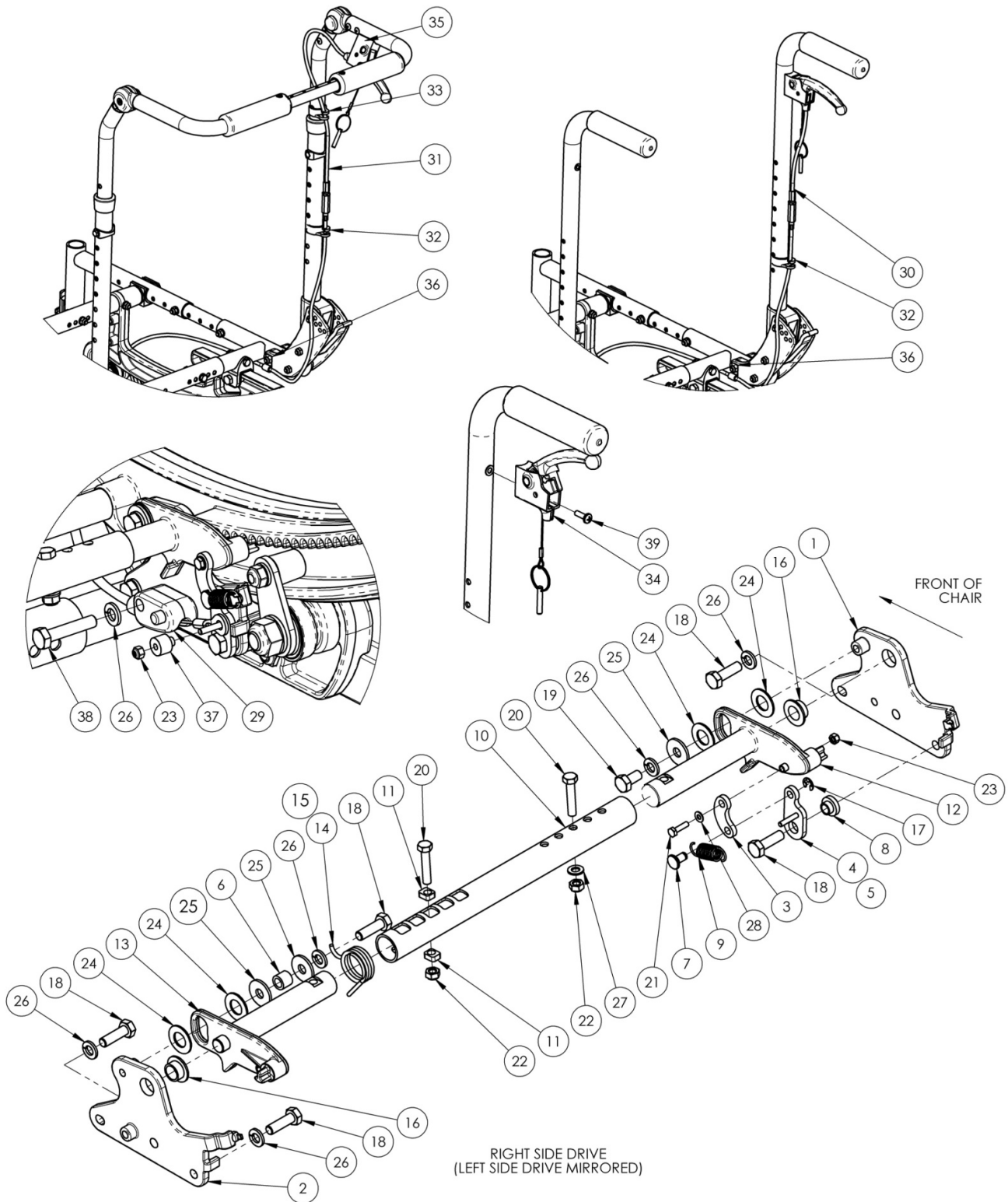


(Discontinued 2) Focus CR Hand Tilt Mechanism



This Focus CR Hand Tilt is discontinued and was used on serial numbers from FCR0013026 to FCR0016745 or prior to FCHD002213.

| Item Number | Part Number | Description | Quantity |
|-------------|-------------|--|----------|
| 1, 16 | 502690 | Tilt Lock Mount Bracket w/ Bearing Kit, Right Focus | 1 |
| 2, 16 | 502691 | Tilt Lock Mount Bracket w/ Bearing Kit, Left Focus | 1 |
| 4 | 002084 | Toggle, Drive, Tilt, R | 1 |
| 5 | 002085 | Toggle, Drive, Tilt, L | 1 |
| 6 | 002086 | Spacer, .38ODx.24IDx.31LG | 1 |
| 10a | 002094 | Growth Strut, Tilt Lock, Small | 1 |
| 10b | 002095 | Growth Strut, Tilt Lock, Med | 1 |
| 10c | 002096 | Growth Strut, Tilt Lock, Large | 1 |
| 11 | 002097 | Insert, Drive, Tilt | 2 |
| 14 | 001109 | Spring Tilt Lock Right TILT <i>Used with left side assembly</i> | 1 |
| 15 | 001110 | Spring Tilt Lock Left TILT <i>Used with right side assembly</i> | 1 |
| 18 | 101823 | M6 x 20 HHCS Blk Zn | 5 |
| 19 | 101822 | M6 x 12 HHCS BLKZC w/Patch | 1 |
| 20 | 101821 | M5 x 25 HHCS Blk Zn | 2 |
| 21 | 102783 | M3 x 12 HHCS, CL8.8, Blk Zn | 1 |
| 22 | 100657 | M5 Nylock Nut Blk Zn | 2 |
| 23 | 102784 | Nut, Nylock, M3, Blk | 2 |
| 24 | 102082 | Washer Nylon .406IDX.75ODX.040 | 4 |
| 25 | 101853 | M6 Washer Blk Zn | 3 |
| 26 | 101835 | M6 Lock Washer Blk Zn | 5 |
| 27 | 101856 | Flat Washer, M5, Blk Zn | 1 |
| 28 | 102785 | Flat Washer, M3, Blk Zn | 1 |
| 30a | 002100 | Cable, Tilt, Short | 1 |
| 30b | 002101 | Cable, Tilt, Med | 1 |
| 31a | 002102 | Cable, Tilt, Long | 1 |

| Item Number | Part Number | Description | Quantity |
|-------------|-------------|---|----------|
| 31b | 002103 | Cable, Tilt, XL | 1 |
| 32 | 001117 | Cable Clip 1" | 1 |
| 33 | 001118 | Cable Clip 7/8" | 1 |
| 34, 39 | 110139 | Lever Assembly with Lanyard Vertical Tilt | 1 |
| 35 | 002801 | Lever Assembly Horizontal Tilt | 1 |
| 36 | 001239 | P-Clip 3/16" | 1 |
| 37 | 002090 | Drive Bushing, Tilt Lock | 1 |
| 38 | 101824 | M6 x 30 HHCS Blk Zn | 1 |
| 39 | 100734 | M5 x 16 PHMS ZC | 1 |