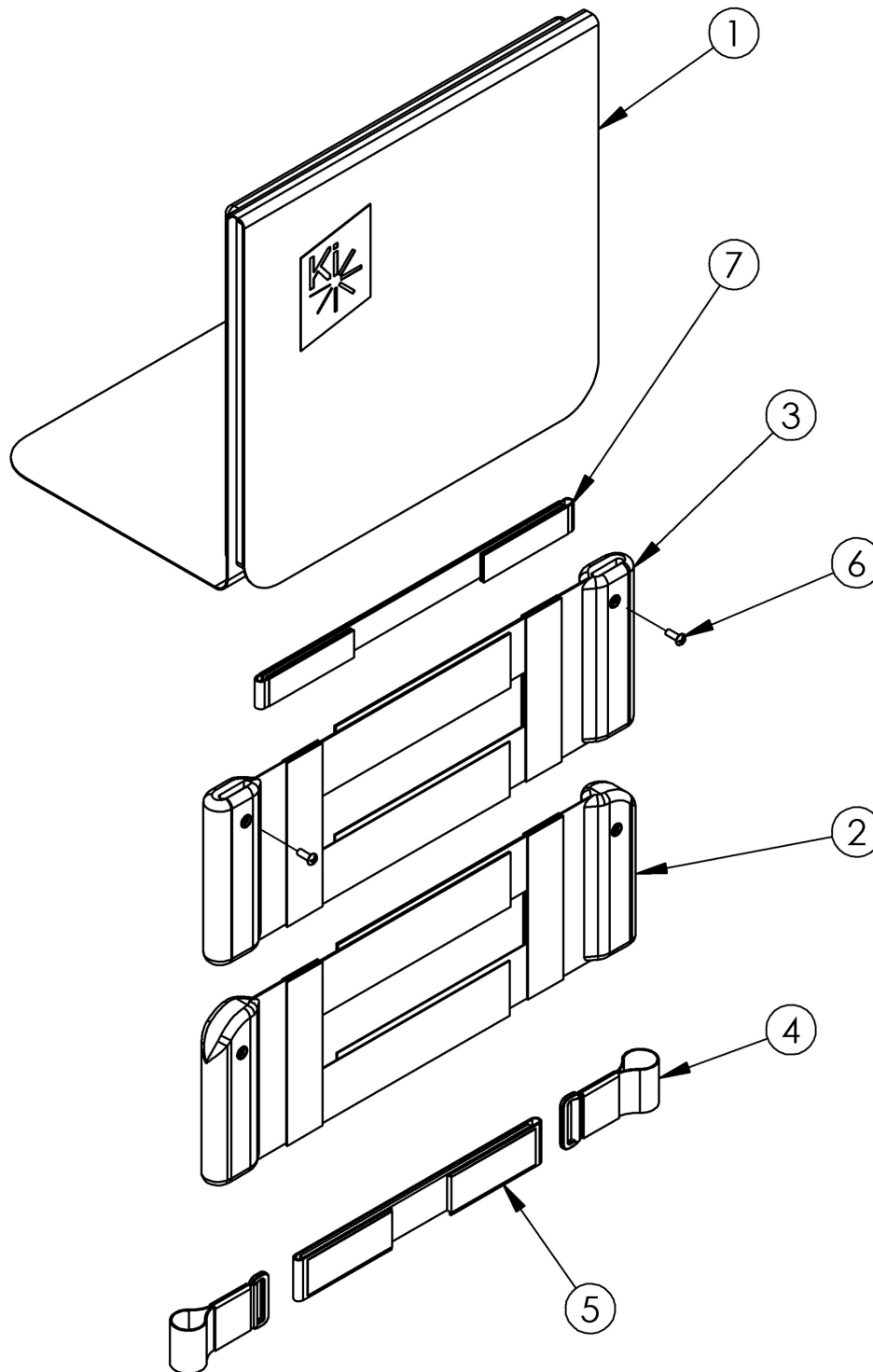


# Discontinued 2 Rogue XP Padded Velcro Adjustable Back Upholstery 17" - 18" Wide

---



Open Back Wings (3a - 3l) are used when integrated push handles are present. Closed Back Wings (2a - 2l) are used when back posts without push handles are present. Tension Straps (7a and 7b) are used with the combination of Fold Down Push Handle and Padded Velcro Adjustable Back Upholstery and are based on chair width.

Item Number	Part Number	Description	Quantity
1a, 4, 5a	504702	Backrest Cover with One Strap 17W Rigid, 11-14H <i>Contains 003049 cover</i>	1
1b, 4, 5a	504703	Backrest Cover with One Strap 17W Rigid, 13-16H <i>Contains 003050 cover</i>	1
1c, 4, 5a	504704	Backrest Cover with One Strap 17W Rigid, 15-18H <i>Contains 003051 cover</i>	1
1d, 4, 5a	504705	Backrest Cover with One Strap 17W Rigid, 17-20H <i>Contains 003052 cover</i>	1
1e, 4, 5b	504706	Backrest Cover with One Strap 18W Rigid, 11-14H <i>Contains 003055 cover</i>	1
1f, 4, 5b	504707	Backrest Cover with One Strap 18W Rigid, 13-16H <i>Contains 003056 cover</i>	1
1g, 4, 5b	504708	Backrest Cover with One Strap 18W Rigid, 15-18H <i>Contains 003057 cover</i>	1
1h, 4, 5b	504709	Backrest Cover with One Strap 18W Rigid, 17-20H <i>Contains 003058 cover</i>	1
4	100973	Back Upholstery D-Ring	2
5a	002534	Back Upholstery Strap 21.3" <i>Used on 17" chair widths. Replacement for 100772.</i>	1
5b	002535	Back Upholstery Strap 23.3" <i>Used on 18" chair widths. Replacement for 100773.</i>	1
6	100734	M5 x 16 PHMS ZC	2
7a	001751	Tension Strap Folding Handle 16-17 Wide	1
7b	001752	Tension Strap Folding Handle 18-19 Wide	1