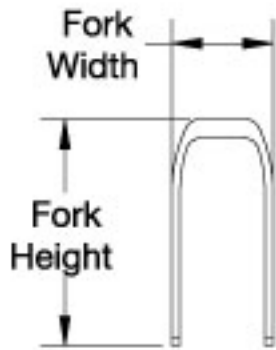
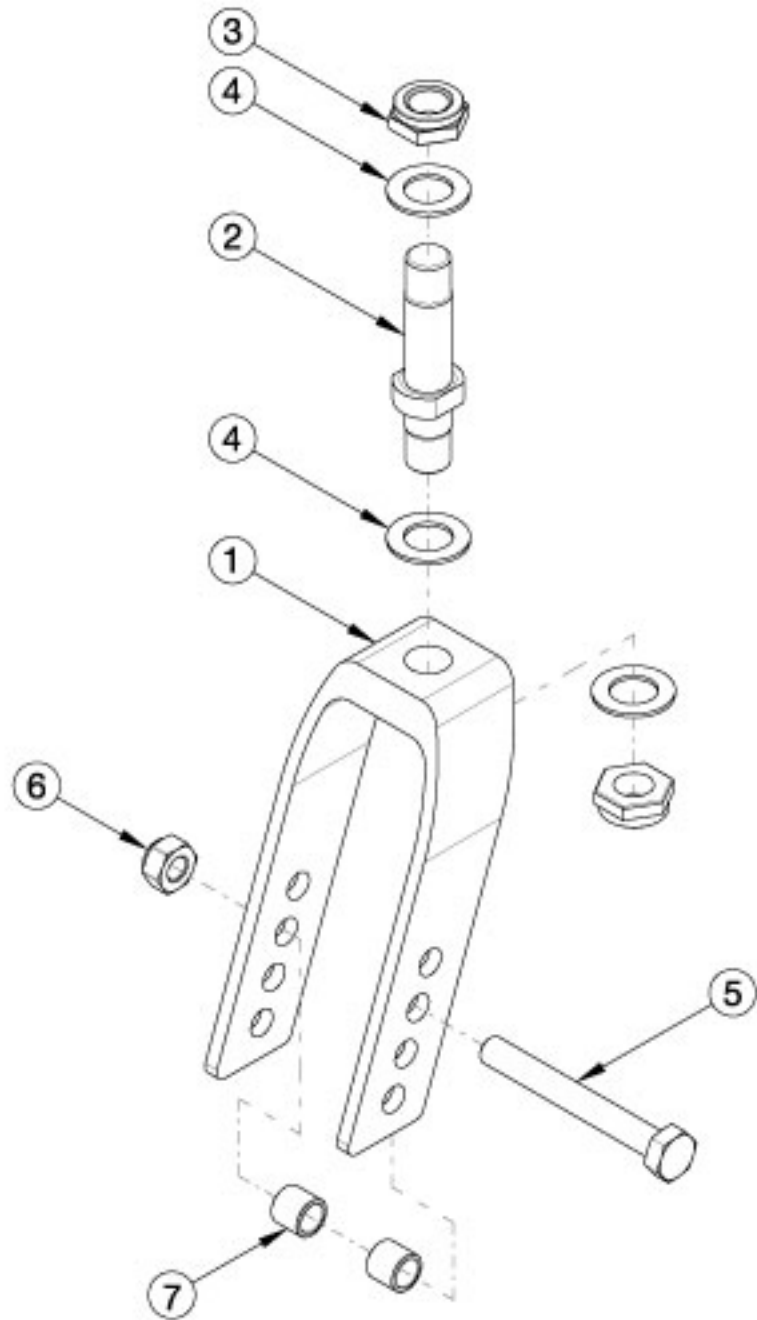


Flip for x:panda Forks and Stems



Fork	Height	Width
6" Std	5.7"	2.1"
6" Wide	5.8"	2.9"
7" Std	7.0"	2.1"
7" Wide	7.0"	2.9"



Item Number	Part Number	Description	Quantity
1a, 2-4	107731	Fork Assembly 5", Flip	1
1b, 2-4	107732	Fork Assembly 6", Flip	1
1c, 2-4	107733	Fork Assembly 6" Wide, Flip <i>Only used with 2" wide casters</i>	1

Item Number	Part Number	Description	Quantity
1d, 2-4	107734	Fork Assembly 7", Flip	1
1e,2-4	107735	Fork Assembly 7" Wide, Flip <i>Only used with 2" wide casters</i>	1
5a, 6, 7a	502653	Caster Attachment Hardware Kit CAT/FCS	1
5b, 6, 7b	502654	Caster Attachment Hardware Kit for 6" and 7" Wide Fork, CAT/FCS <i>Only used with 2" wide casters</i>	1
1a	501209	Caster Fork 5" Flip	1
1b	501210	Caster Fork 6" Flip	1
1c	501211	Caster Fork 6" Wide Flip <i>Only used with 2" wide casters</i>	1
1d	501212	Caster Fork 7" Flip	1
1e	501213	Caster Fork 7" Wide Flip <i>Only used with 2" wide casters</i>	1
2 - 3	501208	Caster Stem, Ped Tilt	1
3	100529	M12 x 1.25mm Lock Nut Black	2
4	100682	Washer 1/2" .518 x .875 x .047 F/W Black Zinc	3
5a	101829	M8 x 65 HHCS Blk Zn	1
5b	101831	M8 x 80 HHCS Blk Zn <i>Used with wide forks</i>	1
6	100659	M8 Nylock Nut Blk Zn	1
7a	100792	Caster Spacer D8 x D12 x 10mm / Close Mount Handrim Spacer <i>Used with all casters except the 6" x 2" caster</i>	2
7b	001246	Caster Spacer Black 6 x 2 Poly .472ODX.319IDX.370LG <i>Only used with the 6" x 2" caster</i>	2