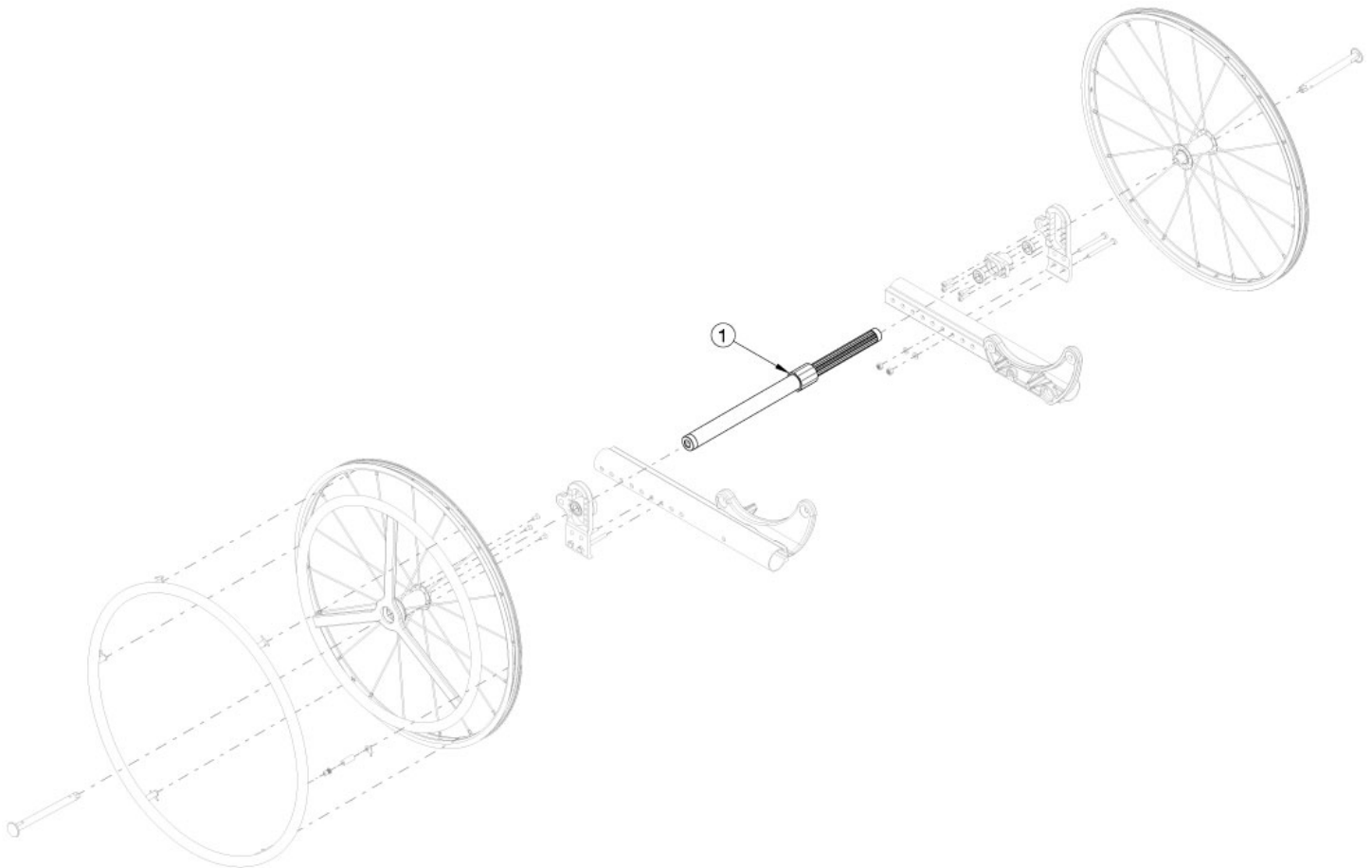


Focus CR One Arm Drive Quick Release - Growth



Has your width changed? If yes, please select accordingly. If changing wheel size and the Attendant Foot Lock is present, a new linkage may be required; reference the corresponding Focus CR Attendant Foot Lock page. Tires need to be quoted separately.

Item Number	Part Number	Description	Quantity
1a	111505	One Arm Drive - Quick Release Zero Camber Drive Shaft 260-370mm <i>Used on 14", 15", 16" seat width</i>	1
1b	111506	One Arm Drive - Quick Release Zero Camber Drive Shaft 330-440mm <i>Used on 17", 18", 19" seat width</i>	1
1c	111507	One Arm Drive - Quick Release Zero Camber Drive Shaft 421-491mm <i>Used on 20", 21" seat width</i>	1
1d	111860	One Arm Drive - Quick Release Zero Camber/Camber Drive Shaft 485-595mm <i>Used on 22", 23", 24" seat width</i>	1