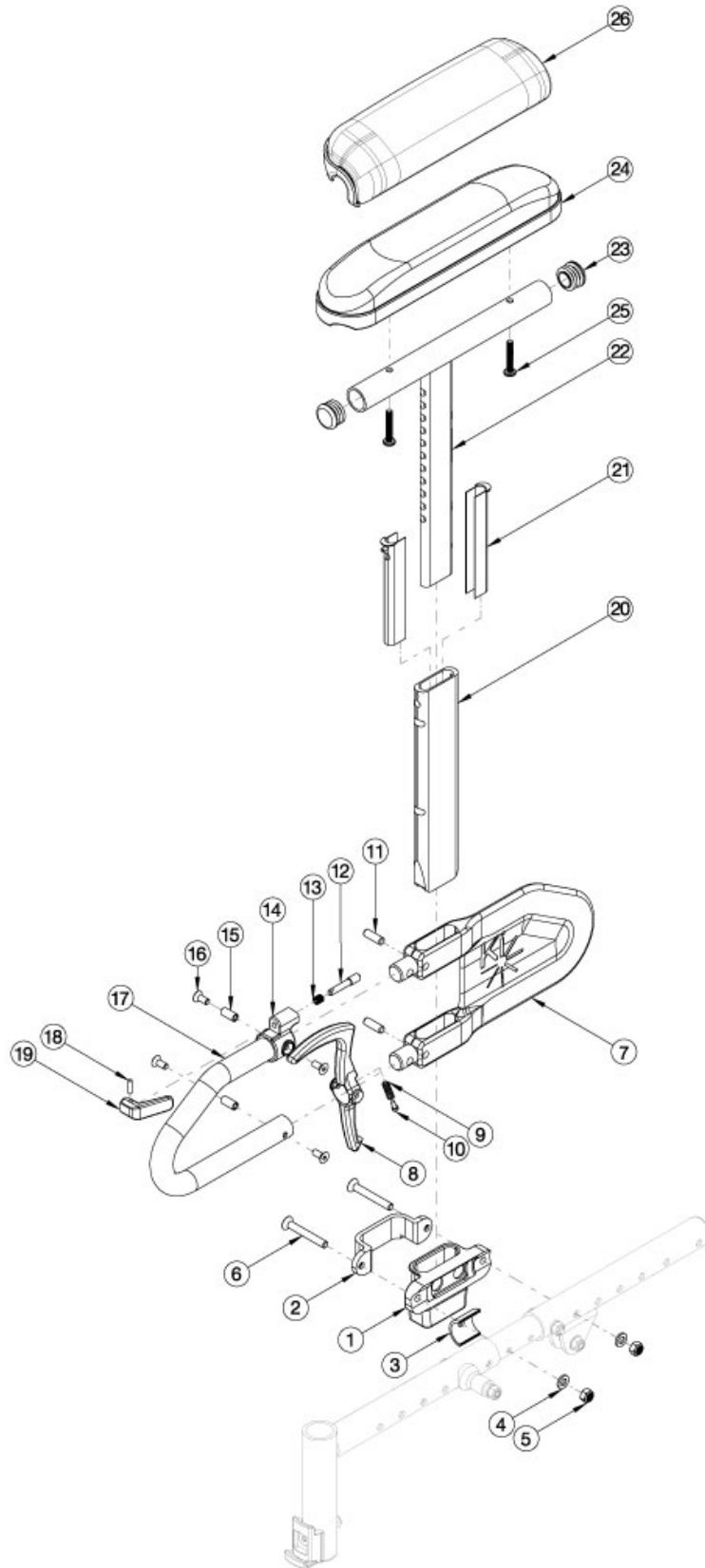


# Arc Height Adjustable T-Arm



If retrofitting, Receivers are needed. Callout #3: Spacer is needed when the receiver sits on the seat growth tube. Callout #6: Depending upon the placement of the receiver will depend on the length of screw you'll need. More specific information is on the way! Please note there is a receiver screw and spacer kit that includes all potential screw sizes and spacer (you will need qty 2 for a pair).

Item Number	Part Number	Description	Quantity
7-21, 22a, 23, 24b, 25a	505646	Height Adjustable T-Arm Assembly w/ Short Side Shield and Standard Pad Desk	1
7-21, 22b, 23, 24a, 25a	505644	Height Adjustable T-Arm Assembly w/ Short Side Shield and Standard Pad Full	1
7-21, 22a, 23, 25b, 26b	505650	Height Adjustable T-Arm Assembly w/ Short Side Shield and Waterfall Pad Desk	1
7-21, 22b, 23, 25b, 26a	505648	Height Adjustable T-Arm Assembly w/ Short Side Shield and Waterfall Pad Full	1
7-21, 22a, 23, 24b, 25a	505647	Height Adjustable T-Arm Assembly w/ Short Side Shield and Standard Pad Desk, Pair	1
7-21, 22b, 23, 24a, 25a	505645	Height Adjustable T-Arm Assembly w/ Short Side Shield and Standard Pad Full, Pair	1
7-21, 22a, 23, 25b, 26b	505651	Height Adjustable T-Arm Assembly w/ Short Side Shield and Waterfall Pad Desk, Pair	1
7-21, 22b, 23, 25b, 26a	505649	Height Adjustable T-Arm Assembly w/ Short Side Shield and Waterfall Pad Full, Pair	1
1-21, 22a, 23, 24b, 25a	113763	Height Adj T-Arm Assm w/ Short Side Shield and Standard Pad Desk and Receiver, Arc	1
1-21, 22b, 23, 24a, 25a	113764	Height Adj T-Arm Assm w/ Short Side Shield and Standard Pad Full and Receiver, Arc	1
1-21, 22a, 23, 25b, 26b	113765	Height Adj T-Arm Assm w/ Short Side Shield and Waterfall Pad Desk and Receiver, Arc	1
1-21, 22b, 23, 25b, 26a	113766	Height Adj T-Arm Assm w/ Short Side Shield and Waterfall Pad Full and Receiver, Arc	1
1-21, 22a, 23, 24b, 25a	113767	Height Adj T-Arm Assm w/ Short Side Shield and Standard Pad Desk and Receiver PAIR, Arc	1
1-21, 22b, 23, 24a, 25a	113768	Height Adj T-Arm Assm w/ Short Side Shield and Standard Pad Full and Receiver PAIR, Arc	1
1-21, 22a, 23, 25b, 26b	113769	Height Adj T-Arm Assm w/ Short Side Shield and Waterfall Pad Desk and Receiver PAIR, Arc	1
1-21, 22b, 23, 25b, 26a	113770	Height Adj T-Arm Assm w/ Short Side Shield and Waterfall Pad Full and Receiver PAIR, Arc	1
12-14, 16, 18, 19	505490	Height Adjustable T-Arm Upper Latch Assembly	1
8-10, 15	505507	Height Adjustable T-Arm Release Lever Assembly	1
7, 11, 15	506082	Height Adjustable T-Arm Short Shield Assembly	1
1-6	113772	Height Adj T-Arm Receiver Assembly, Arc	1
3-6	113771	Height Adj T-Arm Receiver Hardware Kit, Arc	1
3, 6a, 6b, 6c	113793	Height Adj T-Arm Receiver Screw Kit, Arc <i>Includes all three receiver screw sizes and spacer. Accommodates one side.</i>	1
7-21	004160	Height Adjustable T-Arm Lower Assembly Short <i>Does not include t-arm upper, arm pad or arm pad screws</i>	1

Item Number	Part Number	Description	Quantity
7-21, 22a, 23	003463	Height Adjustable T-Arm Short Desk <i>Does not include arm pad or arm pad screws</i>	1
7-21, 22b, 23	003464	Height Adjustable T-Arm Short Full <i>Does not include arm pad or arm pad screws</i>	1
1	110240	Receiver, T-Am	1
2	000088	Height Adjustable T Armrest Bracket	1
3	114443	Tube Spacer, Black, 1" OD x .083" x .80 LG	1
4	100746	M6 Flat Washer Blk Zn	2
5	100658	M6 Nylock Nut Blk Zn	2
6a	101592	M6 x 45 CLS10.9 DIN7991 FHCS BLKZC	2
6b	110286	FHCS, M6 x 1.0 x 70 CLS 12.9 BLZ, P/T, DIN7991	2
6c	100662	M6 x 25 FSHCS BLK ZC	2
9	000135	Height Adjustable T Armrest Release Lever Spring	1
10	000152	Height Adjustable T Armrest Release Spring Button	1
11	003641	.25" x .75" Dowel Pin	1
15	003457	M5 x 14mm Barrel Nut	1
16	103522	M5 x 0.8 x 12 FHCS CLS 10.9 Nyl Blk Zn DIN7991	1
17	000095	Height Adjustable T Armrest Transfer Tube	1
20	000089	Height Adjustable T Armrest Post	1
21	000090	Height Adjustable T Armrest Shim	2
22a, 23	112906	Height Adjustable T Armrest Upper Desk w/ Tube End Plug	1
22b, 23	112907	Height Adjustable T Armrest Upper Full w/ Tube End Plug	1
23	100803	Tube End Plug 7/8"	2
24a	100500	Arm Pad Full	1
24b	100501	Arm Pad Desk	1
25a	100696	M5 x 30mm PPH Capscrew <i>Used with Standard Arm Pads</i>	2
25b	100654	M5 x 40 DIN7985 PH Pan HD M/S ZC <i>Used with Waterfall Arm Pads</i>	2

<b>Item Number</b>	<b>Part Number</b>	<b>Description</b>	<b>Quantity</b>
26a	102452	Waterfall Arm Pad Full	1
26b	102521	Waterfall Arm Pad Desk	1