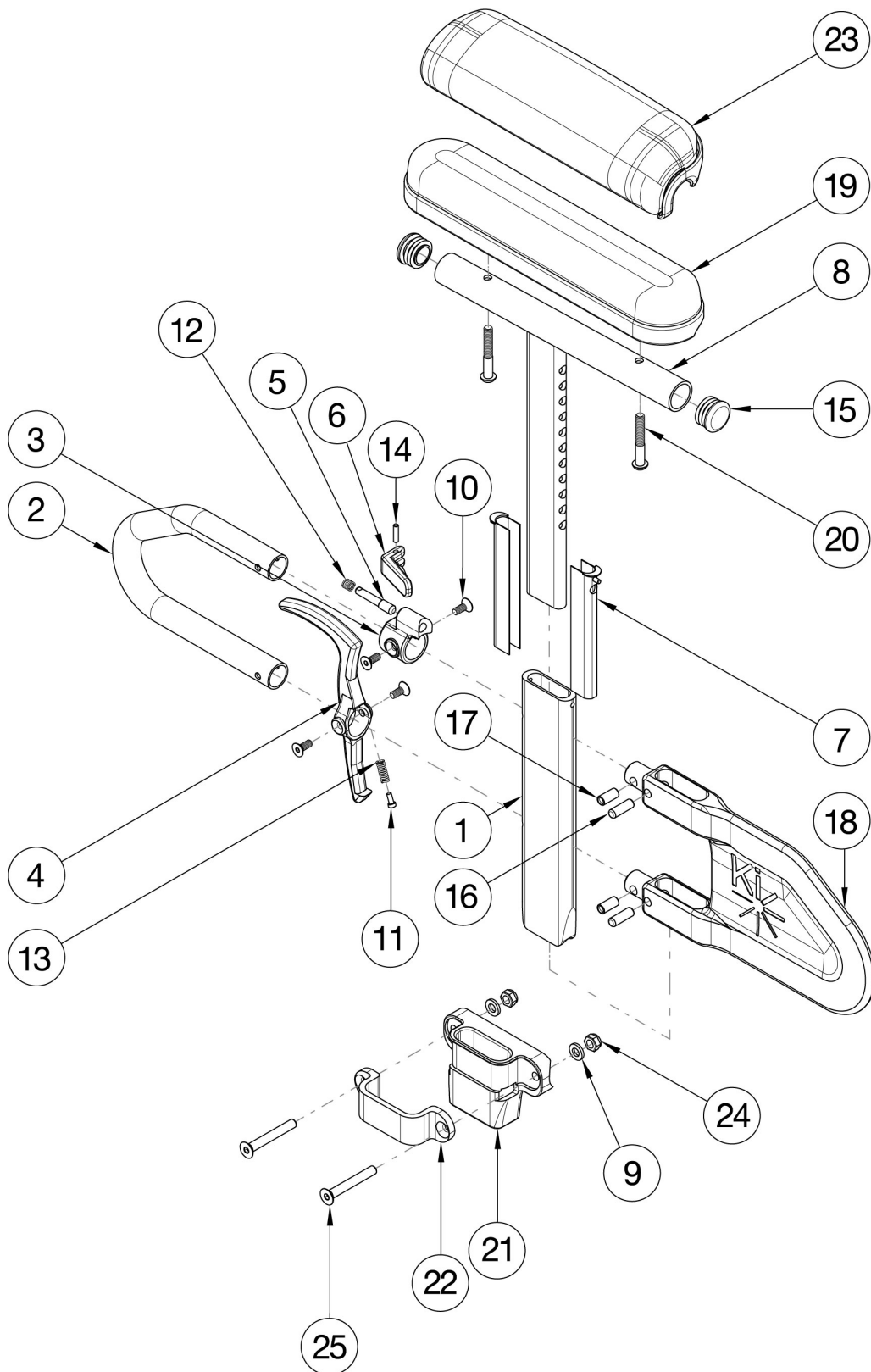


# CR45 Height Adjustable T Arm



If retrofitting, Receivers are needed. If retrofitting and Max Mags are present, spacer 112503 is required which can be found on CR45 Axle Plate page.

Item Number	Part Number	Description	Quantity
1-7, 8a, 9-18, 19b, 20a, 21, 22, 24-25	506087	Height Adjustable T-Arm Assembly w/ Short Side Shield and Standard Pad Desk and Receiver Pair, Focus/CR45	1
1-7, 8b, 9-18, 19a, 20a, 21, 22, 24-25	506088	Height Adjustable T-Arm Assembly w/ Short Side Shield and Standard Pad Full and Receiver Pair, Focus/CR45	1
1-7, 8a, 9-18, 20b, 21, 22, 23b, 24-25	506089	Height Adjustable T-Arm Assembly w/ Short Side Shield and Waterfall Pad Desk and Receiver Pair, Focus/CR45	1
1-7, 8b, 9-18, 20b, 21, 22, 23a, 24-25	506090	Height Adjustable T-Arm Assembly w/ Short Side Shield and Waterfall Pad Full and Receiver Pair, Focus/CR45	1
1-7, 8a, 9-18, 19b, 20a, 21, 22, 24-25	506083	Height Adjustable T-Arm Assembly w/ Short Side Shield and Standard Pad Desk and Receiver, Focus/CR45	1
1-7, 8b, 9-18, 19a, 20a, 21, 22, 24-25	506084	Height Adjustable T-Arm Assembly w/ Short Side Shield and Standard Pad Full and Receiver, Focus/CR45	1
1-7, 8a, 9-18, 20b, 21, 22, 23b, 24-25	506085	Height Adjustable T-Arm Assembly w/ Short Side Shield and Waterfall Pad Desk and Receiver, Focus/CR45	1
1-7, 8b, 9-18, 20b, 21, 22, 23a, 24-25	506086	Height Adjustable T-Arm Assembly w/ Short Side Shield and Waterfall Pad Full and Receiver, Focus/CR45	1
1-7, 8a, 10-18, 19b, 20a	505647	Height Adjustable T-Arm Assembly w/ Short Side Shield and Standard Pad Desk, Pair	1
1-7, 8b, 10-18, 19a, 20a	505645	Height Adjustable T-Arm Assembly w/ Short Side Shield and Standard Pad Full, Pair	1
1-7, 8a, 10-18, 20b, 23b	505651	Height Adjustable T-Arm Assembly w/ Short Side Shield and Waterfall Pad Desk, Pair	1
1-7, 8b, 10-18, 20b, 23a	505649	Height Adjustable T-Arm Assembly w/ Short Side Shield and Waterfall Pad Full, Pair	1
1-7, 8a, 10-18, 19b, 20a	505646	Height Adjustable T-Arm Assembly w/ Short Side Shield and Standard Pad Desk	1
1-7, 8b, 10-18, 19a, 20a	505644	Height Adjustable T-Arm Assembly w/ Short Side Shield and Standard Pad Full	1
1-7, 8a, 10-18, 20b, 23b	505650	Height Adjustable T-Arm Assembly w/ Short Side Shield and Waterfall Pad Desk	1
1-7, 8b, 10-18, 20b, 23a	505648	Height Adjustable T-Arm Assembly w/ Short Side Shield and Waterfall Pad Full	1
1-7, 10-14, 16-18	004160	Height Adjustable T-Arm Lower Assembly Short <i>Does not include t-arm upper, arm pad or arm pad screws</i>	1
1-7, 8a, 10-18	003463	Height Adjustable T-Arm Short Desk <i>Does not include arm pad or arm pad screws</i>	1
1-7, 8b, 10-18	003464	Height Adjustable T-Arm Short Full <i>Does not include arm pad or arm pad screws</i>	1
3, 5, 6, 10, 12, 14	505490	Height Adjustable T-Arm Upper Latch Assembly	1

Item Number	Part Number	Description	Quantity
4, 10, 11, 13	505507	Height Adjustable T-Arm Release Lever Assembly	1
9, 21, 22, 24-25	502298	Armrest T-Arm Receiver Assembly Focus	1
16-18	506082	Height Adjustable T-Arm Short Shield Assembly	1
1	000089	Height Adjustable T Armrest Post	1
2	000095	Height Adjustable T Armrest Transfer Tube	1
7	000090	Height Adjustable T Armrest Shim	2
8a, 15	112906	Height Adjustable T Armrest Upper Desk w/ Tube End Plug	1
8b, 15	112907	Height Adjustable T Armrest Upper Full w/ Tube End Plug	1
9	100746	M6 Flat Washer Blk Zn	2
10	003458	M5 X 12mm FHCS BLK ZN W/ Patch	4
11	000152	Height Adjustable T Armrest Release Spring Button	1
13	000135	Height Adjustable T Armrest Release Lever Spring	1
15	100803	Tube End Plug 7/8"	2
16	003641	.25" x .75" Dowel Pin	2
17	003457	M5 x 14mm Barrel Nut	2
19a	100500	Arm Pad Full	1
19b	100501	Arm Pad Desk	1
20a	100696	M5 x 30mm PPH Capscrew <i>Used with Standard Arm Pads</i>	2
20b	100654	M5 x 40 DIN7985 PH Pan HD M/S ZC <i>Used with Waterfall Arm Pads</i>	2
21	000087	Height Adjustable T-Arm Receiver 1"	1
22	000088	Height Adjustable T Armrest Bracket	1
23a	102452	Waterfall Arm Pad Full	1
23b	102521	Waterfall Arm Pad Desk	1
25	100658	M6 Nylock Nut Blk Zn	2
26	101592	M6 x 45 CLS10.9 DIN7991 FHCS BLKZC	2