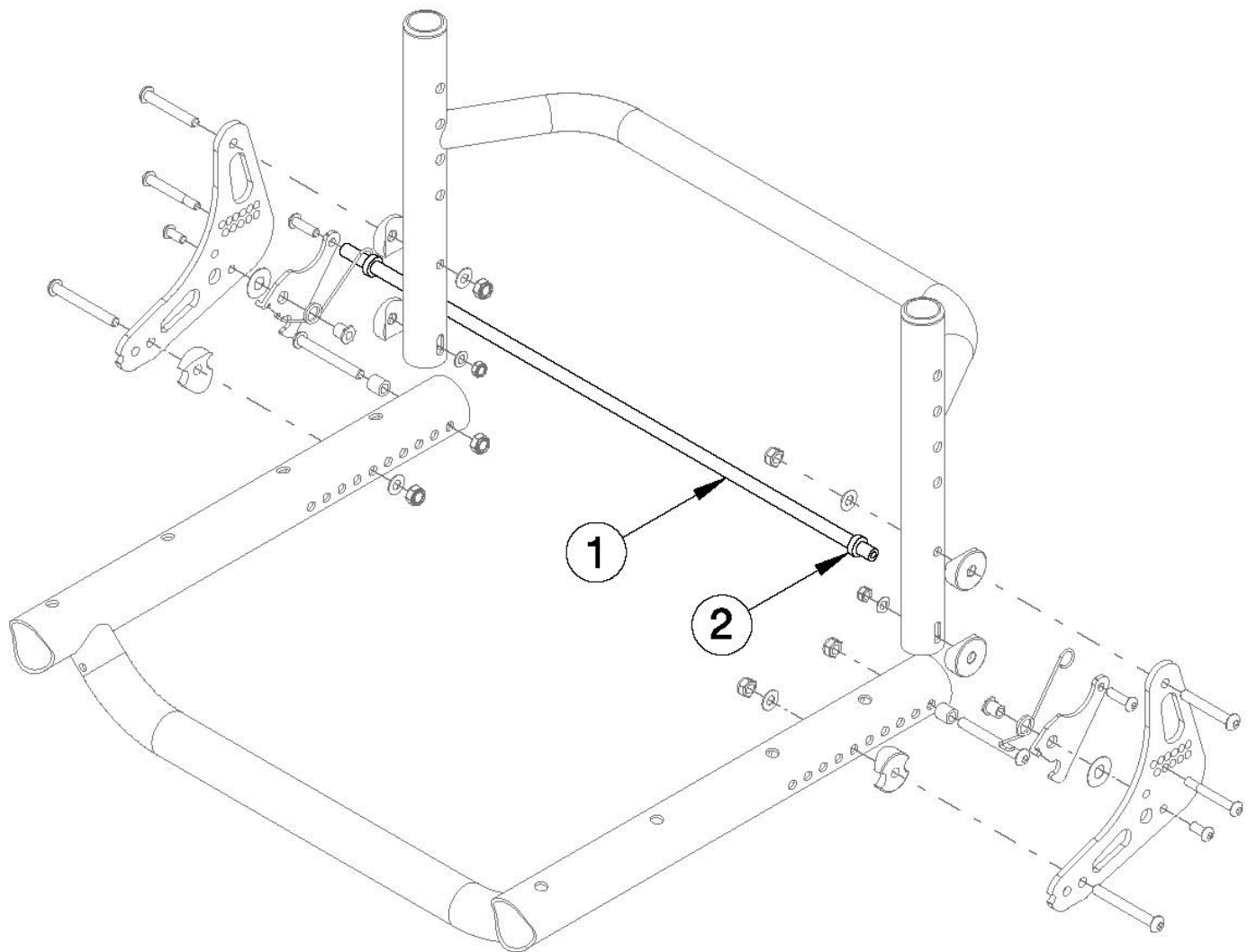


Tsunami AL Backrest Mount and Hardware - Growth



Backrest Release Bar based on seat width <p>

This Tsunami Backrest Mount and Hardware is only used with the Tsunami Style Backrest

Item Number	Part Number	Description	Quantity	Retail
1a, 2	503347	Backrest Release Bar with Retainers 14"	1	\$18.50
1b, 2	503348	Backrest Release Bar with Retainers 15"	1	\$18.50
1c, 2	503349	Backrest Release Bar with Retainers 16"	1	\$18.50
1d, 2	503350	Backrest Release Bar with Retainers 17"	1	\$18.50
1e, 2	503351	Backrest Release Bar with Retainers 18"	1	\$18.50
1f, 2	503352	Backrest Release Bar with Retainers 19"	1	\$18.50

Item Number	Part Number	Description	Quantity	Retail
1g, 2	503353	Backrest Release Bar with Retainers 20"	1	\$23.50
1h, 2	503354	Backrest Release Bar with Retainers 21"	1	\$23.50
1i, 2	503355	Backrest Release Bar with Retainers 22"	1	\$23.50