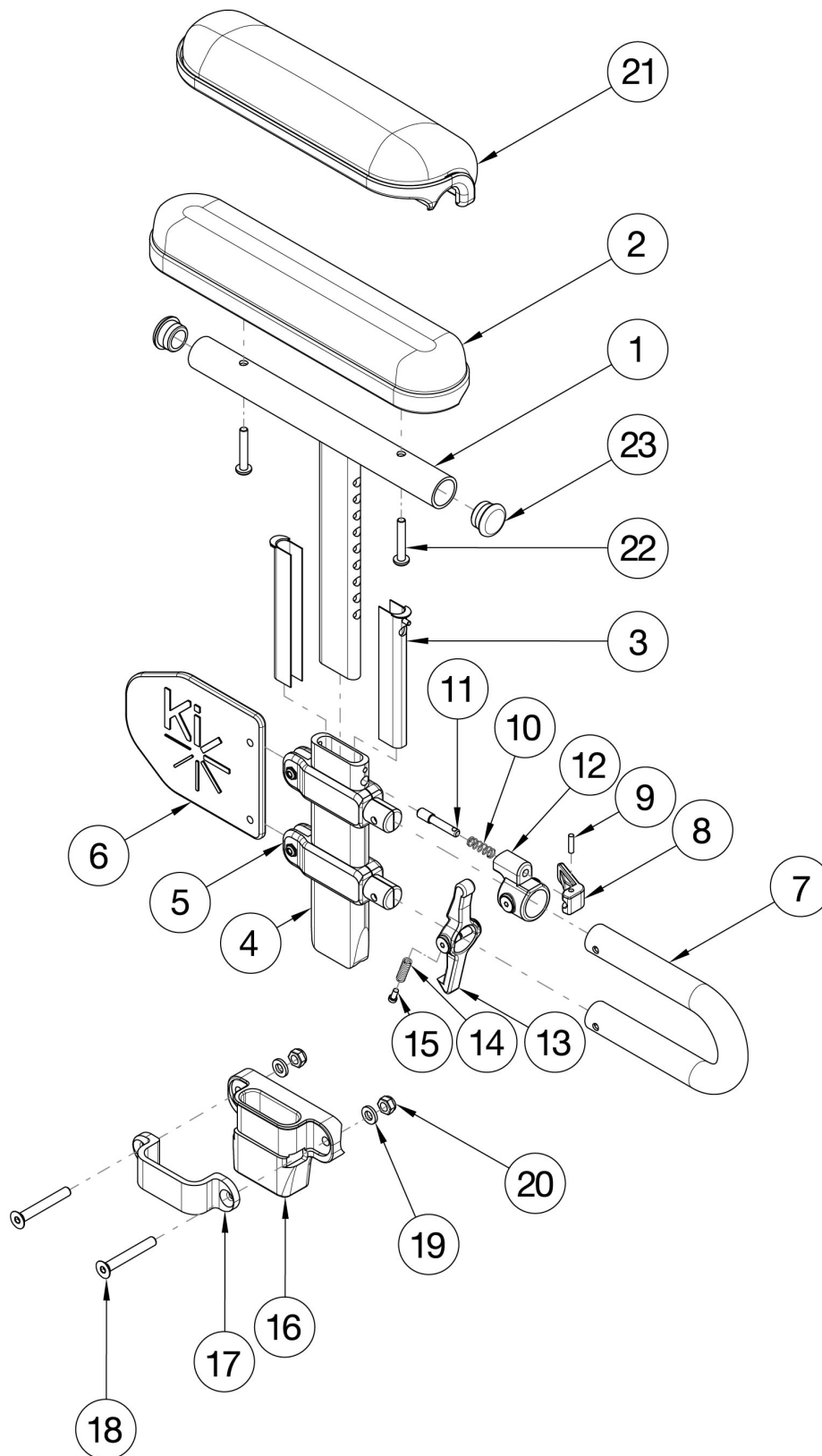


CR45 Height Adjustable T-Arm Low



If retrofitting, Receivers are needed. If retrofitting and Max Mags are present, spacer 112503 is required which can be found on CR45 Axle Plate page.

Item Number	Part Number	Description	Quantity
1a, 2b, 3-18, 19a, 20-22	121233	Height Adjustable T-Arm Assembly Low, Desk w/ Std Pad and Receiver Pair	1
1a, 2b, 3-18, 19a, 20-22	121235	Height Adjustable T-Arm Assembly Low, Desk w/ Std Pad and Receiver	1
1a, 2b, 3-15, 19a, 20	121241	Height Adjustable T-Arm Assembly Low, Desk w/ Std Pad	1
1b, 2a, 3-18, 19a, 20-22	116468	Height Adjustable T-Arm Assembly Low, Full w/ Std Pad and Receiver Pair	1
1b, 2a, 3-18, 19a, 20-22	116469	Height Adjustable T-Arm Assembly Low, Full w/ Std Pad and Receiver	1
1b, 2a, 3-15, 19a, 20	503169	Height Adjustable T-Arm Assembly Low Full w/ Std Pad	1
1b, 3-18, 19b, 20-22, 23a	121236	Height Adjustable T-Arm Assembly Low, Desk w/ Waterfall Pad and Receiver Pair	1
1a, 3-18, 19b, 20-22, 23b	121238	Height Adjustable T-Arm Assembly Low, Desk w/ Waterfall Pad and Receiver	1
1a, 3-15, 19b, 20, 23b	121243	Height Adjustable T-Arm Assembly Low, Desk w/ Waterfall Pad	1
1b, 3-18, 19b, 20-22, 23a	116474	Height Adjustable T-Arm Assembly Low, Full w/ Waterfall Pad and Receiver Pair	1
1b, 3-18, 19b, 20-22, 23a	116475	Height Adjustable T-Arm Assembly Low, Full w/ Waterfall Pad and Receiver	1
1b, 3-15, 19b, 20, 23a	503185	Height Adjustable T-Arm Assembly Low Full w/ Waterfall Pad	1
1a, 3-15, 20	114488	Height Adjustable T-Arm, Desk, Low <i>Replaced 002681 / 002682</i>	1
1b, 3-15, 20	002683	Arm T Height Adjustable Low, Full Right Assembly	1
1b, 3-15, 20	114489	Height Adjustable T-Arm, Full, Low <i>Replaced 002683 / 002684</i>	1
16 - 20	116477	Height Adjustable T-Arm Receiver Assembly 1" CAT	1
1a, 20	002648	Post Weldment, T-Arm, Low, Desk	1
1b, 20	002649	Post Weldment, T-Arm, Low, Full	1
2a	100500	Arm Pad Full	1
2b	100501	Arm Pad Desk	1
3	000090	Height Adjustable T Armrest Shim	2
4	002105	Tube, Outer, T-Arm, Low	1
7	002104	Transfer Tube, T-Arm, Low	1
9	200257	Dowel Pin 1/8 x 1/2	1

Item Number	Part Number	Description	Quantity
10	000134	Height Adjustable Armrest Lever Spring	1
11	000099	Height Adjustable Armrest Lever Pin	1
12	000096	Height Adjustable T Armrest Pin Lock Housing	1
8-12	500541	Arm Height Adjustable T Upper Lever Assembly	1
13	002106	Lever, T-Arm, Low	1
14	000135	Height Adjustable T Armrest Release Lever Spring	1
15	000152	Height Adjustable T Armrest Release Spring Button	1
16	000087	Height Adjustable T-Arm Receiver 1"	1
17	000088	Height Adjustable T Armrest Bracket	1
18	101592	M6 x 45 CLS10.9 DIN7991 FHCS BLKZC	2
19	100746	M6 Flat Washer Blk Zn	2
20	100658	M6 Nylock Nut Blk Zn	2
21a	102452	Waterfall Arm Pad Full	1
21b	102521	Waterfall Arm Pad Desk	1
22a	100696	M5 x 30mm PPH Capscrew <i>Used with Standard Arm Pads</i>	2
22b	100654	M5 x 40 DIN7985 PH Pan HD M/S ZC <i>Used with Waterfall Arm Pads</i>	2
23	100803	Tube End Plug 7/8"	2