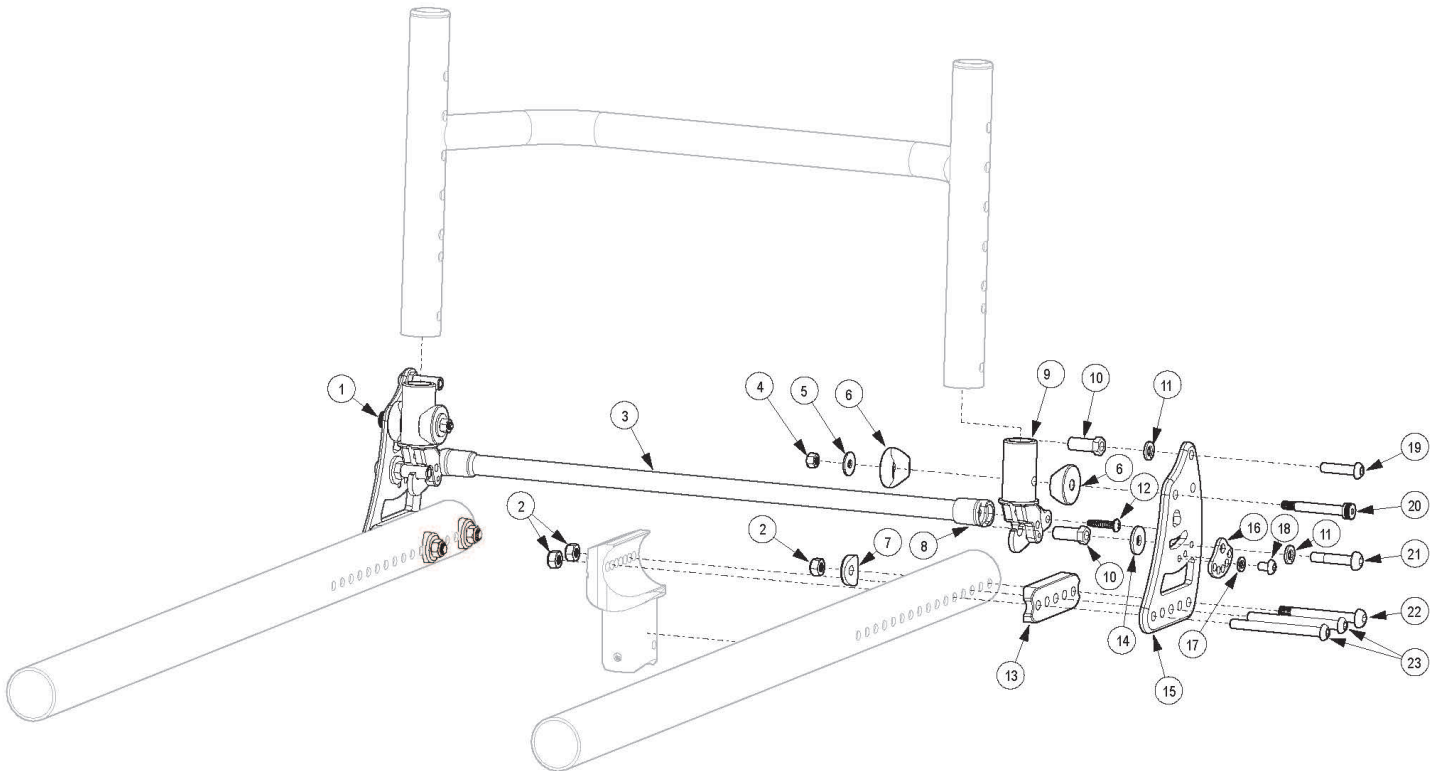


(Discontinued 1) Rogue Style Locking Backrest Mount and Hardware on Rogue ALX (Formerly Tsunami)



If chair has Rigid Locking Fold Down Back, please see Rogue ALX Backrest Mount and Hardware page. This Rogue Style Locking Backrest is not available with the Rogue ALX Heavy Duty option. If retrofitting to this backrest style, a minimum 1" of adjustable depth is required in addition to new back frames and backrest tubes.

Item Number	Part Number	Description	Quantity
1a	003711	Back Bracket Right, Black Anodized	1
1b	109564	Back Bracket with Transit and Hook Label, Black, Rigid	1
2	100658	M6 Nylock Nut Blk Zn	6
3a	003741	Backrest Release Bar 14" Wide, Black Anodized <i>Does not include the release bar ends. Verify if #8 is needed.</i>	1
3b	003742	Backrest Release Bar 15" Wide, Black Anodized <i>Does not include the release bar ends. Verify if #8 is needed.</i>	1
3c	003743	Backrest Release Bar 16" Wide, Black Anodized <i>Does not include the release bar ends. Verify if #8 is needed.</i>	1
3d	003744	Backrest Release Bar 17" Wide, Black Anodized	1

Item Number	Part Number	Description	Quantity
		<i>Does not include the release bar ends. Verify if #8 is needed.</i>	
3f	003746	Backrest Release Bar 19" Wide, Black Anodized <i>Does not include the release bar ends. Verify if #8 is needed.</i>	1
3g	003747	Backrest Release Bar 20" Wide, Black Anodized <i>Does not include the release bar ends. Verify if #8 is needed.</i>	1
4	103283	M5 Top Lock Nut BZ	2
5	103022	M5 Washer, Blk Zn	2
6	000055	Saddle 1"	4
7	003716	Saddle 1 3/8" Tube	2
10	003713	Strike Hex	4
11	101835	M6 Lock Washer Blk Zn	4
12	103279	#8-16 Tri-Lobular Plastic Screw BZ	2
13	003715	Back Saddle 1 3/8" Tube	2
14	101853	M6 Washer Blk Zn	2
15b	109564	Back Bracket with Transit and Hook Label, Black, Rigid	1
16	001762	Arc Adjustment Cam	2
17	102614	M5 Split Lock Washer BLK ZC	2
18	102621	M5 x 8 BHCS BLK ZC	2
19	101593	M6 x 25 BTN SHCS BLKZC	2
20	103284	M6 x 35 Shoulder Bolt BZ	2
21	103227	M6 x 30 Long Shoulder BHCS BZ	2
22	003232	M6 x 55 BHCS Blk Zc <i>Used when bolt goes through the tower and frame only. Also used when bolt goes through the frame, back bracket and back saddles.</i>	2
23a	107138	M6 x 65, BHCS, P/THD BLZ <i>Used when bolt goes through the tower, frame, back bracket and back saddle</i>	4
23b	101781	M6 x 50mm Partial Thread BHCS Blk ZC <i>Used when bolt goes through the frame, back bracket and back saddle</i>	4