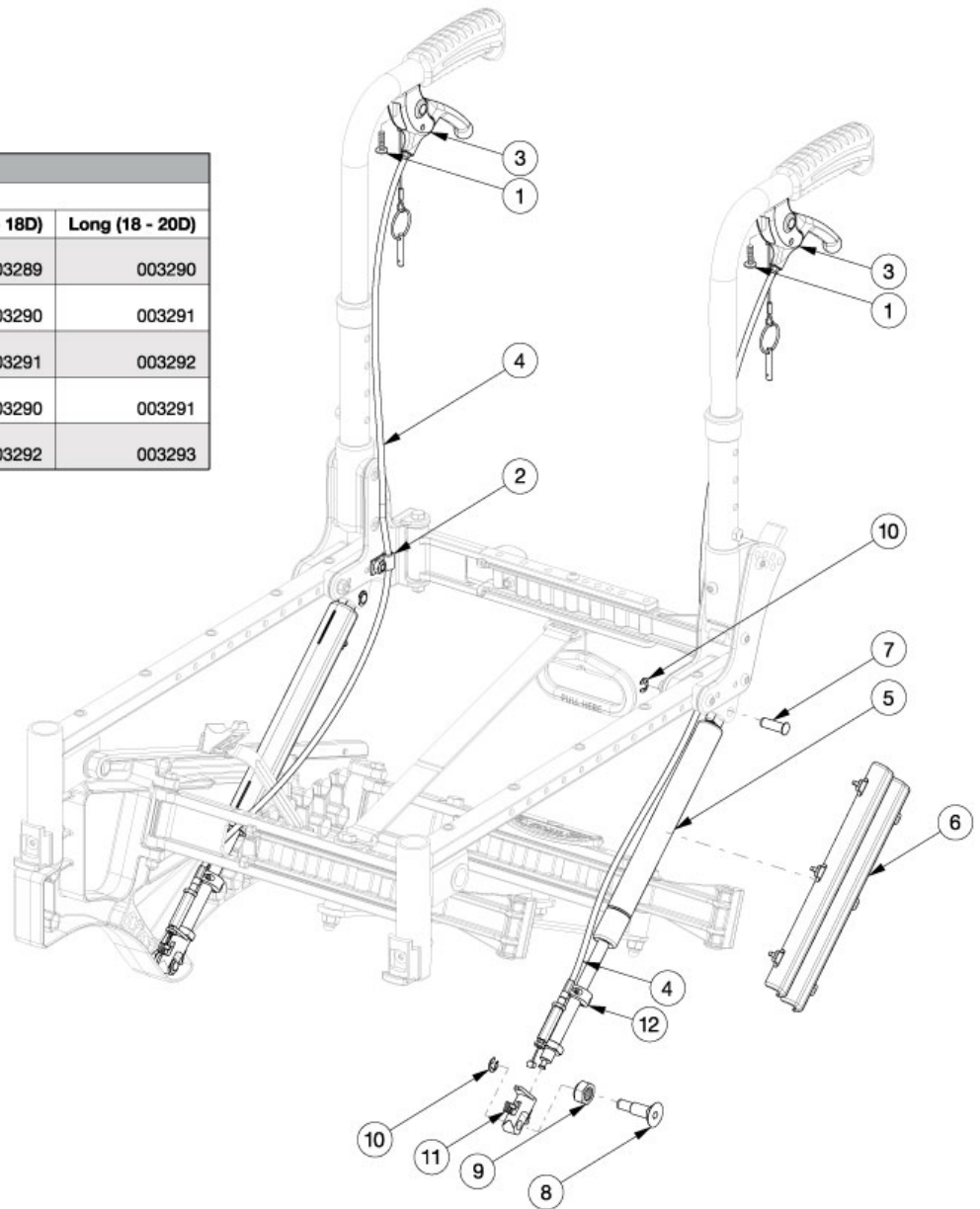


Liberty Tilt Mechanism

Cable Lengths			
Back Post Type	Seat Depth Range		
	Short (14 - 16D)	Medium (16 - 18D)	Long (18 - 20D)
Height Adj. Short	003288	003289	003290
Height Adj. Medium	003289	003290	003291
Height Adj. Tall	003290	003291	003292
Stroller Handle Short	003289	003290	003291
Stroller Handle Tall	003291	003292	003293



If changing to a new back post style or height, a new tilt cable may be required. If Drum Brake is present, see Liberty Drum Brake page November 2023 reflects new version, does not require any other parts to be changed.

Item Number	Part Number	Description	Quantity
1-3, 4a	506801	Cable/Trigger Kit with Short Cable, Liberty	1
1-3, 4b	506802	Cable/Trigger Kit with Medium Cable, Liberty	1
1-3, 4c	506803	Cable/Trigger Kit with Long Cable, Liberty	1
1-3, 4d	506804	Cable/Trigger Kit with XL Cable, Liberty	1

Item Number	Part Number	Description	Quantity
1-3, 4e	506805	Cable/Trigger Kit with XXL Cable, Liberty	1
1-3, 4f	506806	Cable/Trigger Kit with XXXL Cable, Liberty	1
5a, 6-11	506150	Gas Spring Kit, 450N, Liberty	1
5b, 6-11	506149	Gas Spring Kit, 300N, Liberty	1
1	100734	M5 x 16 PHMS ZC	2
2	001239	P-Clip 3/16"	2
3	003285	Lever Assembly, Angle 135°	2
4a	003288	Cable, Tilt, Short	2
4b	003289	Cable, Tilt, Medium	2
4c	003290	Cable, Tilt, Long	2
4d	003291	Cable, Tilt, XL	2
4e	003292	Cable, Tilt, XXL	2
4f	003293	Cable, Tilt, XXXL	2
5a, 6, 11	506508	Gas Spring, 95mm Stroke, 450N with Cover, Liberty <i>Used on Widths 18" and greater (Default Setting)</i>	2
5b, 6, 11	506509	Gas Spring, 95mm Stroke, 300N with Cover, Liberty <i>Used on Widths less than 18" (Default Setting)</i>	2
7	003282	Clevis Pin, 8mm x .830Lg	2
8	003283	Gas Spring Mount Screw	2
9	101840	M10 Nylock Nut Blk Zn	2
10	102335	E-Ring 5/16" SS	4
11	111877	Gas Strut Lug, Liberty <i>Includes replacement instructions</i>	1
12	102904	Tilt Stop Flip / Liberty / Arc	1