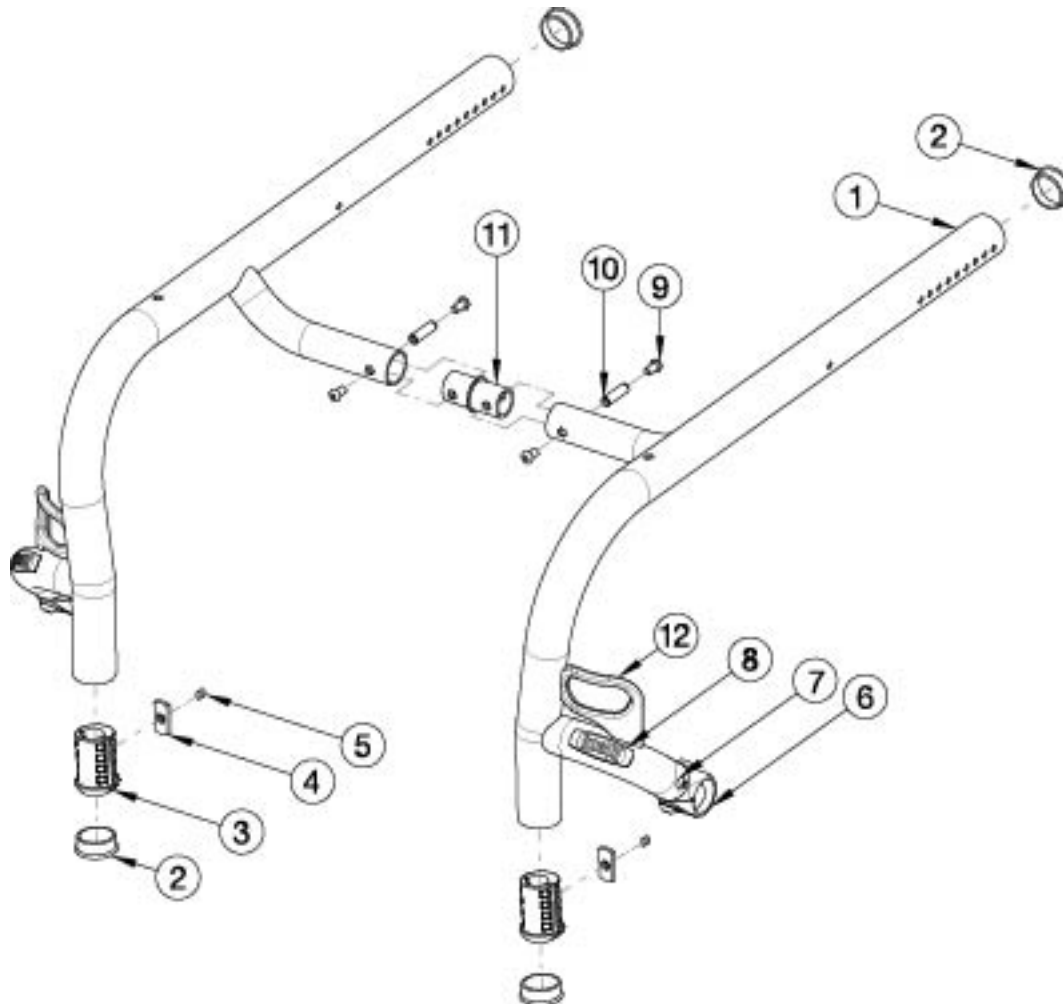


# Rogue XP Rigid Frame



Contact Customer Service for replacement frame quote. Serial Number required upon quote. If quoting a Frame for Australia or New Zealand, 122921 is required when transit is not present.

Item Number	Part Number	Description	Quantity
9, 10, 11b	501331	Connector Assembly Frame 1" w/ Hardware <i>Used with 16" seat width</i>	1
9, 10, 11c	501332	Connector Assembly Frame 2" w/ Hardware <i>Used with 17" seat width</i>	1
9, 10, 11d	501333	Connector Assembly Frame 3" w/ Hardware <i>Used with 18" seat width</i>	1
2	101113	Tube End Plug 1 3/8" <i>Use quantity 4 with high-mounted footrests. Extra plugs are inserted into front of frame.</i>	2
3	001346	Footrest Sleeve 3/4" to 1 3/8" <i>Used only with frame-inserted footrests. Use item number 2 with high mounted footrests.</i>	2

Item Number	Part Number	Description	Quantity
4a	001141	Weld Nut NDM 06028 Zinc <i>Used only with frame-inserted footrests. Use item number 2 with high mounted footrests.</i>	2
4b	102092	M6 Weld Nut Offset <i>Used only as needed with frame-inserted footrests. Use item number 2 with high mounted footrests.</i>	2
5	102090	M6 Set Screw Flat Point <i>Used only with frame-inserted footrests. Use item number 2 with high mounted footrests.</i>	2
8	002473	Aluminum Wing Badge Rogue	2
9	100667	M6 x 12 BTN SHCS BLKZC w/Patch <i>Not included on 18" wide frame</i>	4
10	000980	M6 x 27.69 Threaded Barrel <i>Not included on 18" wide frame</i>	2
11a	000585	Frame Connector 0" LW/RG <i>Used with 10"-15" seat widths</i>	1
11b	000586	Frame Connector 1" LW/RG <i>Used with 16" seat width</i>	1
11c	000587	Frame Connector 2" LW/RG <i>Used with 17" seat width</i>	1
11d	000588	Frame Connector 3" LW/RG <i>Used with 18" seat width</i>	1
	122921	Not AS/NZS 3696.19 Compliant On-Chair Label with Instruction	1

# Color Anodizing Samples

