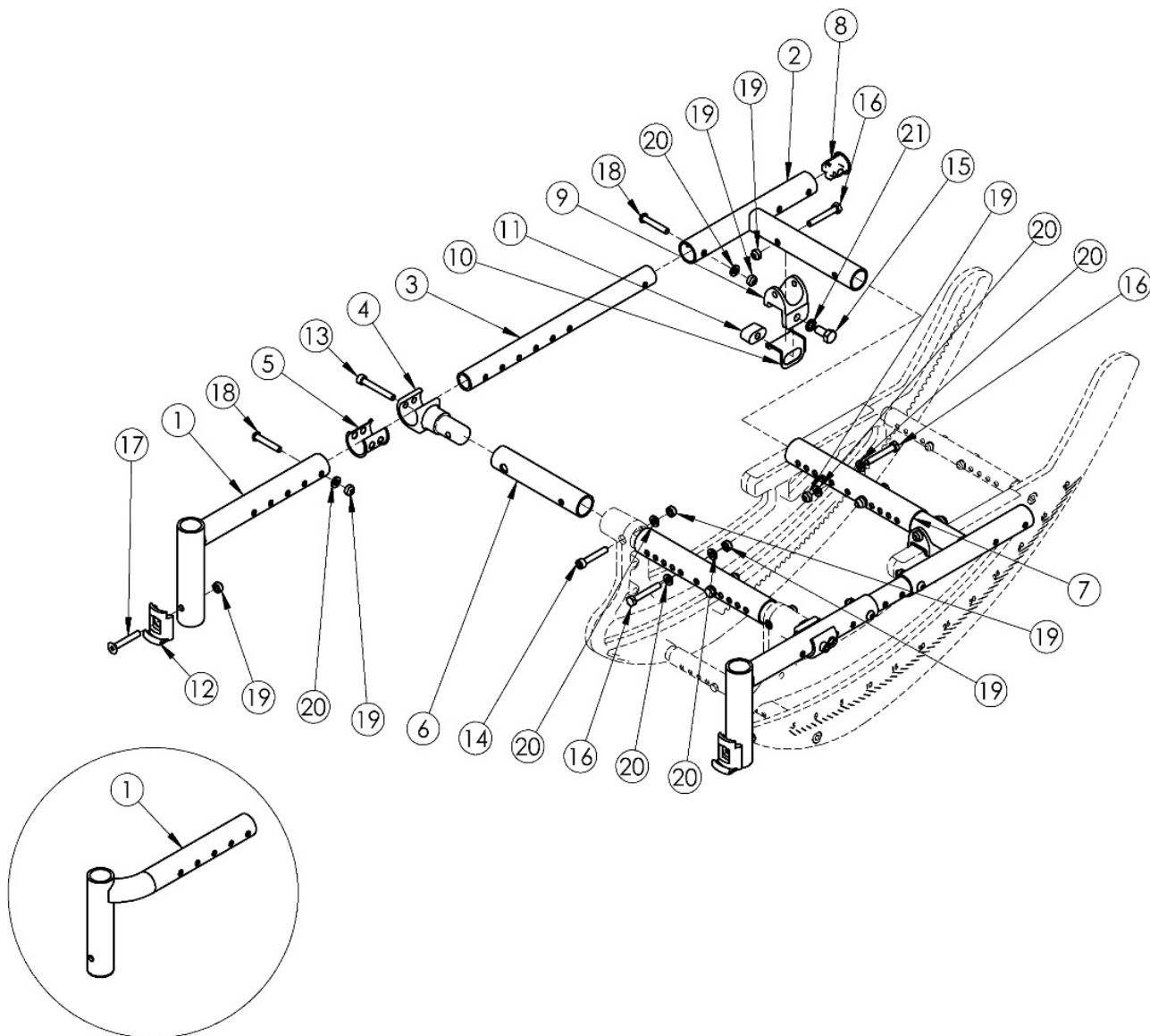


Focus CR Seat Frame



Offset seat tube (1d-1i)

If changing to Offset Seat Tubes (Offset Hangers), Tilt Stops are required and new sized footplates and heel loops may also be required <p>

Seat Frame Assemblies based on Frame Depth Range <p>

If chair has Contracture Footrests, select Seat Frame Assembly Contracture Focus kit. The appropriate Seat Tube will be included on the Hanger - Contracture Footrest page.

Item Number	Part Number	Description	Quantity	Retail
1a	001038	Seat Tube Weld Front Short TILT	2	\$94.15
1b	001039	Seat Tube Weld Front Medium TILT	2	\$94.15

Item Number	Part Number	Description	Quantity	Retail
1c	001040	Seat Tube Weld Front Long HD	2	\$159.59
1d	001046	Seat Tube Weld Front Offset Right Short TILT	1	\$89.67
1e	001047	Seat Tube Weld Front Offset Right Medium TILT	1	\$89.67
1f	001048	Seat Tube Weld Front Offset Right Long HD TILT	1	\$159.59
1g	001049	Seat Tube Weld Front Offset Left Short TILT	1	\$89.67
1h	001050	Seat Tube Weld Front Offset Left Medium TILT	1	\$89.67
1i	001051	Seat Tube Weld Front Offset Left Long HD TILT	1	\$159.59
1a, 2 - 6, 8 - 11, 13 - 16, 18 - 21	501073	Seat Frame Assm Short Standard Focus	1	\$850.07
1b, 2 - 6, 8 - 11, 13 - 16, 18 - 21	501074	Seat Frame Assm Medium Standard Focus	1	\$850.07
1c, 2 - 6, 8 - 11, 13 - 16, 18 - 21	501075	Seat Frame Assm Long Standard Focus	1	\$1,096.01
1d, 1g, 2 - 6, 8 - 11, 13 - 16, 18 - 21	501076	Seat Frame Assm Short Offset Focus	1	\$850.07
1e, 1h, 2 - 6, 8 - 11, 13 - 16, 18 - 21	501077	Seat Frame Assm Medium Offset Focus	1	\$850.07
1f, 1i, 2 - 6, 8 - 11, 13 - 16, 18 - 21	501078	Seat Frame Assm Long Offset Focus	1	\$1,096.01
1d, 1g, 2 - 6, 8 - 11, 13 - 16, 18 - 21	506502	Seat Frame Assembly Short Offset with Tilt Stops Focus <i>Includes a pair of Tilt Stops. Tilt Stops not shown in image.</i>	1	\$883.17
1e, 1h, 2 - 6, 8 - 11, 13 - 16, 18 - 21	506503	Seat Frame Assembly Medium Offset with Tilt Stops Focus <i>Includes a pair of Tilt Stops. Tilt Stops not shown in image.</i>	1	\$883.17
1f, 1i, 2 - 6, 8 - 11, 13 - 16, 18 - 21	506504	Seat Frame Assembly Long Offset with Tilt Stops Focus <i>Includes a pair of Tilt Stops. Tilt Stops not shown in image.</i>	1	\$1,129.11
2-6, 8-11, 13-16, 18-21	115979	Seat Frame Assembly Contracture Focus	1	\$755.92
7a, 16, 19, 20	501126	Seat Frame Strut Assm Small Focus	1	\$49.81
7b, 16, 19, 20	501127	Seat Frame Strut Assm Medium Focus	1	\$49.81
7c, 16, 19, 20	501128	Seat Frame Strut Assm Large Focus	1	\$49.81
7d, 16, 19, 20	114276	Seat Frame Strut Assm X-Large Focus	1	\$66.19
2	111168	Seat Tube Weldment Steel, Rear	2	\$81.98

Item Number	Part Number	Description	Quantity	Retail
		<i>Replaced part number 001055</i>		
3	001061	Growth Tube Seat Frame TILT	2	\$40.98
4	001034	Clamp Seat Tube Front TILT	2	\$53.84
5	001035	Sleeve Seat Tube Clamp TILT	2	\$3.78
6	001033	Strut End Seat TILT	2	\$25.98
7a	001011	Growth Strut, Base, Small Tilt	2	\$19.86
7b	001012	Growth Strut, Base, Medium Tilt	2	\$19.86
7c	001013	Growth Strut, Base, Large Tilt	2	\$19.86
7d	112005	Growth Strut, Base, X-Large Tilt	2	\$22.05
8	001028	Tube Plug 1" x .824"	2	\$6.86
9	001062	Saddle Rear Seat Strut TILT	2	\$52.73
10	001063	Liner Saddle Rear TILT	2	\$3.31
11	001064	Rear Seat Retainer TILT	2	\$11.03
12	000336	Latch Block	2	\$39.40
13	101472	M6 x 45 SHCS BLK ZC	2	\$1.66
14	101810	M6 x 35 SHCS BLK ZC	2	\$1.10
15	101828	M8 x 18 HHCS Blk Zn	2	\$1.66
16	101825	M6 x 40 HHCS Blk Zn	6	\$1.10
17	101819	M6 x 40 FHCS Blk Zn	2	\$1.10
18	101811	M6 x 35 BHCS Blk Zn	4	\$1.10
19	100658	M6 Nylock Nut Blk Zn	14	\$1.10
20	100746	M6 Flat Washer Blk Zn	14	\$1.66
21	101834	M8 Hi-Collar Lockwasher Blk Zn	2	\$0.56