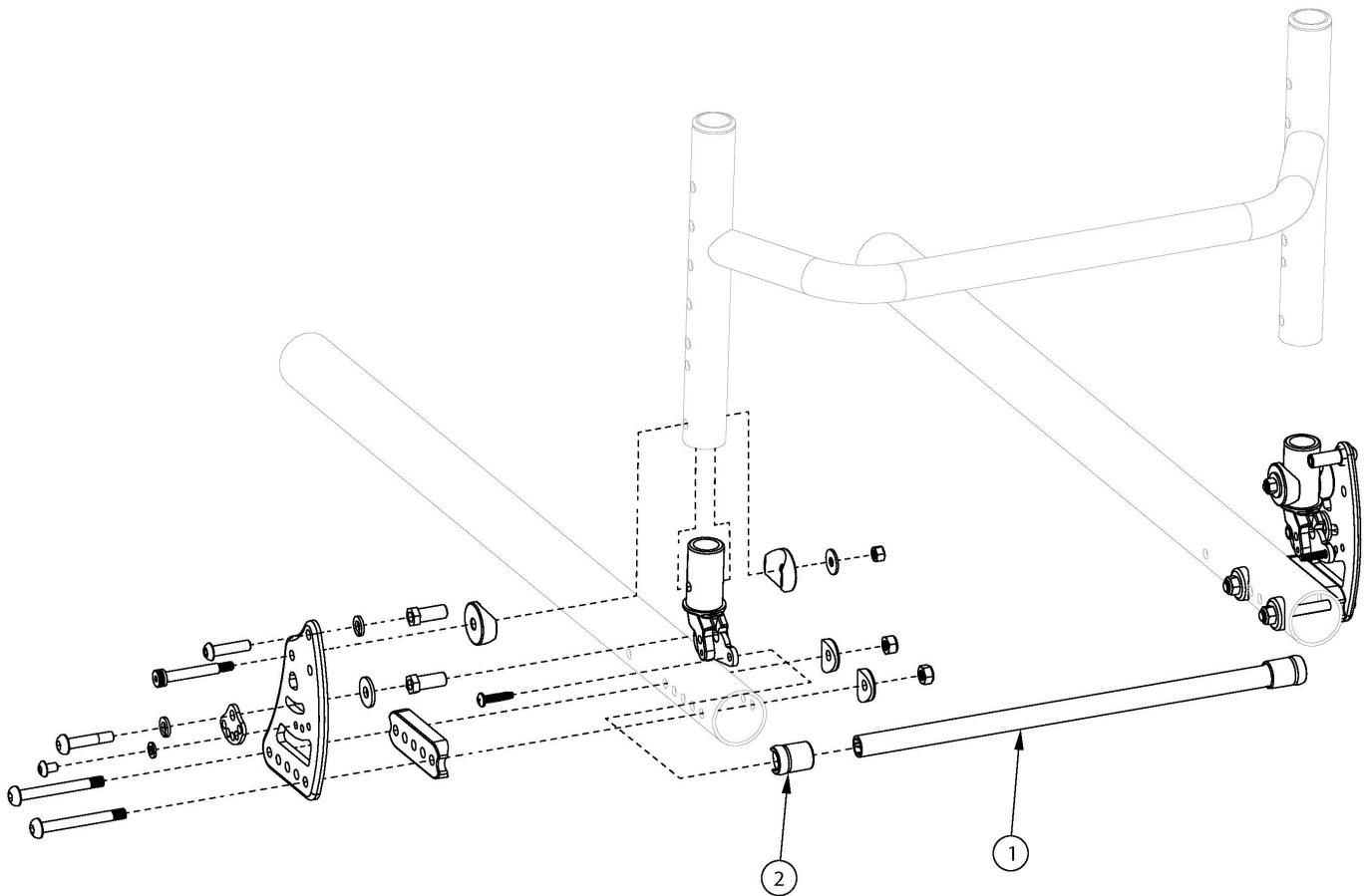


(Discontinued 2) Rogue Backrest Mount and Hardware - Growth



If chair has the Rigid Locking Fold Down Back, please see [Rogue Backrest Mount and Hardware - Growth](#) page. This Rogue Backrest Mount and Hardware is effective starting with serial number RG0016612. If quoting growth parts for a Discontinued Rogue with XP option, see [Discontinued Rogue Backrest Mount and Hardware - Growth](#) page. If you have a Rogue XP, see the [Rogue XP Backrest Mount](#) pages.