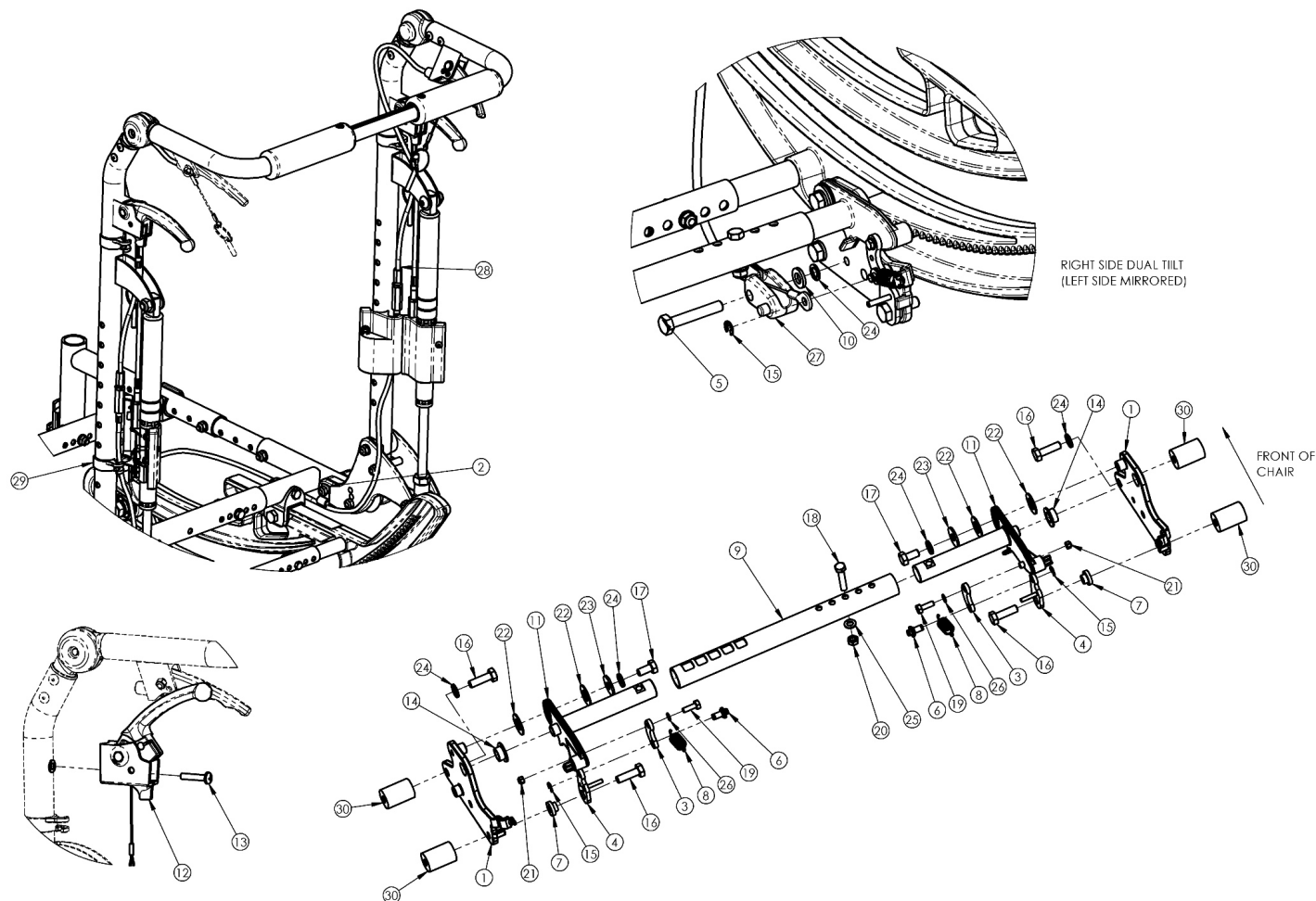


(Discontinued 1) Focus CR Dual Hand Tilt Mechanism

Reclining Back



This Focus CR Hand Tilt is discontinued and was used on chairs with serial numbers prior to FCR0025162 and FCHD002316.

Item Number	Part Number	Description	Quantity
2, 12, 13, 28a, 29	503777	Dual Hand Tilt / Trigger Kit for Short Stroller Handle/Fixed Height/Recline Back, Focus	1
2, 12, 13, 28b, 29	503778	Dual Hand Tilt / Trigger Kit for Tall Stroller Handle/Fixed Height/Recline Back, Focus	1
1a, 14	503779	Tilt Lock Mount Bracket w/ Bearing Kit, Right, Focus, Dual Fixed Height	1
1b, 14	503780	Tilt Lock Mount Bracket w/ Bearing Kit, Left, Focus, Dual Fixed Height	1
2	001239	P-Clip 3/16"	2
4a	002084	Toggle, Drive, Tilt, R	1
4b	002085	Toggle, Drive, Tilt, L	1

Item Number	Part Number	Description	Quantity
5	101824	M6 X 30 Hhcs Blk Zn	2
6	003364	Pin, Toggle, Tilt	2
9a	002094	Growth Strut, Tilt Lock, Small	1
9b	002095	Growth Strut, Tilt Lock, Med	1
9c	002096	Growth Strut, Tilt Lock, Large	1
10	102803	Washer Flat .250 X .500 X .027 Hx Blz	2
12, 13	110139	Lever Assembly with Lanyard Vertical Tilt	2
13	100734	M5 x 16 PHMS ZC	2
16a	101823	M6 X 20 Hhcs Blk Zn	4
16b	100674	M6 x 45 CLS10.9 DIN931 HHCS ZC <i>Used with Heavy Duty option/spacer</i>	2
16c	101826	M6 x 50 HHCS Blk Zn <i>Used with Heavy Duty option/spacer</i>	2
17	101822	M6 x 12 HHCS BLKZC w/Patch	2
18	101821	M5 x 25 HHCS Blk Zn	1
19	102783	M3 x 12 HHCS, CL8.8, Blk Zn	2
20	100657	M5 Nylock Nut Blk Zn	1
21	102784	Nut, Nylock, M3, Blk	2
22	102082	Washer Nylon .406IDX.75ODX.040	4
23	101853	M6 Washer Blk Zn	2
24	101835	M6 Lock Washer Blk Zn	5
25	101856	Flat Washer, M5, Blk Zn	1
26	102785	Flat Washer, M3, Blk Zn	2
27	003387	Cable Mount, Tilt	2
28a	002100	Cable, Tilt, Short <i>Used with short back height range</i>	2
28b	002101	Cable, Tilt, Med <i>Used with tall back height range</i>	2
29	001117	Cable Clip 1"	4

Item Number	Part Number	Description	Quantity
30	001405	Spacer, .69OD x .24ID x .1.01Lg <i>Only used with Heavy Duty Option</i>	4