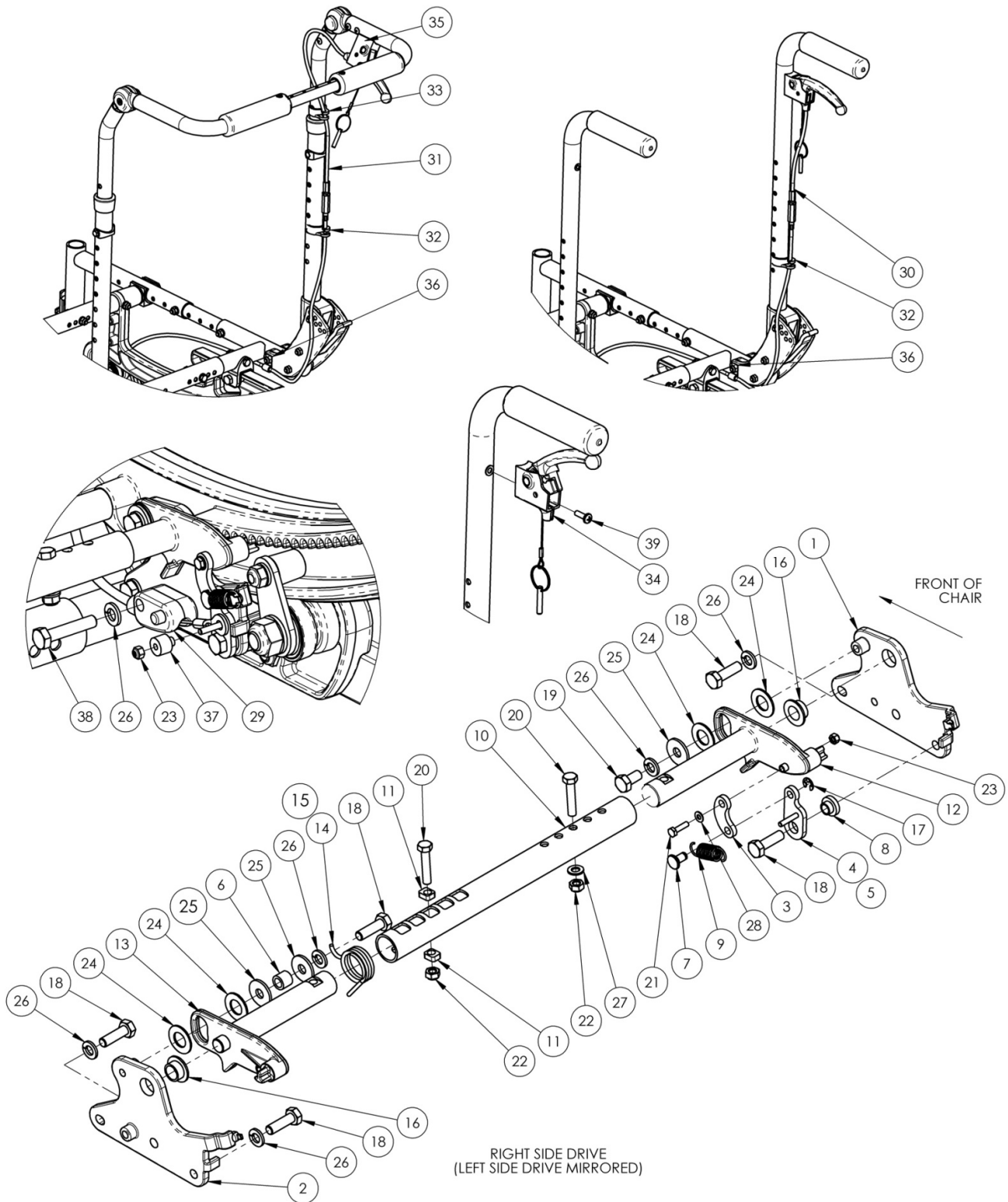


(Discontinued 2) Focus CR Hand Tilt Mechanism



This Focus CR Hand Tilt is discontinued and was used on serial numbers from FCR0013026 to FCR0016745 or prior to FCHD002213.

Item Number	Part Number	Description	Quantity	Retail
1, 16	502690	Tilt Lock Mount Bracket w/ Bearing Kit, Right Focus	1	\$19.27
2, 16	502691	Tilt Lock Mount Bracket w/ Bearing Kit, Left Focus	1	\$19.27
4	002084	Toggle, Drive, Tilt, R	1	\$11.28
5	002085	Toggle, Drive, Tilt, L	1	\$20.45
6	002086	Spacer, .38ODx.24IDx.31LG	1	\$2.42
10a	002094	Growth Strut, Tilt Lock, Small	1	\$33.62
10b	002095	Growth Strut, Tilt Lock, Med	1	\$35.72
10c	002096	Growth Strut, Tilt Lock, Large	1	\$37.82
11	002097	Insert, Drive, Tilt	2	\$3.86
12	002411	Cog Lever, Tilt Lock, R	1	\$38.59
13	002412	Cog Lever, Tilt Lock, L	1	\$38.59
14	001109	Spring Tilt Lock Right TILT <i>Used with left side assembly</i>	1	\$4.71
15	001110	Spring Tilt Lock Left TILT <i>Used with right side assembly</i>	1	\$4.71
18	101823	M6 x 20 HHCS Blk Zn	5	\$1.05
19	101822	M6 x 12 HHCS BLKZC w/Patch	1	\$1.05
20	101821	M5 x 25 HHCS Blk Zn	2	\$1.05
21	102783	M3 x 12 HHCS, CL8.8, Blk Zn	1	\$1.05
22	100657	M5 Nylock Nut Blk Zn	2	\$0.53
23	102784	Nut, Nylock, M3, Blk	2	\$1.05
24	102082	Washer Nylon .406IDX.75ODX.040	4	\$0.56
25	101853	M6 Washer Blk Zn	3	\$0.53
26	101835	M6 Lock Washer Blk Zn	5	\$0.53
27	101856	Flat Washer, M5, Blk Zn	1	\$0.53
28	102785	Flat Washer, M3, Blk Zn	1	\$0.53
30a	002100	Cable, Tilt, Short	1	\$107.16

Item Number	Part Number	Description	Quantity	Retail
30b	002101	Cable, Tilt, Med	1	\$107.16
31a	002102	Cable, Tilt, Long	1	\$110.35
31b	002103	Cable, Tilt, XL	1	\$110.80
32	001117	Cable Clip 1"	1	\$3.83
33	001118	Cable Clip 7/8"	1	\$3.83
34, 39	110139	Lever Assembly with Lanyard Vertical Tilt	1	\$34.00
35	002801	Lever Assembly Horizontal Tilt	1	\$13.52
36	001239	P-Clip 3/16"	1	\$6.30
37	002090	Drive Bushing, Tilt Lock	1	\$2.79
38	101824	M6 x 30 HHCS Blk Zn	1	\$2.10
39	100734	M5 x 16 PHMS ZC	1	\$1.58