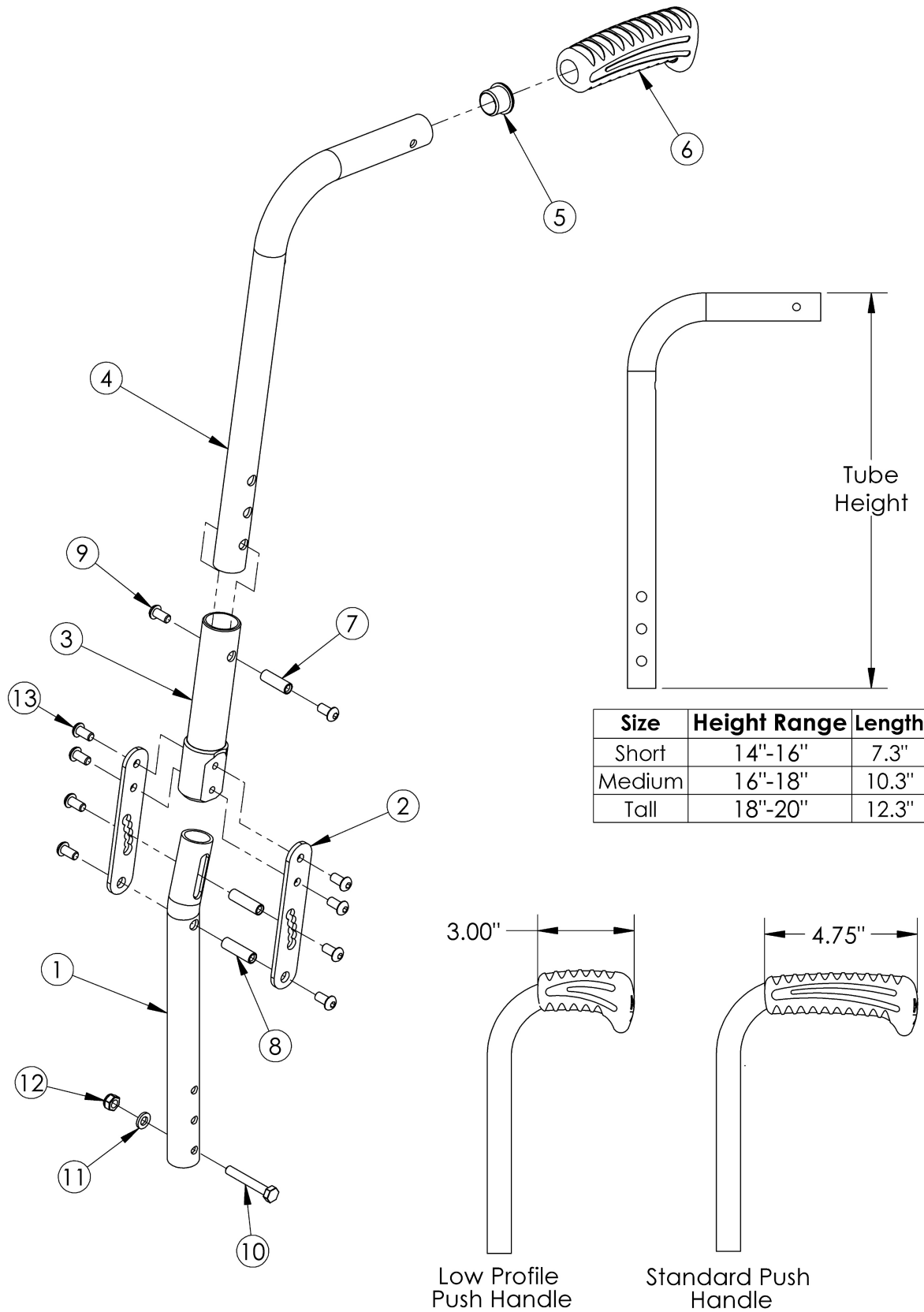


Catalyst Angle Adjustable Backrest



Size	Height Range	Length
Short	14"-16"	7.3"
Medium	16"-18"	10.3"
Tall	18"-20"	12.3"

Low Profile Push Handle

Standard Push Handle

Low Profile Push Handles are not available with Heavy Duty Option or Drum Brake If changing from another style backrest and the Drum Brake is present, a new Drum Brake Cable Kit may be If Anti-Rollback is present, see Back Tubes for Anti-Rollback System

Item Number	Part Number	Description	Quantity
1 - 3, 7 - 13	500031	Angle Adjustable Back Post Lower Assembly, Catalyst	1
4a, 5, 6a	500032	Angle Adjustable Back Post Short Upper Assembly with Standard Push Handle <i>Used if drum brake is not present</i>	1
4b, 5, 6a	500033	Angle Adjustable Back Post Medium Upper Assembly with Standard Push Handle <i>Used if drum brake is not present</i>	1
4c, 5, 6a	500034	Angle Adjustable Back Post Tall Upper Assembly with Standard Push Handle <i>Used if drum brake is not present</i>	1
4d, 5, 6a	113315	Backtube Angle Adjustable Upper w/ Push Handle Short with Backcane Extension, Catalyst <i>Used if drum brake is present. To view the backcane extension included in this kit, see the Catalyst 5 or Catalyst 5VX Drum Brake page</i>	1
4e, 5, 6a	113308	Backtube Angle Adjustable Upper w/ Push Handle Medium with Backcane Extension, Catalyst <i>Used if drum brake is present. To view the backcane extension included in this kit, see the Catalyst 5 or Catalyst 5VX Drum Brake page</i>	1
4f, 5, 6a	113309	Backtube Angle Adjustable Upper w/ Push Handle Tall with Backcane Extension, Catalyst <i>Used if drum brake is present. To view the backcane extension included in this kit, see the Catalyst 5 or Catalyst 5VX Drum Brake page</i>	1
4a, 5, 6b	002755	Angle Adjustable Back Post Short Upper Assembly with Low Profile Push Handle	1
4b, 5, 6b	002756	Angle Adjustable Back Post Medium Upper Assembly with Low Profile Push Handle	1
4c, 5, 6b	002757	Angle Adjustable Back Post Tall Upper Assembly with Low Profile Push Handle	1
1	000146	Angle Adjustable Backrest Tube Lower CAT	1
2	000148	Angle Adjustable Backrest Mounting Plate CAT	2
3	000147	Angle Adjustable Backrest Housing CAT	1
5	100803	Tube End Plug 7/8"	1
6a	109433	Ergo Push Handle Grip 7/8" Standard with Instruction	1
6b	109431	Ergo Push Handle Grip 7/8" Low Profile with Instruction	1
7	000065	M6 x 23.68 Threaded Barrel	1
8	000066	M6 x 27 Threaded Barrel	2
9	101184	M6 x 10 BTN SHCS BLKZC w/Patch	2
10	100681	M6 x 40 CLS8.8 DIN931 HHCS ZC	1

Item Number	Part Number	Description	Quantity
11	100746	M6 Flat Washer Blk Zn	1
12	100658	M6 Nylock Nut Blk Zn	1
13	100667	M6 x 12 BTN SHCS BLKZC w/Patch	8