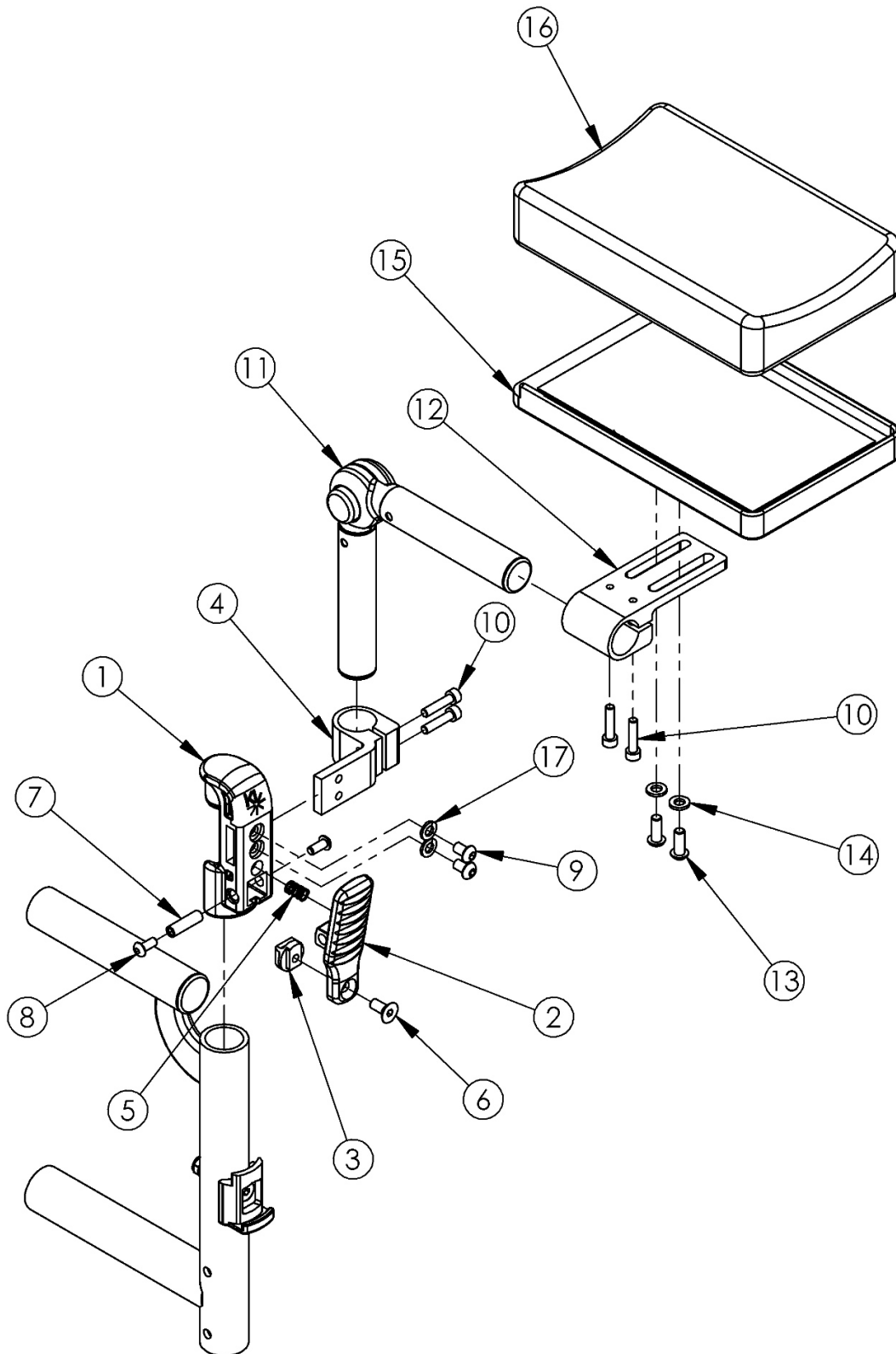


Residual Limb Support



| Item Number | Part Number | Description | Quantity |
|--------------------|-------------|---|----------|
| 1-14, 15a, 16a, 17 | 502342 | Residual Limb Support Assembly, Mesh 5 x 8, Right | 1 |
| 1-14, 15a, 16a, 17 | 502343 | Residual Limb Support Assembly, Mesh 5 x 8, Left | 1 |
| 1-14, 15b, 16b, 17 | 502344 | Residual Limb Support Assembly, Mesh 7 x 10, Right | 1 |
| 1-14, 15b, 16b, 17 | 502345 | Residual Limb Support Assembly, Mesh 7 x 10, Left | 1 |
| 1-14, 15c, 16c, 17 | 502346 | Residual Limb Support Assembly, Mesh 9 x 10, Right | 1 |
| 1-14, 15c, 16c, 17 | 502347 | Residual Limb Support Assembly, Mesh 9 x 10, Left | 1 |
| 1-14, 15d, 16d, 17 | 502348 | Residual Limb Support Assembly, Mesh 9 x 14, Right | 1 |
| 1-14, 15d, 16d, 17 | 502349 | Residual Limb Support Assembly, Mesh 9 x 14, Left | 1 |
| 1-14, 15e, 16e, 17 | 502350 | Residual Limb Support Assembly, Mesh 11 x 10, Right | 1 |
| 1-14, 15e, 16e, 17 | 502351 | Residual Limb Support Assembly, Mesh 11 x 10, Left | 1 |
| 1-14, 15f, 16f, 17 | 502352 | Residual Limb Support Assembly, Mesh 11 x 14, Right | 1 |
| 1-14, 15f, 16f, 17 | 502353 | Residual Limb Support Assembly, Mesh 11 x 14, Left | 1 |
| 1-14, 15a, 16g, 17 | 502354 | Residual Limb Support Assembly, Smooth 5 x 8, Right | 1 |
| 1-14, 15a, 16g, 17 | 502355 | Residual Limb Support Assembly, Smooth 5 x 8, Left | 1 |
| 1-14, 15b, 16h, 17 | 502356 | Residual Limb Support Assembly, Smooth 7 x 10, Right | 1 |
| 1-14, 15b, 16h, 17 | 502357 | Residual Limb Support Assembly, Smooth 7 x 10, Left | 1 |
| 1-14, 15c, 16i, 17 | 502358 | Residual Limb Support Assembly, Smooth 9 x 10, Right | 1 |
| 1-14, 15c, 16i, 17 | 502359 | Residual Limb Support Assembly, Smooth 9 x 10, Left | 1 |
| 1-14, 15d, 16j, 17 | 502360 | Residual Limb Support Assembly, Smooth 9 x 14, Right | 1 |
| 1-14, 15d, 16j, 17 | 502361 | Residual Limb Support Assembly, Smooth 9 x 14, Left | 1 |
| 1-14, 15e, 16k, 17 | 502362 | Residual Limb Support Assembly, Smooth 11 x 10, Right | 1 |
| 1-14, 15e, 16k, 17 | 502363 | Residual Limb Support Assembly, Smooth 11 x 10, Left | 1 |
| 1-14, 15f, 16l, 17 | 502364 | Residual Limb Support Assembly, Smooth 11 x 14, Right | 1 |
| 1-14, 15f, 16l, 17 | 502365 | Residual Limb Support Assembly, Smooth 11 x 14, Left | 1 |
| 1-10, 17 | 502326 | Residual Limb Support Mount Assembly, Right | 1 |
| 1-10, 17 | 502327 | Residual Limb Support Mount Assembly, Left | 1 |
| 10,12-14 | 502329 | Residual Limb Support Clamp and Mounting Hardware Kit | 1 |

| Item Number | Part Number | Description | Quantity |
|-------------|-------------|---|----------|
| 1 | 002415 | Residual Limb Support Hanger | 1 |
| 2 | 002416 | Residual Limb Support Hanger Lever | 1 |
| 3 | 002417 | Residual Limb Support Hanger Lever Insert | 1 |
| 4 | 002418 | Residual Limb Support Bolt On Clamp | 1 |
| 5 | 100693 | Compression Spring 0.34" OD x 0.70 LG | 1 |
| 6 | 101594 | M6 x 14 CLS10.9 DIN7991 FSHCS BLKZC w/Patch | 1 |
| 7 | 000073 | M5 x 24 Threaded Barrel | 1 |
| 8 | 100669 | M5 x 10 BTN SHCS BLKZC w/Patch | 2 |
| 9 | 101184 | M6 x 10 BTN SHCS BLKZC w/Patch | 2 |
| 10 | 101843 | M5 x 20 SHCS Blk Zn | 4 |
| 11 | 502328 | Residual Limb Support Pad Mount Tube Assembly | 1 |
| 12 | 002656 | Pad Mount Clamp | 1 |
| 13 | 102634 | M6 X 1.0 X 16 BHCS BLK ZC | 2 |
| 14 | 100746 | M6 Flat Washer Blk Zn | 2 |
| 15a | 002697 | Ki Limb Support Base, 5 x 8 | 1 |
| 15b | 002698 | Ki Limb Support Base, 7 x 10 | 1 |
| 15c | 002699 | Ki Limb Support Base, 9 x 10 | 1 |
| 15d | 002700 | Ki Limb Support Base, 9 x 14 | 1 |
| 15e | 002701 | Ki Limb Support Base, 11 x 10 | 1 |
| 15f | 002702 | Ki Limb Support Base, 11 x 14 | 1 |
| 16a | 002600 | Ki Limb Support Pad with Mesh Cover, 5 x 8 | 1 |
| 16b | 002601 | Ki Limb Support Pad with Mesh Cover, 7 x 10 | 1 |
| 16c | 002602 | Ki Limb Support Pad with Mesh Cover, 9 x 10 | 1 |
| 16d | 002603 | Ki Limb Support Pad with Mesh Cover, 9 x 14 | 1 |
| 16e | 002604 | Ki Limb Support Pad with Mesh Cover, 11 x 10 | 1 |
| 16f | 002605 | Ki Limb Support Pad with Mesh Cover, 11 x 14 | 1 |
| 16g | 002606 | Ki Limb Support Pad with Smooth Cover, 5 x 8 | 1 |
| 16h | 002607 | Ki Limb Support Pad with Smooth Cover, 7 x 10 | 1 |

| Item Number | Part Number | Description | Quantity |
|-------------|-------------|--|----------|
| 16i | 002608 | Ki Limb Support Pad with Smooth Cover, 9 x 10 | 1 |
| 16j | 002609 | Ki Limb Support Pad with Smooth Cover, 9 x 14 | 1 |
| 16k | 002610 | Ki Limb Support Pad with Smooth Cover, 11 x 10 | 1 |
| 16l | 002611 | Ki Limb Support Pad with Smooth Cover, 11 x 14 | 1 |
| 17 | 101835 | M6 Lock Washer Blk Zn | 2 |
| 15a, 16a | 502330 | Residual Limb Support Base and Pad with Mesh Cover 5 x 8 | 1 |
| 15b, 16b | 502331 | Residual Limb Support Base and Pad with Mesh Cover 7 x 10 | 1 |
| 15c, 16c | 502332 | Residual Limb Support Base and Pad with Mesh Cover 9 x 10 | 1 |
| 15d, 16d | 502333 | Residual Limb Support Base and Pad with Mesh Cover 9 x 14 | 1 |
| 15e, 16e | 502334 | Residual Limb Support Base and Pad with Mesh Cover 11 x 10 | 1 |
| 15f, 16f | 502335 | Residual Limb Support Base and Pad with Mesh Cover 11 x 14 | 1 |
| 15a, 16g | 502336 | Residual Limb Support Base and Pad with Smooth Cover 5 x 8 | 1 |
| 15b, 16h | 502337 | Residual Limb Support Base and Pad with Smooth Cover 7 x 10 | 1 |
| 15c, 16i | 502338 | Residual Limb Support Base and Pad with Smooth Cover 9 x 10 | 1 |
| 15d, 16j | 502339 | Residual Limb Support Base and Pad with Smooth Cover 9 x 14 | 1 |
| 15e, 16k | 502340 | Residual Limb Support Base and Pad with Smooth Cover 11 x 10 | 1 |
| 15f, 16l | 502341 | Residual Limb Support Base and Pad with Smooth Cover 11 x 14 | 1 |