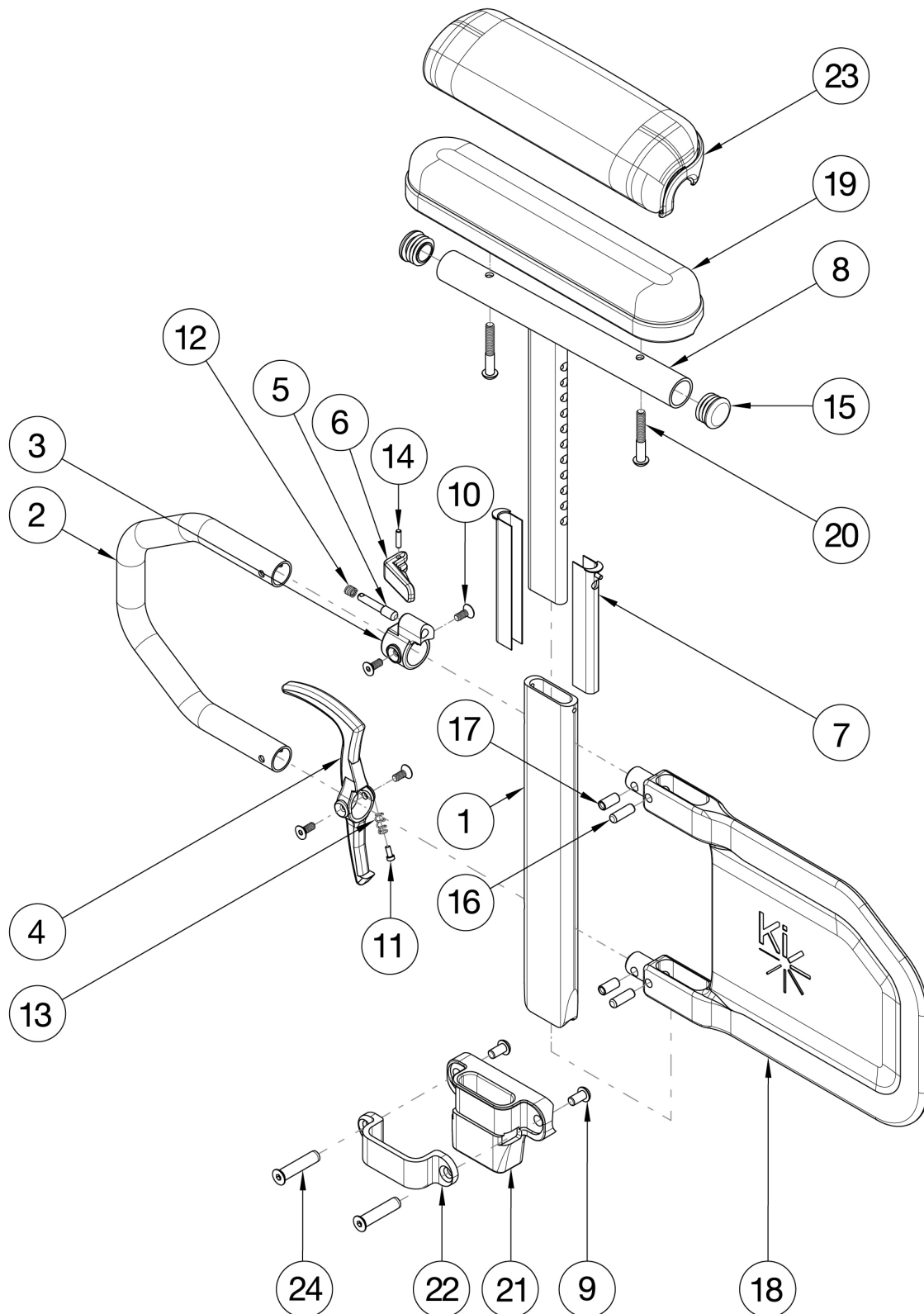


Catalyst Armrests - Height Adjustable Tall T-Arm



Receiver and Hardware update effective 11/25/24 Short assemblies are used with 14" - 17" Seat Depths. Long assemblies are used with 18" - 20" Seat Depths. If retrofiting, Receivers are needed. If retrofiting to Height Adjustable Tall T-Arms and One Arm Drive is present, a new drive shaft may be required. In addition to a new drive shaft, order the corresponding hardware kit: 109438 for Blade Style One Arm Drive, 503433 for Hex Style One Arm Drive or 112898 for Quick Release One Arm Drive.

Item Number	Part Number	Description	Quantity
1-7, 8b, 9-18b, 19a, 20a, 21, 22, 24	116202	Height Adj Tall T-Arm Assm w/Long Side Shield and Standard Pad Full, 1" Receiver	1
1-7, 8b, 9-18b, 19a, 20a, 21, 22, 24	116203	Height Adj Tall T-Arm Assm w/Long Side Shield and Standard Pad Full, 1" Receiver, Pair Cat	1
1-7, 8b, 9-18a, 19a, 20a, 21, 22, 24	116204	Height Adj Tall T-Arm Assm w/Short Side Shield and Standard Pad Full, 1" Receiver	1
1-7, 8b, 9-18a, 19a, 20a, 21, 22, 24	116205	Height Adj Tall T-Arm Assm w/Short Side Shield and Standard Pad Full, 1" Receiver, Pair Cat	1
1-7, 8a, 9-18b, 19b, 20a, 21, 22, 24	116210	Height Adj Tall T-Arm Assm w/Long Side Shield and Standard Pad Desk, 1" Receiver	1
1-7, 8a, 9-18b, 19b, 20a, 21, 22, 24	116211	Height Adj Tall T-Arm Assm w/Long Side Shield and Standard Pad Desk, 1" Receiver, Pair Cat	1
1-7, 8a, 9-18a, 19b, 20a, 21, 22, 24	116212	Height Adj Tall T-Arm Assm w/Short Side Shield and Standard Pad Desk, 1" Receiver	1
1-7, 8a, 9-18a, 19b, 20a, 21, 22, 24	116213	Height Adj Tall T-Arm Assm w/Short Side Shield and Standard Pad Desk, 1" Receiver, Pair Cat	1
1-7, 8b, 9-18b, 20b, 21, 22, 23a, 24	116206	Height Adj Tall T-Arm Assm w/Long Side Shield and Waterfall Pad Full, 1" Receiver	1
1-7, 8b, 9-18b, 20b, 21, 22, 23a, 24	116207	Height Adj Tall T-Arm Assm w/Long Side Shield and Waterfall Pad Full, 1" Receiver, Pair Cat	1
1-7, 8b, 9-18a, 20b, 21, 22, 23a, 24	116208	Height Adj Tall T-Arm Assm w/Short Side Shield and Waterfall Pad Full, 1" Receiver	1
1-7, 8b, 9-18a, 20b, 21, 22, 23a, 24	116209	Height Adj Tall T-Arm Assm w/Short Side Shield and Waterfall Pad Full, 1" Receiver, Pair Cat	1
1-7, 8a, 9-18b, 20b, 21, 22, 23b, 24	116214	Height Adj Tall T-Arm Assm w/Long Side Shield and Waterfall Pad Desk, 1" Receiver	1
1-7, 8a, 9-18b, 20b, 21, 22, 23b, 24	116215	Height Adj Tall T-Arm Assm w/Long Side Shield and Waterfall Pad Desk, 1" Receiver, Pair Cat	1
1-7, 8a, 9-18a, 20b, 21, 22, 23b, 24	116216	Height Adj Tall T-Arm Assm w/Short Side Shield and Waterfall Pad Desk, 1" Receiver	1
1-7, 8a, 9-18a, 20b, 21, 22, 23b, 24	116217	Height Adj Tall T-Arm Assm w/Short Side Shield and Waterfall Pad Desk, 1" Receiver, Pair Cat	1
1-7, 8b, 10-18b, 19a, 20a	116196	Height Adj Tall T-Arm Assm w/Long Side Shield and Std Pad Full	1

Item Number	Part Number	Description	Quantity
1-7, 8b, 10-18b, 19a, 20a	116197	Height Adj Tall T-Arm Assm w/Long Side Shield and Std Pad Full, Pair	1
1-7, 8b, 10-18a, 19a, 20a	116164	Height Adjustable Tall T-Arm Assembly w/Short Side Shield and Std Pad Full	1
1-7, 8b, 10-18a, 19a, 20a	116165	Height Adjustable Tall T-Arm Assembly w/Short Side Shield and Std Pad Full, Pair	1
1-7, 8a, 10-18b, 19b, 20a	116194	Height Adj Tall T-Arm Assm w/Long Side Shield and Std Pad Desk	1
1-7, 8a, 10-18b, 19b, 20a	116195	Height Adj Tall T-Arm Assm w/Long Side Shield and Std Pad Desk, Pair	1
1-7, 8a, 10-18a, 19b, 20a	116162	Height Adjustable Tall T-Arm Assembly w/Short Side Shield and Std Pad Desk	1
1-7, 8a, 10-18a, 19b, 20a	116163	Height Adjustable Tall T-Arm Assembly w/Short Side Shield and Std Pad Desk, Pair	1
1-7, 8b, 10-18b, 20b, 23a	116200	Height Adj Tall T-Arm Assm w/Long Side Shield and Waterfall Pad Full	1
1-7, 8b, 10-18b, 20b, 23a	116201	Height Adj Tall T-Arm Assm w/Long Side Shield and Waterfall Pad Full, Pair	1
1-7, 8b, 10-18a, 20b, 23a	116168	Height Adjustable Tall T-Arm Assembly w/Short Side Shield and Waterfall Pad Full	1
1-7, 8b, 10-18a, 20b, 23a	116169	Height Adjustable Tall T-Arm Assembly w/Short Side Shield and Waterfall Pad Full, Pair	1
1-7, 8a, 10-18b, 20b, 23b	116198	Height Adj Tall T-Arm Assm w/Long Side Shield and Waterfall Pad Desk	1
1-7, 8a, 10-18b, 20b, 23b	116199	Height Adj Tall T-Arm Assm w/Long Side Shield and Waterfall Pad Desk, Pair	1
1-7, 8a, 10-18a, 20b, 23b	116166	Height Adjustable Tall T-Arm Assembly w/Short Side Shield and Waterfall Pad Desk	1
1-7, 8a, 10-18a, 20b, 23b	116167	Height Adjustable Tall T-Arm Assembly w/Short Side Shield and Waterfall Pad Desk, Pair	1
1-7, 10-14, 16, 17, 18a	114150	Height Adjustable T-Arm Short Lower Assembly, Tall <i>Does not include t-arm upper, arm pad or arm pad screws</i>	1
1-7, 10-14, 16, 17, 18b	114151	Height Adjustable T-Arm Long Lower Assy, Tall <i>Does not include t-arm upper, arm pad or arm pad screws</i>	1
1-7, 8a, 10-18a	114432	Height Adjustable T-Arm Short Side Shield, Desk, Tall <i>Does not include arm pad or arm pad screws</i>	1
1-7, 8b, 10-18a	114433	Height Adjustable T-Arm Short Side Shield, Full, Tall <i>Does not include arm pad or arm pad screws</i>	1
1-7, 8a, 10-18b	114434	Height Adjustable T-Arm Long Side Shield, Desk, Tall <i>Does not include arm pad or arm pad screws</i>	1
1-7, 8b, 10-18b	114435	Height Adjustable T-Arm Full, Long, Tall <i>Does not include arm pad or arm pad screws</i>	1
4, 10, 11, 13	116375	Height Adjustable Tall T-Arm Release Lever Assembly	1
16, 17, 18a	116376	Height Adj Tall T-Arm Long Side Shield Assembly	1
16, 17, 18b	116377	Height Adjustable Tall T-Arm Short Shield Assembly	1

Item Number	Part Number	Description	Quantity
9, 21, 22, 24	501730	Height Adj T-Arm Receiver Assm 1" CAT	1
1	113137	Height Adjustable T-Arm Post, Tall	1
2	113138	Height Adjustable T-Arm Transfer Tube, Tall	1
3, 5, 6, 10, 12, 14	116378	Height Adjustable Tall T-Arm Upper Latch Assembly	1
7	000090	Height Adjustable T Armrest Shim	2
8a, 15	116379	Height Adjustable Tall T Armrest Upper Desk w/ Tube End Plug	1
8b, 15	116380	Height Adjustable Tall T Armrest Upper Full w/ Tube End Plug	1
9	100667	M6 x 12 BTN SHCS BLKZC w/Patch	2
10	103522	M5 x 0.8 x 12 FHCS CLS 10.9 Nyl Blk Zn DIN7991	4
11	000152	Height Adjustable T Armrest Release Spring Button	1
13	000135	Height Adjustable T Armrest Release Lever Spring	1
15	100803	Tube End Plug 7/8"	2
16	003641	.25" x .75" Dowel Pin	2
17	003457	M5 x 14mm Barrel Nut	2
19a	100500	Arm Pad Full	1
19b	100501	Arm Pad Desk	1
20a	100696	M5 x 30mm PPH Capscrew <i>Used with Standard Arm Pads</i>	2
20b	100654	M5 x 40 DIN7985 PH Pan HD M/S ZC <i>Used with Waterfall Arm Pads</i>	2
21	122221	T-Arm Receiver 1", Cat	1
22	122222	Height Adjustable T Armrest Bracket, CAT/SPARK	1
23a	102452	Waterfall Arm Pad Full	1
23b	102521	Waterfall Arm Pad Desk	1
24	122055	Binding Post, Flat Head, M6, .38"	2