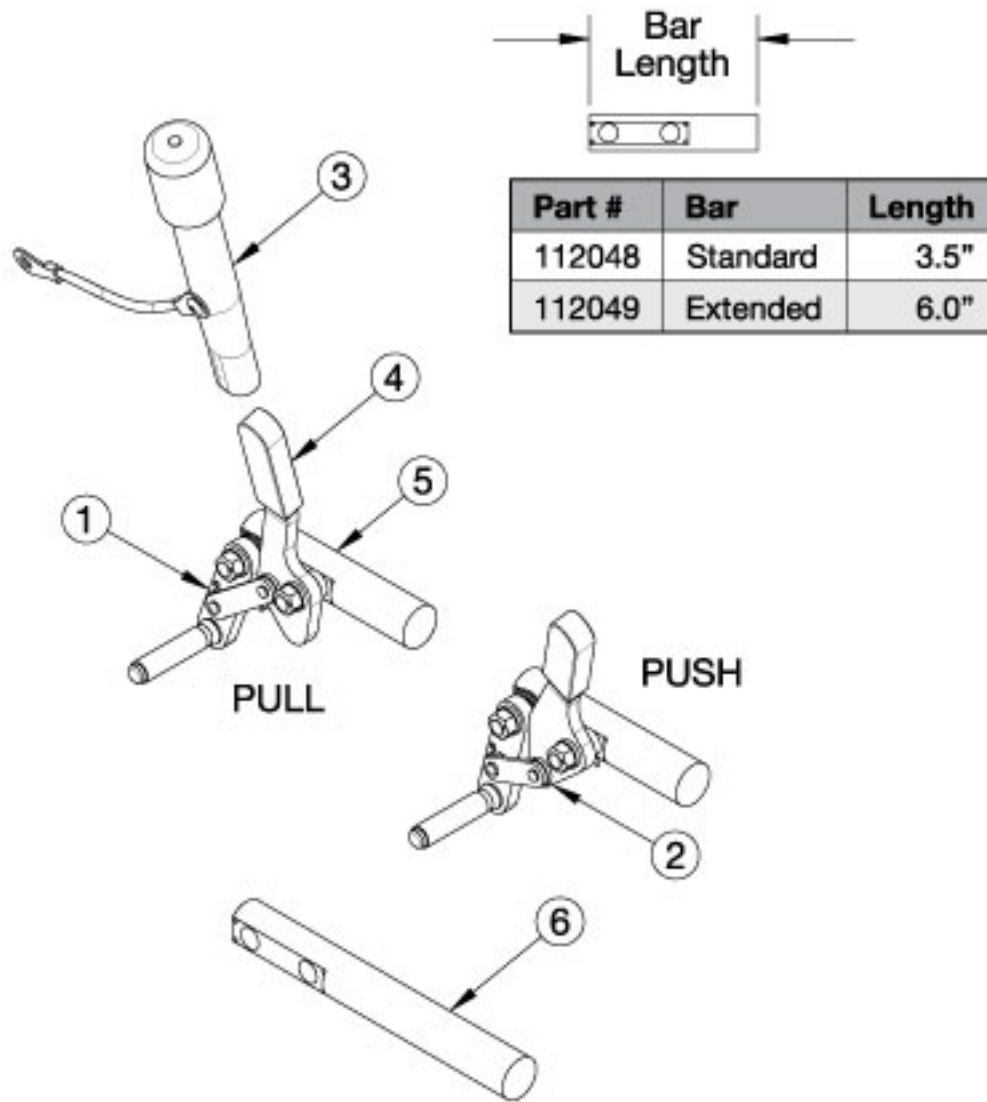


Catalyst E Wheel Locks - Push and Pull to Lock



Implemented August 2022 Notice: Chair configuration review required prior to parts being quoted or ordered Please see the "Catalyst Wheel Lock Orientation" reference to determine if you need standard or reversed wheel locks.

Item Number	Part Number	Description	Quantity
2, 5	112007	Wheel Lock, Push, Right	1
2, 5	112008	Wheel Lock, Push, Left	1
2, 5	115614	Wheel Lock, Push, Right, Reversed	1
2, 5	115615	Wheel Lock, Push, Left, Reversed	1
1, 5	112043	Wheel Lock, Pull, Right	1

Item Number	Part Number	Description	Quantity
1, 5	112044	Wheel Lock, Pull, Left	1
1, 5	115618	Wheel Lock, Pull, Right, Reversed	1
1, 5	115619	Wheel Lock, Pull, Left, Reversed	1
2, 3, 5	112041	Wheel Lock, Push w/ Extension, Right	1
2, 3, 5	112042	Wheel Lock, Push w/ Extension, Left	1
2, 3, 5	115616	Wheel Lock, Push w/ Extension, Right, Reversed	1
2, 3, 5	115617	Wheel Lock, Push w/ Extension, Left, Reversed	1
1, 3, 5	112045	Wheel Lock, Pull w/ Extension, Right	1
1, 3, 5	112046	Wheel Lock, Pull w/ Extension, Left	1
1, 3, 5	115620	Wheel Lock, Pull w/ Extension, Right, Reversed	1
1, 3, 5	115621	Wheel Lock, Pull w/ Extension, Left, Reversed	1
3	200369	Wheel Lock Extension	1
4	111247	Wheel Lock Cover Plastic	1
6	112049	Wheel Lock Mount Bar Extended <i>Used as needed</i>	1

Catalyst Wheel Lock Orientation					
				Rear Wheel Size	
Center Of Gravity	Rear Seat Height	T-Arm	Seat Depth	Less than or equal to 22"	Greater than 22"
Rear	Greater than 17"	Yes	Less than 18"	Reverse	Reverse
Rear	Greater than 17"	Yes	Greater than or equal to 18"	Reverse	Reverse
Rear	Greater than 17"	No	Less than 18"	Reverse	Standard
Rear	Greater than 17"	No	Greater than or equal to 18"	Reverse	Standard
Rear	Less than or equal to 17"	Yes	Less than 18"	Reverse	Reverse
Rear	Less than or equal to 17"	Yes	Greater than or equal to 18"	Reverse	Reverse
Rear	Less than or equal to 17"	No	Less than 18"	Reverse	Standard
Rear	Less than or equal to 17"	No	Greater than or equal to 18"	Reverse	Standard
Center	Greater than 17"	Yes	Less than 18"	Reverse	Standard
Center	Greater than 17"	Yes	Greater than or equal to 18"	Reverse	Reverse
Center	Greater than 17"	No	Less than 18"	Reverse	Standard
Center	Greater than 17"	No	Greater than or equal to 18"	Reverse	Standard
Center	Less than or equal to 17"	Yes	Less than 18"	Reverse	Standard
Center	Less than or equal to 17"	Yes	Greater than or equal to 18"	Reverse	Standard
Center	Less than or equal to 17"	No	Less than 18"	Reverse	Standard
Center	Less than or equal to 17"	No	Greater than or equal to 18"	Reverse	Standard
Forward	Greater than 17"	Yes	Less than 18"	Reverse	Standard
Forward	Greater than 17"	Yes	Greater than or equal to 18"	Reverse	Reverse
Forward	Greater than 17"	No	Less than 18"	Reverse	Standard
Forward	Greater than 17"	No	Greater than or equal to 18"	Reverse	Standard
Forward	Less than or equal to 17"	Yes	Less than 18"	Reverse	Standard
Forward	Less than or equal to 17"	Yes	Greater than or equal to 18"	Reverse	Standard
Forward	Less than or equal to 17"	No	Less than 18"	Reverse	Standard
Forward	Less than or equal to 17"	No	Greater than or equal to 18"	Reverse	Standard

Center of Gravity Position 1 = Forward

Center of Gravity Position 2 and 3 = Center

Center of Gravity Position 4 = Rear

Catalyst 4 models utilize the Center Position

Effective 7/11/2023