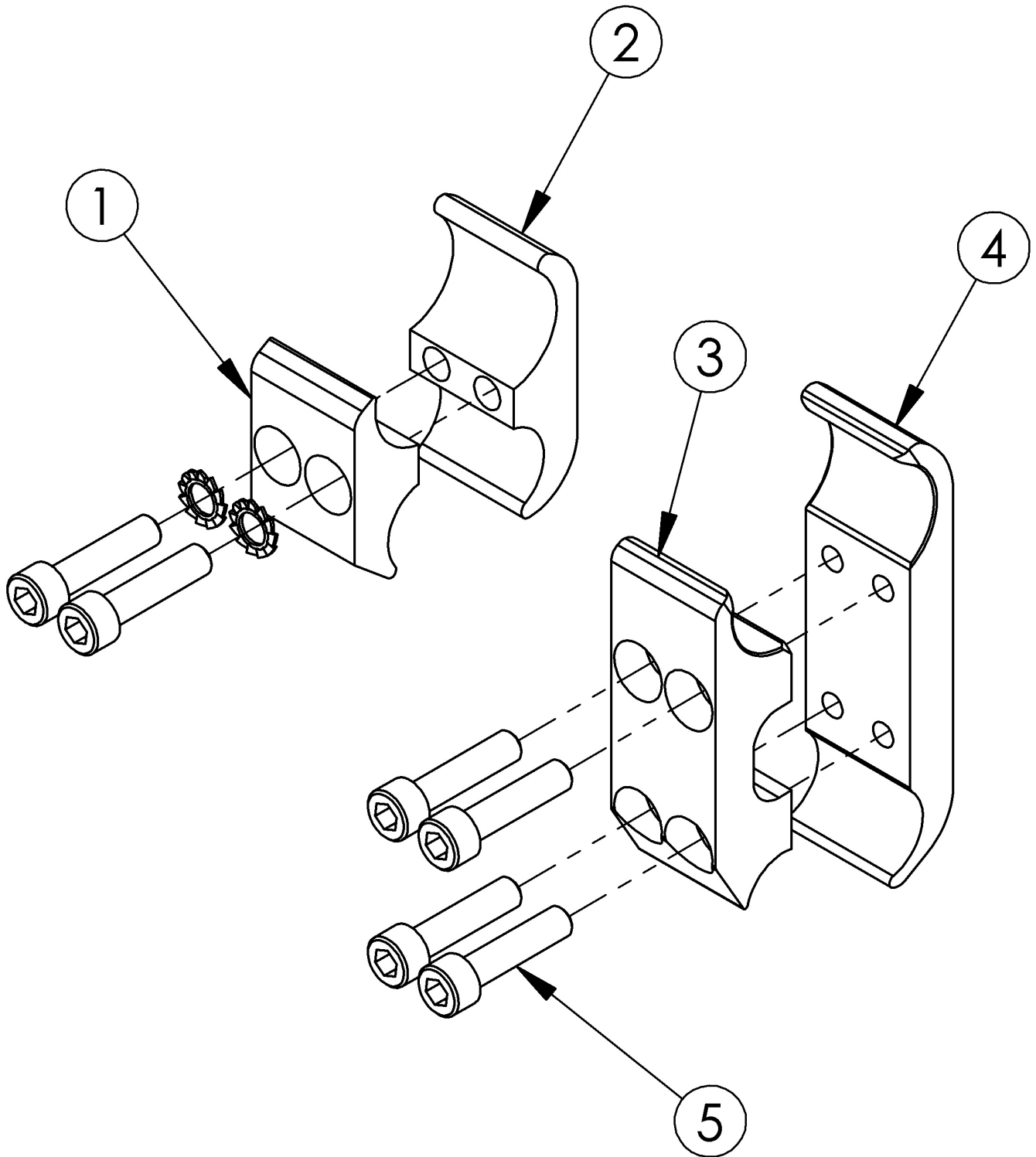


Catalyst Wheel Lock Clamps



Item Number	Part Number	Description	Quantity
3, 4, 5	500758	Wheel Lock Ext. Clamp Assembly CAT	1
1, 2, 5	100641	Wheellock Clamp CAT <i>Used with all armrests except Flip Back or Flip Back Height Adjustable. Used with T-Arms or Height Adjustable Flip Back T-Arms when there is no Amputee Axle Plate. Not used with Grade Aids.</i>	1
3	000143	Wheel Lock Clamp Extended Top CAT <i>Always used with Grade Aids and when Flip Back or Flip Back Height Adjustable armrests are present. Used with T-Arms or Height Adjustable Flip Back T-Arms in combination with Amputee Axle Plate.</i>	1
4	000144	Wheel Lock Clamp Extended Bottom CAT <i>Always used with Grade Aids and when Flip Back or Flip Back Height Adjustable armrests are present. Used with T-Arms or Height Adjustable Flip Back T-Arms in combination with Amputee Axle Plate.</i>	1
5	100780	M6 x 25 SHCS ZC <i>All Wheel Lock Clamps require 2 of 100780 except the Extended Catalyst Wheel Lock Clamp which requires 4 screws</i>	4