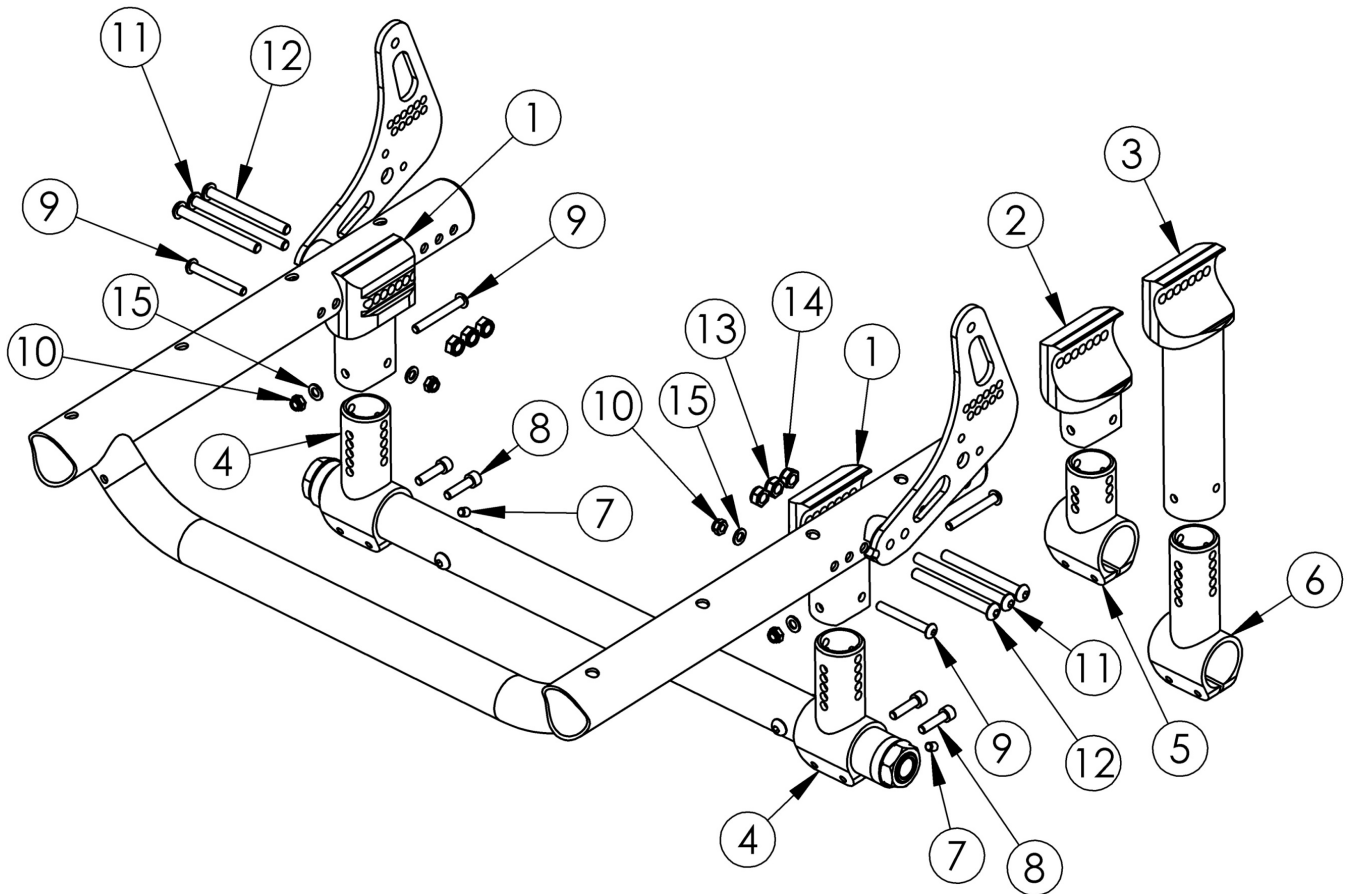


Tsunami Standard Tower Index Mount



Replacement Camber Mount Towers may be quoted, but must be ordered through Customer Service

| Item Number | Part Number | Description | Quantity | Retail |
|-------------|-------------|--|----------|----------|
| 1 | 000406 | Camber Mount Tower Medium AL TSU | 1 | \$106.57 |
| 2 | 000405 | Camber Mount Tower Short AL TSU | 1 | \$106.57 |
| 3 | 000407 | Camber Mount Tower Tall AL TSU | 1 | \$109.36 |
| 4 | 000412 | Camber Mount Tower Clamp Medium AL TSU | 1 | \$89.66 |
| 5 | 000411 | Camber Mount Tower Clamp Short AL TSU | 1 | \$88.81 |
| 6 | 000413 | Camber Mount Tower Clamp Tall AL TSU | 1 | \$92.83 |
| 7 | 105015 | M5 X 6 DIN914 SSS CONE PT PLN | 1 | \$2.63 |
| 8 | 101120 | M5 x 16 SHCS BLZ | 2 | \$1.58 |
| 9 | 101563 | M5 x 42 Low SHCS PT BLKZC | 2 | \$1.58 |

| Item Number | Part Number | Description | Quantity | Retail |
|--------------------|--------------------|--------------------------|-----------------|---------------|
| 10 | 100657 | M5 Nylock Nut Blk Zn | 2 | \$0.53 |
| 11 | 107138 | M6 x 65, BHCS, P/THD BLZ | 1 | \$2.04 |
| 12 | 003232 | M6 x 55 BHCS Blk Zc | 2 | \$8.94 |
| 13 | 101456 | M6 Ovl Top L/N ZC | 1 | \$1.58 |
| 14 | 100658 | M6 Nylock Nut Blk Zn | 2 | \$1.05 |
| 15 | 101856 | Flat Washer, M5, Blk Zn | 4 | \$0.53 |