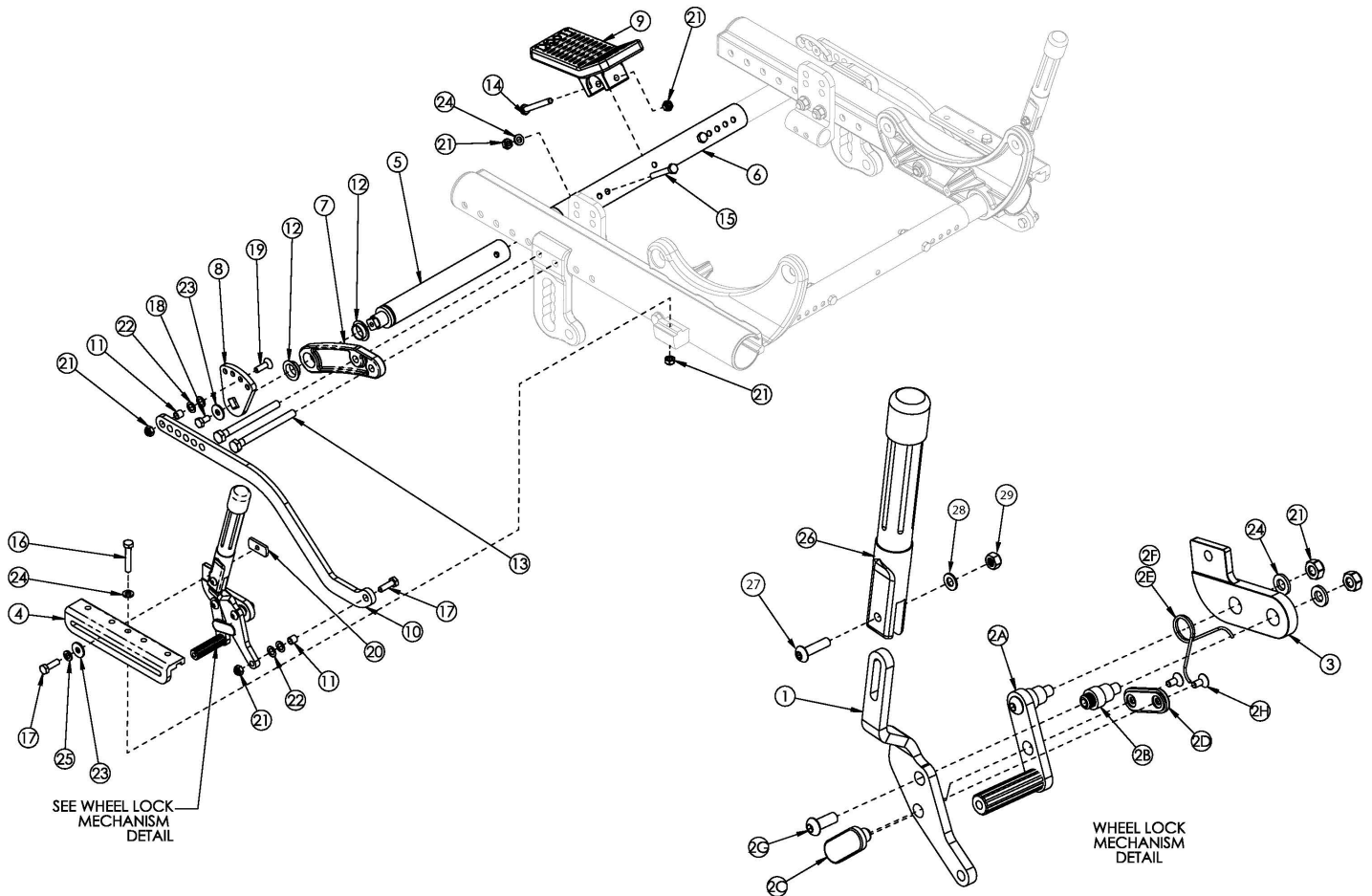


Focus CR Inverted Combination Attendant Foot Lock



Inverted axle plates are not used with wheels 20" or larger.

| Item Number | Part Number | Description | Quantity |
|---------------------------------|-------------|---|----------|
| 1a, 2a-2h, 26-29 | 003393 | Combo Wheel Lock Assembly Push with Extension, Right | 1 |
| 1b, 2a-2h, 26-29 | 003394 | Combo Wheel Lock Assembly Push with Extension, Left | 1 |
| 1a, 1b, 2a - 2h, 26-29 | 503737 | Combo Wheel lock Assembly Push with Extension PAIR <i>Use this kit to retrofit to the Combination Attendant Foot Lock when the Attendant Foot Lock and Inverted Axle Plate are already present. Contains parts needed for push to lock.</i> | 1 |
| 1-5, 7-14, 16-29 | 503739 | Combo Foot Lock Kit for Inverted Axle Plate, 12-16" Wheel <i>Use this kit to retrofit to the Combination Attendant Foot Lock when the Inverted Axle Plate is already present and the Attendant Foot Lock is not present. Contains parts needed for push to lock.</i> | 1 |
| 3, 4, 10, 16, 17, 20, 21, 23-25 | 119823 | Linkage Foot Lock Inverted Axle Plate Kit <i>Used to retrofit from an Existing Standard Attendant Foot lock. Contains hardware for both sides.</i> | 1 |

| Item Number | Part Number | Description | Quantity |
|----------------|-------------|--|----------|
| 6a, 15, 21, 24 | 501123 | Base/Axle/Foot Lock Strut Assembly Small Focus | 1 |
| 6b, 15, 21, 24 | 501124 | Base/Axle/Foot Lock Strut Assembly Medium Focus | 1 |
| 6c, 15, 21, 24 | 501125 | Base/Axle/Foot Lock Strut Assembly Large Focus | 1 |
| 6d, 15, 21, 24 | 114284 | Base/Axle/Foot Lock Strut Assembly X-Large Focus | 1 |
| 3 | 003774 | Wheel Lock Mount Inverted Axle Plate Push/Attendant <i>Replaced 001396</i> | 2 |
| 4 | 001398 | Wheel Lock Mount Bar Inverted Axle Plate | 2 |
| 5 | 001145 | Strut Foot Lock Tilt | 2 |
| 6a | 001011 | Growth Strut, Base, Small Tilt | 1 |
| 6b | 001012 | Growth Strut, Base, Medium Tilt | 1 |
| 6c | 001013 | Growth Strut, Base, Large Tilt | 1 |
| 6d | 112005 | Growth Strut, Base, X-Large Tilt | 1 |
| 7 | 001427 | Tube Mount Foot Lock Tilt | 2 |
| 8 | 001150 | Index Plate Foot Lock Tilt | 2 |
| 9 | 001397 | Pedal Foot Lock 2-Way Tilt | 1 |
| 10 | 001406 | Linkage Foot Lock Inverted Axle Plate | 2 |
| 11 | 001156 | Pivot Bushing Tilt | 4 |
| 12 | 001157 | IGUS Bushing GFM-1618-06 | 4 |
| 13a | 102384 | M8 x 100 HHCS Blk Zc Part THD <i>Use quantity 1 of 102384 and quantity 1 of 101832 per side when Foot Tilt is present</i> | 2 |
| 13b | 101832 | M8 x 90 HHCS Blk Zn <i>Use quantity 2 per side when Hand Tilt is present</i> | 4 |
| 14 | 101826 | M6 x 50 HHCS Blk Zn | 1 |
| 15 | 101825 | M6 x 40 HHCS Blk Zn | 2 |
| 16 | 102386 | M6 x 35mm HHCS Blk Zc | 2 |
| 17 | 101823 | M6 X 20 Hhcs Blk Zn | 4 |
| 18 | 101822 | M6 x 12 HHCS BLKZC w/Patch | 2 |
| 19 | 100866 | M6 x 20 CLS12.9 DIN7991 FSHCS Blk Zc w/Patch | 2 |

| Item Number | Part Number | Description | Quantity |
|-------------|-------------|--|----------|
| 20 | 001141 | Weld Nut NDM 06028 Zinc | 2 |
| 21 | 100658 | M6 Nylock Nut Blk Zn | 13 |
| 22 | 101861 | Nylon Washer 5/16 x 1/2 x .03 | 4 |
| 23 | 101853 | M6 Washer Blk Zn | 2 |
| 24 | 100746 | M6 Flat Washer Blk Zn | 8 |
| 25 | 101835 | M6 Lock Washer Blk Zn | 2 |
| 26-29 | 100854 | Brake Extension Replacement | 1 |
| 27 | 101117 | M5 x 22 BTN SHCS BLK ZC | 1 |
| 28 | 101856 | Flat Washer, M5, Blk Zn | 1 |
| 29 | 100657 | M5 Nylock Nut Blk Zn | 1 |
| 7, 12 | 501435 | Foot Lock Tube Mount with Bearings Focus | 1 |

Inverted axle plates are not used with wheels 20" or larger.

| Wheel | Tire | Caster | Standard Axle Plate Seat Heights | Inverted Axle Plate Seat Heights |
|-----------------------|-----------|---------|----------------------------------|----------------------------------|
| 12" Mag | Pneumatic | 5" | 13.5" - 14.5" | 17.5" - 19.5" |
| 12" Mag | Pneumatic | 6" | 14.5" | 17.5" - 19.5" |
| 12" Mag | Pneumatic | 6x2" | 14.5" | 17.5" - 19.5" |
| 12" Mag | Pneumatic | 7" | n/a | 17.5" - 19.5" |
| 12" Mag | Pneumatic | 8" | n/a | 17" - 19.5" |
| 12" Mag | Pneumatic | 8"x1.5" | n/a | 17.5" - 19.5" |
| 12" Mag | Pneumatic | 8x2" | n/a | 17.5" - 19.5" |
| 12" Mag | Full Poly | 5" | n/a | 16.5" - 19" |
| 12" Mag | Full Poly | 6" | n/a | 16.5" - 19" |
| 12" Mag | Full Poly | 6x2" | n/a | 16.5" - 19" |
| 12" Mag | Full Poly | 7" | n/a | 16.5" - 19" |
| 12" Mag | Full Poly | 8" | n/a | 16." - 18.5" |
| 12" Mag | Full Poly | 8"x1.5" | n/a | 16.5" - 19" |
| 12" Mag | Full Poly | 8x2" | n/a | 17" - 18.5" |
| 12" Mag w/ Drum Brake | Pneumatic | 5" | 13" - 14.5" | 17.5" - 20" |
| 12" Mag w/ Drum Brake | Pneumatic | 6" | 14" - 14.5" | 17.5" - 19.5" |
| 12" Mag w/ Drum Brake | Pneumatic | 6x2" | 14" - 14.5" | 17.5" - 20" |
| 12" Mag w/ Drum Brake | Pneumatic | 7" | n/a | 17.5" - 20" |
| 12" Mag w/ Drum Brake | Pneumatic | 8" | n/a | 17.5" - 20" |
| 12" Mag w/ Drum Brake | Pneumatic | 8"x1.5" | n/a | 17.5" - 19.5" |
| 12" Mag w/ Drum Brake | Pneumatic | 8x2" | n/a | 17.5" - 19.5" |
| 12" Mag w/ Drum Brake | Full Poly | 5" | 13" - 14.5" | 17.5" - 19.5" |
| 12" Mag w/ Drum Brake | Full Poly | 6" | 14" - 14.5" | 17.5" - 19.5" |
| 12" Mag w/ Drum Brake | Full Poly | 6x2" | 14" - 14.5" | 17.5" - 19.5" |
| 12" Mag w/ Drum Brake | Full Poly | 7" | n/a | 17.5" - 19.5" |
| 12" Mag w/ Drum Brake | Full Poly | 8" | n/a | 17.5" - 19.5" |
| 12" Mag w/ Drum Brake | Full Poly | 8"x1.5" | n/a | 17.5" - 19.5" |
| 12" Mag w/ Drum Brake | Full Poly | 8x2" | n/a | 17.5" - 19.5" |

Inverted axle plates are not used with wheels 20" or larger.

| Wheel | Tire | Caster | Standard Axle Plate Seat Heights | Inverted Axle Plate Seat Heights |
|-----------------------|-----------|---------|----------------------------------|----------------------------------|
| 16" Mag | Pneumatic | 5" | 13" - 16" | 19" - 20.5" |
| 16" Mag | Pneumatic | 6" | 14" - 16" | 19" - 20.5" |
| 16" Mag | Pneumatic | 6x2" | 14" - 16" | 19" - 20.5" |
| 16" Mag | Pneumatic | 7" | 15" - 16" | 19" - 20.5" |
| 16" Mag | Pneumatic | 8" | 16" | 19" - 20.5" |
| 16" Mag | Pneumatic | 8"x1.5" | 15.5" - 16" | 19" - 20.5" |
| 16" Mag | Pneumatic | 8x2" | 16" | 19" - 20.5" |
| 16" Mag | Full Poly | 5" | 13" - 16.5" | 19" - 20.5" |
| 16" Mag | Full Poly | 6" | 14" - 16.5" | 19" - 20.5" |
| 16" Mag | Full Poly | 6x2" | 14" - 16.5" | 19" - 20.5" |
| 16" Mag | Full Poly | 7" | 15" - 16.5" | 19.5" - 20.5" |
| 16" Mag | Full Poly | 8" | 16" | 19" - 20.5" |
| 16" Mag | Full Poly | 8"x1.5" | 15.5" - 16.5" | 19" - 20.5" |
| 16" Mag | Full Poly | 8x2" | 16" - 16.5" | 19" - 20.5" |
| 16" Mag | Low Poly | 5" | 13" - 15" | 18" - 20" |
| 16" Mag | Low Poly | 6" | 14" - 15" | 18" - 20" |
| 16" Mag | Low Poly | 6x2" | 14" - 15" | 18" - 20.5" |
| 16" Mag | Low Poly | 7" | n/a | 18" - 20.5" |
| 16" Mag | Low Poly | 8" | n/a | 18" - 20.5" |
| 16" Mag | Low Poly | 8"x1.5" | n/a | 18" - 20" |
| 16" Mag | Low Poly | 8x2" | n/a | 18" - 20" |
| 16" Mag w/ Drum Brake | All | 5" | 13.5" - 16" | 19" - 20.5" |
| 16" Mag w/ Drum Brake | All | 6" | 14" - 16" | 18.5" - 20.5" |
| 16" Mag w/ Drum Brake | All | 6x2" | 14" - 16" | 18.5" - 20.5" |
| 16" Mag w/ Drum Brake | All | 7" | 15" - 15.5" | 18.5" - 20.5" |
| 16" Mag w/ Drum Brake | All | 8" | n/a | 18.5" - 20.5" |
| 16" Mag w/ Drum Brake | All | 8"x1.5" | 15.5" - 16" | 18.5" - 20.5" |
| 16" Mag w/ Drum Brake | All | 8x2" | 16" | 18.5" - 20.5" |