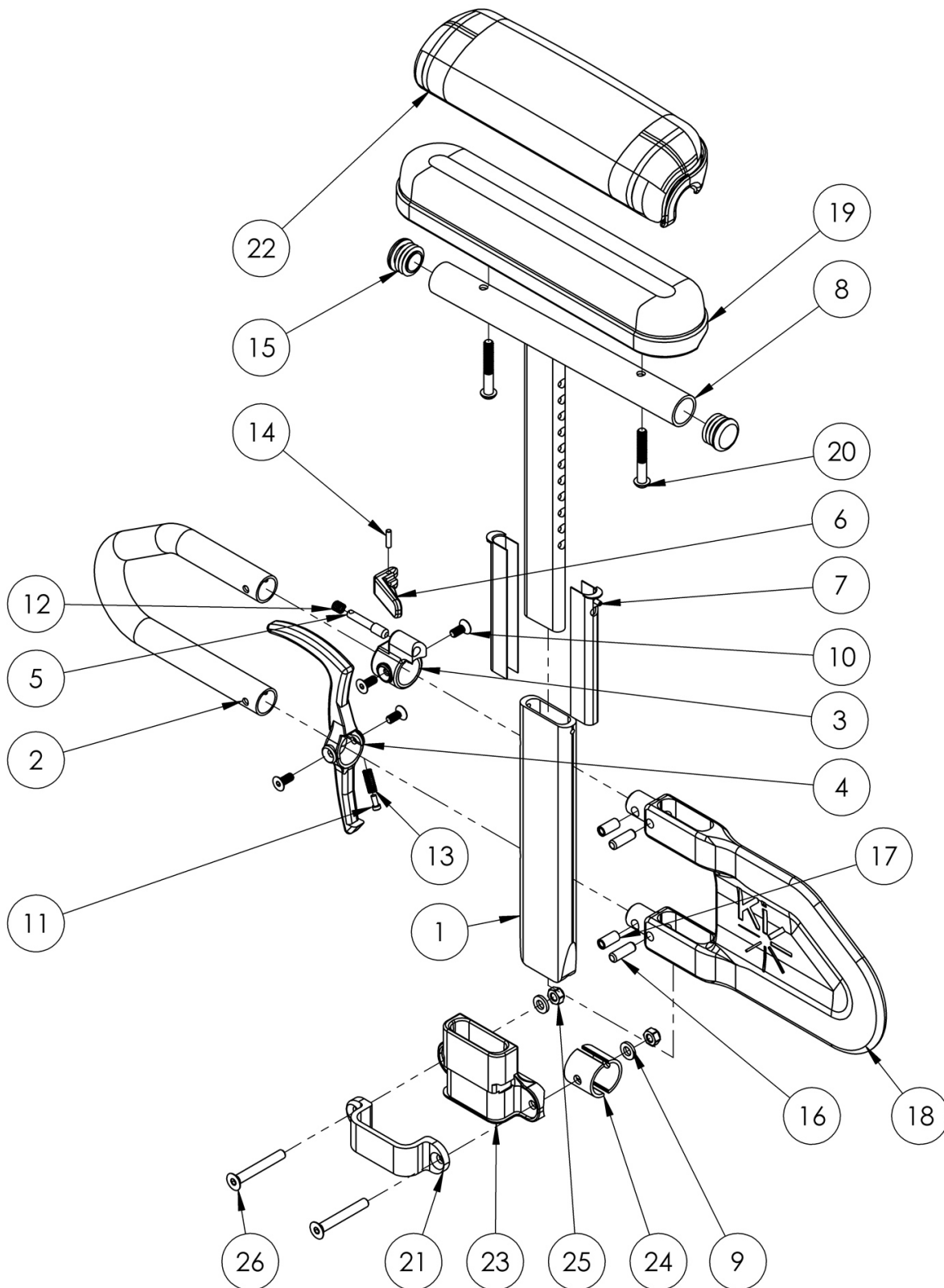


Flip Height Adjustable T-Arm



If retrofitting, Receivers are needed. This design effective December 6, 2017

Item Number	Part Number	Description	Quantity
1-7, 8a, 9-18, 19b, 20a, 21, 23-26	506075	Height Adj T-Arm Assm w/ Short Side Shield and Standard Pad Desk and Receiver PAIR, FLIP	1
1-7, 8b, 9-18, 19a, 20a, 21, 23-26	506076	Height Adj T-Arm Assm w/ Short Side Shield and Standard Pad Full and Receiver PAIR, FLIP	1
1-7, 8a, 9-18, 20b, 22b, 21, 23-26	506079	Height Adj T-Arm Assm w/ Short Side Shield and Waterfall Pad Desk and Receiver PAIR, FLIP	1
1-7, 8b, 9-18, 20b, 22a, 21, 23-26	506080	Height Adj T-Arm Assm w/ Short Side Shield and Waterfall Pad Full and Receiver PAIR, FLIP	1
1-7, 8a, 9-18, 19b, 20a, 21, 23-26	506073	Height Adj T-Arm Assm w/ Short Side Shield and Standard Pad Desk and Receiver, FLIP	1
1-7, 8b, 9-18, 19a, 20a, 21, 23-26	506074	Height Adj T-Arm Assm w/ Short Side Shield and Standard Pad Full and Receiver, FLIP	1
1-7, 8a, 9-18, 20b, 22b, 21, 23-26	506077	Height Adj T-Arm Assm w/ Short Side Shield and Waterfall Pad Desk and Receiver, FLIP	1
1-7, 8b, 9-18, 20b, 22a, 21, 23-26	506078	Height Adj T-Arm Assm w/ Short Side Shield and Waterfall Pad Full and Receiver, FLIP	1
1-7, 8a, 10-18, 19b, 20a	505647	Height Adjustable T-Arm Assembly w/ Short Side Shield and Standard Pad Desk, Pair	1
1-7, 8b, 10-18, 19a, 20a	505645	Height Adjustable T-Arm Assembly w/ Short Side Shield and Standard Pad Full, Pair	1
1-7, 8a, 10-18, 20b, 22b	505651	Height Adjustable T-Arm Assembly w/ Short Side Shield and Waterfall Pad Desk, Pair	1
1-7, 8b, 10-18, 20b, 22a	505649	Height Adjustable T-Arm Assembly w/ Short Side Shield and Waterfall Pad Full, Pair	1
1-7, 8a, 10-18, 19b, 20a	505646	Height Adjustable T-Arm Assembly w/ Short Side Shield and Standard Pad Desk	1
1-7, 8b, 10-18, 19a, 20a	505644	Height Adjustable T-Arm Assembly w/ Short Side Shield and Standard Pad Full	1
1-7, 8a, 10-18, 20b, 22b	505650	Height Adjustable T-Arm Assembly w/ Short Side Shield and Waterfall Pad Desk	1
1-7, 8b, 10-18, 20b, 22a	505648	Height Adjustable T-Arm Assembly w/ Short Side Shield and Waterfall Pad Full	1
3, 5, 6, 10, 12, 14	505490	Height Adjustable T-Arm Upper Latch Assembly	1
4, 10, 11, 13	505507	Height Adjustable T-Arm Release Lever Assembly	1
16-18	506082	Height Adjustable T-Arm Short Shield Assembly	1
9, 21, 23-26	503166	Armrest T-Arm Receiver Assembly Flip	1
1-7, 10-14, 16-18	004160	Height Adjustable T-Arm Lower Assembly Short <i>Does not include t-arm upper, arm pad or arm pad screws</i>	1
1-7, 8a, 10-18	003463	Height Adjustable T-Arm Short Desk	1

Item Number	Part Number	Description	Quantity
		<i>Does not include arm pad or arm pad screws</i>	
1-7, 8b, 10-18	003464	Height Adjustable T-Arm Short Full <i>Does not include arm pad or arm pad screws</i>	1
1	000089	Height Adjustable T Armrest Post	1
2	000095	Height Adjustable T Armrest Transfer Tube	1
7	000090	Height Adjustable T Armrest Shim	2
8a, 15	112906	Height Adjustable T Armrest Upper Desk w/ Tube End Plug	1
8b, 15	112907	Height Adjustable T Armrest Upper Full w/ Tube End Plug	1
9	100746	M6 Flat Washer Blk Zn	2
10	003458	M5 X 12mm FHCS BLK ZN W/ Patch	4
11	000152	Height Adjustable T Armrest Release Spring Button	1
13	000135	Height Adjustable T Armrest Release Lever Spring	1
15	100803	Tube End Plug 7/8"	2
16	003641	.25" x .75" Dowel Pin	2
17	003457	M5 x 14mm Barrel Nut	2
19a	100500	Arm Pad Full	1
19b	100501	Arm Pad Desk	1
20a	100696	M5 x 30mm PPH Capscrew <i>Used with Standard Arm Pads</i>	2
20b	100654	M5 x 40 DIN7985 PH Pan HD M/S ZC <i>Used with Waterfall Arm Pads</i>	2
21	000088	Height Adjustable T Armrest Bracket	1
22a	102452	Waterfall Arm Pad Full	1
22b	102521	Waterfall Arm Pad Desk	1
23	002036	Receiver, T-Arm, High	1
24	114443	Tube Spacer, Black, 1" OD x .083" x .80 LG	2
25	100658	M6 Nylock Nut Blk Zn	2
26	101592	M6 x 45 CLS10.9 DIN7991 FHCS BLKZC	2