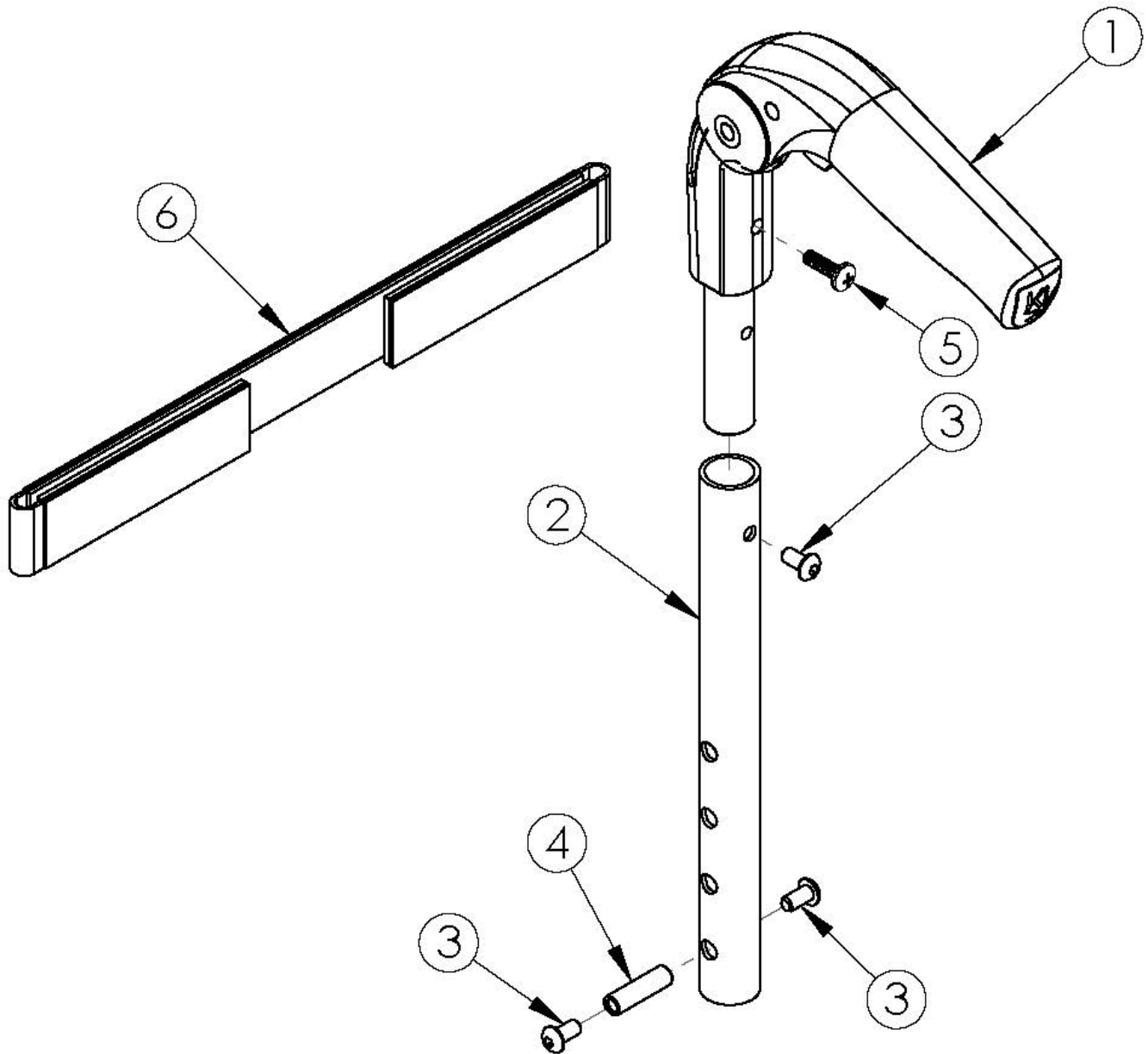


# Rigid Fold Down Push Handle



Tension Straps are used with the combination of Fold Down Push Handle Tension Adjustable or Padded Velcro Adjustable Back Upholstery. Straps are based on chair width. Not available with Heavy Duty Option

| Item Number    | Part Number | Description   | Quantity |
|----------------|-------------|---|----------|
| 1, 2a, 3, 4, 5 | 110667      | Fold Down Push Handle Assembly, 6.38", RG ALX/LW XP<br><i>Used with fixed height backrest with any back height or with height adjustable backrest with short back height range. Includes both 5a and 5b.</i>            | 1        |
| 1, 2b, 3, 4, 5 | 110668      | Fold Down Push Handle Assembly, 6.55", RG ALX/LW XP<br><i>Used with height adjustable backrest with medium back height range. Included both 5a and 5b.</i>  | 1        |
| 1, 2c, 3, 4, 5 | 110669      | Fold Down Push Handle Assembly, 10.55", RG ALX/LW XP<br><i>Used with height adjustable backrest with tall back height range. Includes both 5a and 5b.</i>   | 1        |
| 1              | 001735      | Folding Handle Assembly Rigid<br><i>This is to replace an existing Fold Down Push Handle. If wanting to change to the Fold Down Push Handle, order one of the following complete assemblies: 110667, 110668, 110669</i> | 1        |
| 2a             | 001754      | Fold Down Push Handle Tube, 6.38", Rigid<br><i>Used with fixed height backrest with any back height or with height adjustable backrest with short back height range</i>   | 1        |
| 2b             | 109097      | Fold Down Push Handle Tube, 6.55", Rigid<br><i>Used with height adjustable backrest with medium back height range</i>   | 1        |
| 2c             | 109098      | Fold Down Push Handle Tube, 10.55", Rigid<br><i>Used with height adjustable backrest with tall back height range</i>  | 1        |
| 3              | 100669      | M5 x 10 BTN SHCS BLKZC w/Patch  | 3        |
| 4              | 000073      | M5 x 24 Threaded Barrel   | 1        |
| 5a             | 100734      | M5 x 16 PHMS ZC<br><i>Used to attach Fold Down Push Handle</i>  | 1        |
| 5b             | 101843      | M5 x 20 SHCS Blk Zn<br><i>Used to attach upholstery</i>   | 1        |
| 6a             | 001748      | Tension Strap Folding Handle 9-11 Wide  | 1        |
| 6b             | 001749      | Tension Strap Folding Handle 12-13 Wide   | 1        |
| 6c             | 001750      | Tension Strap Folding Handle 14-15 Wide   | 1        |
| 6d             | 001751      | Tension Strap Folding Handle 16-17 Wide   | 1        |
| 6e             | 001752      | Tension Strap Folding Handle 18-19 Wide   | 1        |
| 6f             | 001753      | Tension Strap Folding Handle 20-22 Wide   | 1        |