

TiLite Aero Z (CMD) Order Form

Effective October 2024 (New items in Red)

RIGID FRAME

Page 1 of 8

| DEALER INFORMATION | | RTS INFORMATION | |
|---------------------|--------------|---------------------|-------------|
| Dealer: | Account #: | RTS: | Phone: |
| PO: | Ordered By: | Email: | |
| Email: | | SHIP TO INFORMATION | |
| Mark For: | User Weight: | Name: | Ship Via: |
| TiLite Sales Rep: | | Address: | |
| TiLite Information: | Promo Code: | City: | State: Zip: |
| Ship Date: | Order #: | Phone: | Fax: |

More options and frame modifications may be available through our Creative Mobility Division! Please contact customer service for details or [click here](#) to view options.

Please Email or Fax to the Permobil Manual Customer Experience Team at tilitesales@permobil.com or 509.586.2413



FRAME STYLE

- AZFS1 **Aero Z Aluminum Frame** (Full Adjustability. 265 Pound Weight Limit. 150 Pound Weight Limit for Rear Seat Width A and Seat Depth B of 10"x10" to 12"x12". For Rear Seat Width A and Seat Depth B of 15" or greater, use K0005. For Rear Seat Width A and Seat Depth B of less than 15", use E1235.).....\$4,310 K0005, E1235

SMARTDRIVE POWER ASSIST SYSTEM



- AEZMAXSD1 **Permobil Smart Drive MX2+*** (N/A with rear seat heights less than 13.5", or 20" rear wheels).....\$7,529 E0986
- AEZMAXSD16 **NEW** SpeedControl Dial AEZMAXSD17 Extended Mount **OR** AEZMAXSD18 SwitchControl Buttons.....**NCO**
- AEZMAXSD8 SwitchControl Button with Mono Jack Option.....\$159
- AEZMAXSD19 **NEW** Buddy Button.....\$262
- AEZMAXSD4 Carrying Bag.....\$84
- AEZMAXSD10 Universal Padded Handle.....\$22

*SmartDrive apps available on Apple App Store and Google Play Store for [Apple Watch Series 5 or newer](#) and [Samsung Galaxy Watch 4 or newer](#).




FRAME STYLE

- ZPWR1 **Power Adaptable Frame** (Not required for SmartDrive. No charge when 20" Rear Seat Width A and 20" Seat Depth B are selected. Requires LiteSpeed Billet Aluminum Front Wheels and 0 degree camber. Not available with Single-sided Forks.).....**NCO**
- ZRFR1 **Reinforced Frame** (No charge when 20" Rear Seat Width and 20" Seat Depth.).....**NCO**

TRANSIT OPTION

- ZTTDO3 **Transit Tie-Down** (Tested to WC-19. Consists of four Tie-Down Brackets, two Pelvic Belt Mounting Brackets and Reinforced Frame. Please refer to the Aero Z Transit Tie-Down Option Brochure for important information regarding the Transit Tie-Down Option.).....\$363

FRAME FINISHES

- ZFF3 **Tattooed Aluminum** (Tattoos on front frame tubes. Aluminum frame is tattooed on blasted aluminum with a clear coat. Tattoos will be trimmed and adjusted to fit your frame.).....\$363
- ZFF45 **Need for Speed**  ZFF44 **Flower Garden** 
- ZFF43 **Mosaic** 

- | | | | |
|-----------------------------|--|---|---|
| High Gloss Paint | <input type="checkbox"/> ZFF8 High Gloss Black | <input type="checkbox"/> ZFF10 TiLite Red | <input type="checkbox"/> ZFF29 Neon Pink |
| Metallic Paint | <input type="checkbox"/> ZFF14 Ocean Blue Metallic | <input type="checkbox"/> ZFF15 Tangerine Metallic | <input type="checkbox"/> ZFF30 Acid Green Metallic |
| Pearlescent Paint | <input type="checkbox"/> ZFF17 Midnight Blue Pearl | <input type="checkbox"/> ZFF18 White Pearl | |
| Matte Paint | <input type="checkbox"/> ZFF19 Black Lava | <input type="checkbox"/> ZFF27 Titanium Grey | |
| Candy Paint | <input type="checkbox"/> ZFF22 Ruby Red | <input type="checkbox"/> ZFF23 Azure Blue | <input type="checkbox"/> ZFF25 Electric Plum |
| Matte Textured Paint | <input type="checkbox"/> ZFF40 Hyper Blue | <input type="checkbox"/> ZFF41 Flame Orange | <input type="checkbox"/> ZFF42 OD Green..... STD |

COLOR ANODIZE PACKAGE

(Color Anodize Package includes: Caster Mount, Caster Fork, and Caster Caps. If no anodize color is selected, the default will be black.)

- ZANO1 Black.....**STD**
- ZAN12 Gold ZAN15 Green ZAN13 Purple ZAN14 Orange ZAN10 Blue ZAN11 Red.....\$71



Permobil.com
2701 West Court Street / Pasco, Washington 99301
Tel 800 736 0925 or Email tilitesales@permobil.com

TiLite Aero Z (CMD) Order Form

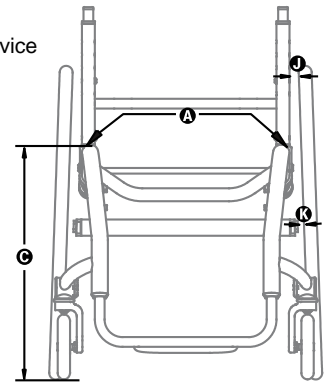
TiFit: TAILORED INDIVIDUALIZED FRAME

Measurements shown below are our most popular selections. **Not seeing what you want?** Contact customer service or visit our Creative Mobility Division (CMD) catalog [here](#) to view additional options.

REAR SEAT WIDTH A Measure from outside of seat tube at back post to the outside of the opposite seat tube at back post.

- ZSW1 10" 11" 12" 13" 14" 15" 16" 17" 18" 19".....**STD**
- ZSW2 20" (HCPCS code only applies to 20" Rear Seat Width; > 20" size through CMD).....**\$536**

E2201



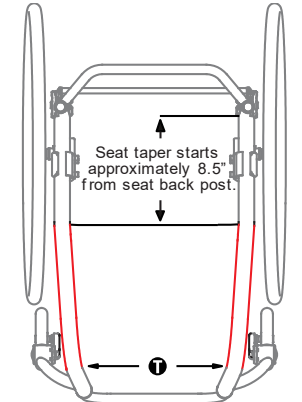
FRONT SEAT WIDTH (SEAT TAPER) T Measure from inside of front frame tube to inside of opposite front frame tube. (Required with V-Front End v. Not Available with Standard Front End I.)

- ZFSW1 No Taper (2.5" Narrower than Rear Seat Width A.).....**STD**
- ZFSW3 1.5" Taper (4" Narrower than Rear Seat Width A. Includes Tension Adjustable by Straps Seat Upholstery. Not available with 10" and 11" Seat Widths A.).....**\$304**

SEAT DEPTH B Measure from front of back post to the front edge of seat sling. Frame bend will start .5" in front of seat sling unless Custom Frame Depth is specified, or the combination of specifications affect the rolling dynamics of the chair.

- ZSD1 10" 11" 12" 13" 14" 15" 16" 17" 18" 19".....**STD**
- ZSD2 20" (> 20" size available through CMD).....**\$568**
- ZSD3 Custom Frame Depth: _____" Frame Depth Longer or Shorter Than Seat Depth (Measure from front of seat sling to beginning of frame bend. Ranges from 0.5" to 2" and can be given as specific as 1/4" increments. A Custom Frame Depth outside specified range may be available through our Creative Mobility Division. A Custom Frame Depth of 20" will have an additional charge).....**NCO**

E2203



ERGONOMIC SEAT U Measure from front of back post to beginning of upward bend of seat tube.

- ZERG2 Aero Z Ergonomic Seat (Center of Gravity adjustment may be affected by this option. Not available with V-Front or Seat Taper, Seat Back that Locks When Folded, Desk Arms, Depth Adjustable Backrests, Fold Down Rigid Sideguards, Fendered Adjustable Sideguards, Solid Seat (CMD only), Tension Adjustable Bolt-On Seat Upholstery)
 - 6" (Minimum Seat Depth B 12") 7" (Minimum Seat Depth B 12")
 - 8" (Minimum Seat Depth B 13")**\$433**

FRONT SEAT HEIGHT C Measure from floor to top of seat tube at front edge of seat sling.

- ZFSH1 16" 16.5" 17" 17.5" 18" 18.5" 19" 19.5" 20" 20.5" 21"**STD**

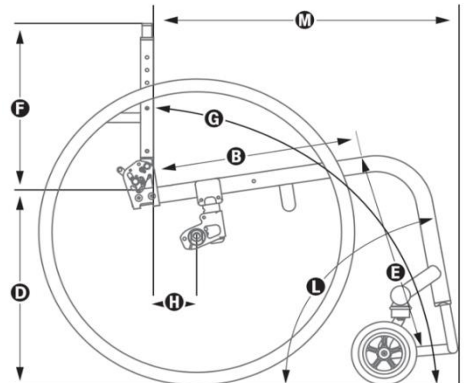
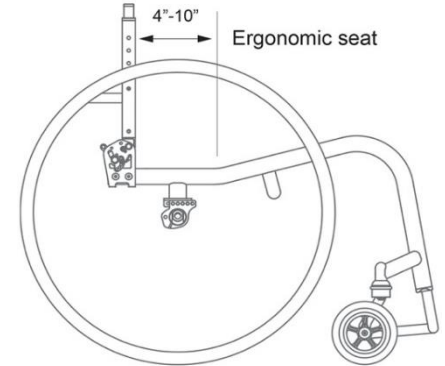
REAR SEAT HEIGHT D Measure from floor to top of seat tube at back post.

| Rear Wheel Size | Rear Seat Height |
|-----------------|------------------|
| 20" | 12.5"-18.5" |
| 22" | 14.0"-19" |
| 24" | 14.5"-20" |
| 25" | 14.5"-20" |
| 26" | 15.5"-20" |

- ZRSH1 12.5" 13" 13.5" 14" 14.5" 15" 15.5" 16" 16.5" 17" 17.5" 18" 18.5" 19" 19.5" 20".....**STD**

FRONT ANGLE or OVERALL FRAME LENGTH Select one. If Overall Frame Length is selected, front angle will be bent to achieve requested length.

- TFA1 70° 75° 80° 85° L Measure from frame front to floor. (Not available with 6" Front Wheels.) 90° (Not available with 5" or 6" Front Wheels.).....**STD**
- TFA2 Overall Frame Length M _____" Measure from front of backrest to Front Edge of Footrest.**NCO**



TiFit: TAILORED INDIVIDUALIZED FRAME

Measurements shown below are our most popular selections. **Not seeing what you want?** Contact customer service or visit our Creative Mobility Division (CMD) catalog [here](#) to view additional options.

SEAT TO FOOTREST E Measure from front edge of seat sling to top rear of footrest.

- Standard Footrests** Measurement must be at least 2" shorter than Front Seat Height C.
 - 13.5" 14" 14.5" 15" 15.5" 16" 16.5" 17" 17.5" 18" 18.5" 19"

TiLite Aero Z (CMD) Order Form

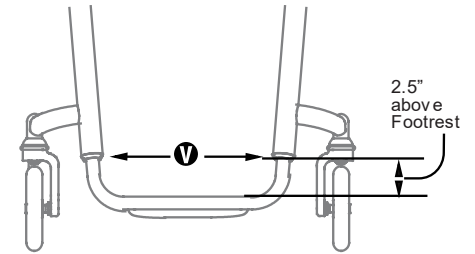
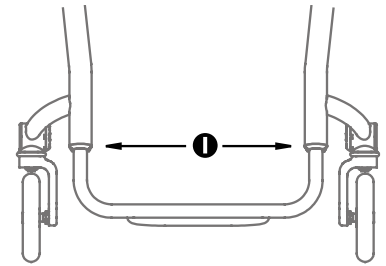
- ZFTR3 Angle Adjustable Footrest.....**STD**
- ZFTR1 Titanium Footrest w/Flat ABS Cover.....**\$217**
- ZFTR2 Titanium Open Loop Footrest.....**\$277**
- ZFTR12 Angle Adjustable Flip-Back Footrest (Not available with 10" or 11" Rear Seat Width A, Heavy Duty Frame or ABS Cover with 2" Sides).....**\$244 K0040**
- High Mount Footrest**
- 7"-9" 9"-11" 11"-13" Set at _____ (Use 1/2" increments)
- ZFTR4 Angle Adjustable High Mount Footrest.....**\$109 K0040**

FOOTREST WIDTH I or **V** Select either a Standard Front End I if no Seat Taper T is selected or a V-Front End V if a Seat Taper T is selected

STANDARD FRONT END I Find your Rear Seat Width A in the Chart below and select one of the options to the right. Measure from inside of front frame tube to inside of opposite front frame tube. (Not available with Front Seat Width (Seat Taper) T.)

- ZFE1 **NO V-Front Taper** (Required when both Heavy Duty Frame and Seat Taper T are selected.).....**STD**

| REAR SEAT WIDTH A (Outside Measurement) | FOOTREST WIDTH I | | |
|--|---|---|---|
| | No Taper (2.5" Narrower than Rear Seat Width) | 1.5" Taper (4" Narrower than Rear Seat Width) | 3.5" Taper (6" Narrower than Rear Seat Width) |
| 10" | <input type="checkbox"/> 7.5" | | |
| 11" | <input type="checkbox"/> 8.5" | | |
| 12" | <input type="checkbox"/> 9.5" | <input type="checkbox"/> 8" | |
| 13" | <input type="checkbox"/> 10.5" | <input type="checkbox"/> 9" | |
| 14" | <input type="checkbox"/> 11.5" | <input type="checkbox"/> 10" | |
| 15" | <input type="checkbox"/> 12.5" | <input type="checkbox"/> 11" | <input type="checkbox"/> 9" |
| 16" | <input type="checkbox"/> 13.5" | <input type="checkbox"/> 12" | <input type="checkbox"/> 10" |
| 17" | <input type="checkbox"/> 14.5" | <input type="checkbox"/> 13" | <input type="checkbox"/> 11" |
| 18" | <input type="checkbox"/> 15.5" | <input type="checkbox"/> 14" | <input type="checkbox"/> 12" |
| 19" | <input type="checkbox"/> 16.5" | <input type="checkbox"/> 15" | <input type="checkbox"/> 13" |
| 20" | <input type="checkbox"/> 17.5" | <input type="checkbox"/> 16" | <input type="checkbox"/> 14" |



OR

V-FRONT END V Measure from inside of front frame tube to inside of opposite front frame tube 2-1/2" above footrest. (Required with Front Seat Taper T. Titanium Footrests have 1" of adjustment up and down. Not available with Ergonomic Seat frames.)

- ZFE2 V-Front Taper.....**\$315**
- 9" 10" 11" 12" 13" 14" 15"

BACK SUPPORTS

ROHO® AGILITY® ACTIVE ALUMINUM Contour Back Support

Shell Height 8" 10"

- SBRS14 AGILITY Active Aluminum Min Contour with Foam.....**\$738 E2620**
- SBRS15 AGILITY Active Aluminum Mid Contour with Foam.....**\$738 E2620**

ROHO® AGILITY® ACTIVE CARBON Contour Back Support (2x2 Twill Weave Carbon Fiber)

Shell Height 10" 13" 16"

- AGILITY Carbon Min Contour Back with Foam w/ Air Insert
- SBRS7 Foam w/ Air Insert.....**\$738 E2620**
- ACB1 AGILITY Active Carbon Upgrade (Not available with Bolt-on Push Handles).....**\$464**
- Fixed Hardware (Not available with 18" Shell Height or Folding Chairs.).....**NCO**

- AGILITY Carbon Mid Contour Back with Foam w/ Air Insert
- SBRS9 Foam w/ Air Insert.....**\$738 E2620**
- ACB2 AGILITY Active Carbon Upgrade (Not available with Bolt-on Push Handles).....**\$464**
- Fixed Hardware (Not available with 18" Shell Height or Folding Chairs.).....**NCO**

COMFORT ACTA-EMBRACE® Back Support

Shell Height 10" 12" 14" 16"

- SBRS16 Acta-Embrace Back with 2-PT Quick Release Compass Hardware.....**\$642 E2613**
- CPSB1 Comfort Privacy Shield.....**\$44**

COMFORT ACTA-RELIEF Back Support

Shell Height 10" 12" 14" 16"

- SBRS13 Acta-Relief Back with 2-PT Quick Release Compass Hardware.....**\$846 E2615**
- CPSB1 Comfort Privacy Shield.....**\$44**

TiLite Aero Z (CMD) Order Form

BACK UPHOLSTERY (Want more seating options? [Click here](#) to view the new TiLite Seating Order Form.)

ZBUP2 Velcro Adjustable (Not available with Fold-Down Push Handles.).....**STD**

Tension Adjustable by Straps (Required with Fold-Down Push Handles.)

ZBUP3 Padded Nylon.....**\$369 E2611**
 ZBUP5 AIR Breathable Upholstery (Not available with Ultrasuede Backrest Stripe.).....**\$369 E2611**
 ZUPC3 Ultrasuede Backrest Stripe Black.....**\$115**
 ZBUP0 Omit Back Upholstery.....**NCO**

TiFit: TAILORED INDIVIDUALIZED FRAME

Options shown below are our most popular selections. **Not seeing what you want?** Contact customer service or visit our Creative Mobility Division (CMD) catalog [here](#) to view additional options.

SEAT BACK TYPE/PUSH HANDLES/SEAT BACK HEIGHT F Measure from top of back post to top of seat tube at rear of frame.

ZSB1 Folding Aluminum Adjustable Height Back (Required for Heavy Duty Frame.).....**STD**
 ZSB2 Folding Titanium Adjustable Height Back and Rounded Rigidizer Bar (Titanium back will match Frame Finish).....**\$277**

TISHAFT™ BACK RELEASE BARS (Not available with Non-Folding, Fixed Height Titanium Back.)

ZSB3 Aluminum.....**STD**
 ZSB6 2x2 Twill Weave Carbon Fiber.....**\$82**

PUSH HANDLES

ZSB6 Integrated Push Handles.....**NCO**
 ZSB7 Integrated Fold-Down Push Handles (Requires Tension Adjustable by Straps Back Upholstery.).....**\$125**
 ZSB8 Bolt-On Push Handles (Includes 4" Deep Backrest Rigidizer Bar. Not available with Ti Back.).....**\$217**
 ZSB9 Bolt-On Height-Adjustable Push Handles (Includes 4" Deep Backrest Rigidizer Bar. Not available with Ti Back.).....**\$363**

FOLDING SEAT BACK HEIGHT F (ZSB1 and ZSB2)

| Push Handles (Selected Above) | Short | Medium | Tall | Set at: (Use 1/2" increments) |
|-------------------------------|--------------------------------------|--------------------------------------|--------------------------------------|-------------------------------|
| None/ Bolt-On | <input type="checkbox"/> 8.5"-11.5" | <input type="checkbox"/> 12"-16.5" | <input type="checkbox"/> 16"-20.5" | Set at: _____ |
| Integrated | <input type="checkbox"/> 10.5"-12.5" | <input type="checkbox"/> 13.5"-16.5" | <input type="checkbox"/> 17.5"-20.5" | Set at: _____ |
| Integrated Fold-Down | <input type="checkbox"/> 13"-15" | <input type="checkbox"/> 14.5"-18.5" | <input type="checkbox"/> 18.5"-21" | Set at: _____ |

AVAILABLE ON ALL BACKS

ZSB11 Backrest that Locks when Folded (Not available with Ergonomic Seat.).....**STD**
 ZSB12 4" Deep Backrest Rigidizer Bar (Required with Heavy Duty Frame. 4" Deep Rigidizer Bar is NOT a rounded style rigidizer bar.).....**NCO**
 ZSB16 Depth Adjustable Back/Frame (Seat Depths B of 10"-18" allow 2" of rearward adjustment. Height Adjustable Push Handles have a limited height range with Depth Adjustable Back. Not Available with 19" or 20" Seat Depths B, Tension Adjustable By Straps Seat Upholstery or Carbon Fiber Side Guards.).....**NCO**

SEAT BACK ANGLE G Measure angle from front of back post to floor.

ZSBA1 **Folding Back**
 80° 83° 86° 89° 92° 95° 98° 101°.....**STD**

CENTER OF GRAVITY H Measure from front of back post at the seat tube to the center of the rear axle. If no center of gravity is selected, chair will ship with the center of gravity in the rearward-most position.

ZCOG1 0" 0.25" 0.5" 0.75" 1" 1.25" 1.5" 1.75" 2" 2.25" 2.5" 2.75" 3" 3.25" 3.5" 3.75" 4" 4.25" 4.5" 4.75" 5".....**STD**

REAR WHEEL SPACING J/PLUGS Measure from outside of seat back post to inside of rear tire Ergonomic Seat selection may limit available center of gravity.

ZRWS1 .75" 1" 1.25".....**STD**
 ZCBR12 Adjustable Rear Wheel Spacing Camber Plugs.....**STD**
 ZCBR9 Additional Spacers to Increase Rear Wheel Spacing.....**NCO**
 ZCBR11 Zero Play Aluminum Camber Plugs (Not available with Power Adaptable Frame or more than 6° of Camber K.).....**NCO**

TiFit: TAILORED INDIVIDUALIZED FRAME

SEAT UPHOLSTERY

ZSUP1 Tension Adjustable Bolt On (Not available with Ergonomic Seat or Tapered Seat T. Black only.).....**STD**
 ZSUP2 Tension Adjustable by Straps (Standard with Ergonomic Seat and Front Seat Width (Seat Taper) T of 1", 2" or 3". Black upholstery only.).....**\$201**
 ZSUP8 Aluminum Solid Seat (Not available with 10" or 11" Rear Seat Width A, Ergonomic Seat U requires CMD 016.).....**\$309 E2231**
 ZSUP0 Omit Seat.....**NCO**

Custom iSleeve CMD 018. Please provide sleeve width and depth (in inches) in the Notes section at the end of this order form (add 1" to device depth and 1/4" to width). Some limitations may apply.

TiLite Aero Z (CMD) Order Form

SEAT CUSHION (Want more seating options? [Click here](#) to view the new TiLite Seating Order Form.)

| | | | |
|--------|--|-------|-------|
| ZCSH2 | <input type="checkbox"/> Comfort Curve Cushion (Stretch-Air cover)..... | \$122 | E2601 |
| ZCSH23 | <input type="checkbox"/> Comfort Acta-Embrace™ Comfort-Tek Zero Elevation Cushion..... | \$428 | E2607 |
| ZCSH11 | <input type="checkbox"/> ROHO® Single Compartment (Fits seat widths 14" to 19") Profile: <input type="checkbox"/> Low <input type="checkbox"/> Mid <input type="checkbox"/> High..... | \$534 | E2622 |
| XCSH14 | <input type="checkbox"/> ROHO® QUADTRO SELECT® Cushion (Fits seat widths 14" to 19") Profile: <input type="checkbox"/> Low <input type="checkbox"/> Mid <input type="checkbox"/> High..... | \$534 | E2624 |
| ZCSH16 | <input type="checkbox"/> ROHO® Hybrid Select (Fits seat widths 14" to 18", and 20")..... | \$571 | E2624 |
| ZCSH17 | <input type="checkbox"/> Vicair Vector 02 with Comfair Cover (Fits seat widths A 14" to 19". Non-stock upcharges may apply.)..... | \$515 | E2624 |

CUSTOM CONFIGURATION OPTIONS

CAMBER K/CAMBER TUBES

| | | |
|--------|--|-------|
| ZCBR1 | <input type="checkbox"/> 0° <input type="checkbox"/> 2° <input type="checkbox"/> 4° <input type="checkbox"/> 6° (More than 0° of Camber K is not available with the Power Adaptable Frame. 8° of Camber may be available through our Creative Mobility Division.)..... | STD |
| ZCBR15 | <input type="checkbox"/> Aluminum Camber Tube..... | STD |
| ZCBR3 | <input type="checkbox"/> Titanium Camber Tube..... | \$217 |

FRONT WHEELS

| | | |
|-------|---|-------|
| ZFW24 | <input type="checkbox"/> 3"x1.5" LiteSpeed Billet Aluminum Wheel w/Soft Roll Tire <input type="checkbox"/> Silver Hub OR <input type="checkbox"/> Black Hub..... | \$206 |
| ZFW14 | <input type="checkbox"/> 4"x.75" Plastic Wheel w/Poly Tire (Not available with Slipstream Fork or Power Adaptable Frame.)..... | NCO |
| ZFW3 | <input type="checkbox"/> 4"x.75" Light-Up Micro-Caster (Not available with Slipstream Fork or Power Adaptable Frame.)..... | \$88 |
| ZFW26 | <input type="checkbox"/> 4"x1.5" LiteSpeed Plastic Wheel w/Soft Roll Tire (Not available with Power Assist, Power Add-on System)..... | \$112 |
| ZFW27 | <input type="checkbox"/> 4"x1.5" LiteSpeed Billet Aluminum Wheel w/Soft Roll Tire <input type="checkbox"/> Silver Hub OR <input type="checkbox"/> Black Hub..... | \$217 |
| ZFW6 | <input type="checkbox"/> 5"x1" Plastic Wheel w/Poly Tire (Not available with 90° Front Angle L, Slipstream Fork or Power Adaptable Frame.)..... | NCO |
| ZFW28 | <input type="checkbox"/> 5"x1.5" LiteSpeed Plastic Wheel w/Soft Roll Tire (Not available with 90° Front Angle L or Power Adaptable Frame.)..... | \$103 |
| ZFW30 | <input type="checkbox"/> 5"x1.5" LiteSpeed Billet Aluminum Wheel w/Soft Roll Tire <input type="checkbox"/> Silver Hub OR <input type="checkbox"/> Black Hub (Not available with 90° Front Angle L.)..... | \$233 |
| ZFW9 | <input type="checkbox"/> 6"x1" Plastic Wheel w/Poly Tire (Not available with 85° or 90° Front Angle L, Slipstream Fork or Power Adaptable Frame.)..... | NCO |
| ZFW32 | <input type="checkbox"/> 6"x1.5" LiteSpeed Plastic Wheel w/Soft Roll Tire (Not available with 85° or 90° Front Angle L, Slipstream Fork or Power Adaptable Frame.)..... | \$119 |
| ZFW33 | <input type="checkbox"/> 6"x1.5" LiteSpeed Billet Aluminum Wheel w/Soft Roll Tire <input type="checkbox"/> Silver Hub OR <input type="checkbox"/> Black Hub (Not available with 85° or 90° Front Angle L or Slipstream Fork.)..... | \$244 |

PRECISION LOCK FRONT FORKS

| | | | |
|-------|---|-------|-------|
| ZFK1 | <input type="checkbox"/> TiLite Standard Fork..... | STD | |
| ZFK2 | <input type="checkbox"/> TiLite Slipstream Single-Sided Fork (Not available with Power Adaptable Frame.)..... | \$185 | |
| ZGL1 | <input type="checkbox"/> Glide™ Suspension Fork (Black anodize only. Not available with Heavy Duty Frame.)..... | \$526 | E1015 |
| | Rider's Weight: <input type="checkbox"/> 125 lbs. <input type="checkbox"/> 125-180 lbs. <input type="checkbox"/> 180-265 lbs. | | |
| ZTFS1 | <input type="checkbox"/> Titanium Fork Stem..... | \$66 | |

STANDARD REAR WHEELS (See Rear Seat Height Ranges Chart for Rear Seat Height D limitations.)

| | | |
|-------|--|-----|
| ZRW14 | TiLite SHADOW™..... | STD |
| | <input type="checkbox"/> 20"(451) | |
| | <input type="checkbox"/> 22"(501) | |
| | <input type="checkbox"/> 24"(540) | |
| | <input type="checkbox"/> 25"(559) (Requires 15" minimum Seat Depth B.) | |
| | <input type="checkbox"/> 26"(590) (Requires 15" minimum Seat Depth B.) | |

PERFORMANCE REAR WHEELS (See Rear Seat Height Ranges Chart for Rear Seat Height D limitations.)

| | | |
|------|---|---------|
| ZRW7 | Spinergy SPOX <input type="checkbox"/> Black <input type="checkbox"/> Red <input type="checkbox"/> Blue <input type="checkbox"/> White <input type="checkbox"/> Orange <input type="checkbox"/> Pink <input type="checkbox"/> Purple <input type="checkbox"/> Green (Orange, Pink, Purple and Green only available in 20" size.)..... | \$915 |
| | <input type="checkbox"/> 20"(451) - Std. Hub | |
| | <input type="checkbox"/> 22"(501) - Std. Hub | |
| | <input type="checkbox"/> 24"(540) - Std. Hub | |
| | <input type="checkbox"/> 25"(559) - Std. Hub (Requires 15" minimum Seat Depth B.) | |
| | <input type="checkbox"/> 26"(590) - Std. Hub (Requires 15" minimum Seat Depth B.) | |
| ZRW8 | Spinergy LX <input type="checkbox"/> Black <input type="checkbox"/> Red <input type="checkbox"/> Blue <input type="checkbox"/> White <input type="checkbox"/> Bright Orange <input type="checkbox"/> Flamingo Pink <input type="checkbox"/> Purple <input type="checkbox"/> Green..... | \$1,148 |
| | <input type="checkbox"/> 22"(501) - Std. Hub | |
| | <input type="checkbox"/> 24"(540) - Std. Hub | |
| | <input type="checkbox"/> 25"(559) - Std. Hub (Requires 15" minimum Seat Depth B.) | |
| | <input type="checkbox"/> 26"(590) - Std. Hub (Requires 15" minimum Seat Depth B.) | |
| ZRW9 | Spinergy Design Lab LX Wheels (If same color is selected, anodized hubs and rims match color anodized package on page 1. Available with black spokes only.) | |
| | <input type="checkbox"/> Gold Anodize <input type="checkbox"/> Green Anodize <input type="checkbox"/> Blue Anodize <input type="checkbox"/> Red Anodize <input type="checkbox"/> Purple Anodize <input type="checkbox"/> Orange Anodize..... | \$1,364 |
| | <input type="checkbox"/> 22"(501) - Std. Hub | |
| | <input type="checkbox"/> 24"(540) - Std. Hub | |
| | <input type="checkbox"/> 25"(559) - Std. Hub (Requires 15" minimum Seat Depth B.) | |
| | <input type="checkbox"/> 26"(590) - Std. Hub (Requires 15" minimum Seat Depth B.) | |

TiLite Aero Z (CMD) Order Form

| | | | |
|-------|--|---------|--|
| ZRW16 | Spinergy® Carbon Blade with 2x2 Twill Weave Carbon Fiber (Not available with Heavy Duty Frame.)..... | \$1,602 | |
| | <input type="checkbox"/> 24"(540) | | |
| | <input type="checkbox"/> 25"(559) (Requires 15" minimum Seat Depth B.) | | |
| ZRW17 | X-Core Mag (Not available with Heavy Duty Frame, Short Tabs, Quad Release Axles, Spoke Guards or Omit Handrims Option. Requires Aluminum Sliver Anodized Handrims.)..... | \$66 | |
| | <input type="checkbox"/> 20"(451) | | |
| | <input type="checkbox"/> 22"(501) | | |
| | <input type="checkbox"/> 24"(540) | | |

AXLES

| | | | |
|-------|--|-------|--|
| ZAXL1 | <input type="checkbox"/> Stainless Quick Release..... | STD | |
| ZAXL2 | <input type="checkbox"/> Titanium Quick Release..... | \$277 | |
| ZAXL3 | <input type="checkbox"/> Quad Release (Not available with Mag or 26"(590) Spinergy Spox or LX Rear Wheels.)..... | \$169 | |

PNEUMATIC REAR TIRES

| | | | |
|--------|--|-------|-------|
| ZRTR1 | <input type="checkbox"/> Treaded 22"(501), 24"(540), and 26"(590)..... | STD | |
| ZRTR2 | <input type="checkbox"/> Treaded with Airless Inserts (Not available with Spinergy Carbon Blade Rear Wheels.)..... | \$98 | E2213 |
| ZRTR31 | <input type="checkbox"/> MBL SpeedLite 20"(451), 22"(501), 24"(540), 25"(559) and 26"(590)..... | NCO | |
| ZRTR30 | <input type="checkbox"/> 24"(540), 25"(559) and 26"(590) Primo Sentinel..... | \$136 | |
| ZRTR8 | <input type="checkbox"/> 24"(540), 25"(559) and 26"(590) Schwalbe® Marathon Plus Evolution..... | \$152 | |
| ZRTR32 | <input type="checkbox"/> 24"(540) Primo C-763 Knobby..... | \$104 | |

SOLID REAR TIRES (Not available with Spinergy Carbon Blade Rear Wheels.)

| | | | |
|--------|---|-------|--|
| ZRTR22 | <input type="checkbox"/> 20"(451), 22"(501), 24"(540) and 25"(559) Primo Express..... | \$120 | |
| ZRTR23 | <input type="checkbox"/> 24"(540) and 25"(559) Primo Active..... | \$147 | |

HANDRIMS

| | | | |
|---|---|-------|--|
| ZRIM1 | <input type="checkbox"/> Aluminum – Silver Anodized..... | STD | |
| ZRIM21 | <input type="checkbox"/> Aluminum – Black Anodized..... | NCO | |
| ZRIM12 | <input type="checkbox"/> Titanium – Satin Finish (Not available with 20"(451) or 22"(501) Rear Wheels, or 24"(540) Knobby tires.)..... | \$509 | |
| ZRIM10 | <input type="checkbox"/> The Surge (All-In-One Oval with Gription™ Strip, Larger Profile) (Not available with 20"(451) Rear Wheels.)..... | \$433 | |
| ZRIM11 | <input type="checkbox"/> The Surge LT (All-In-One Oval with Gription™ Strip, Smaller Profile) (Not available with 20"(451) Rear Wheels.)..... | \$466 | |
| ZRIM20 | <input type="checkbox"/> Q-Grip (Exclusive High-Friction, Anti-Slip Coating) (Not available with 20"(451) Rear Wheels.)..... | \$358 | |
| The Natural-Fit® (Original, Larger Profile) (Not available with 20"(451) Rear Wheels.) | | | |
| ZRIM14 | <input type="checkbox"/> Standard Grip (Not available with Short Tabs or Spinergy Carbon Blade Rear Wheels.)..... | \$428 | |
| ZRIM15 | <input type="checkbox"/> Super Grip (Not available with Short Tabs or Spinergy Carbon Blade Rear Wheels.)..... | \$466 | |
| ZRIM16 | <input type="checkbox"/> Without Thumb Grip..... | \$390 | |
| The Natural-Fit® LT (Reduced Weight, Smaller Profile) (Not available with 20"(451) Rear Wheels.) | | | |
| ZRIM17 | <input type="checkbox"/> Standard Grip (Not available with Short Tabs or Spinergy Carbon Blade Rear Wheels.)..... | \$440 | |
| ZRIM18 | <input type="checkbox"/> Super Grip (Not available with Short Tabs or Spinergy Carbon Blade Rear Wheels.)..... | \$514 | |
| ZRIM19 | <input type="checkbox"/> Without Thumb Grip..... | \$423 | |

Additional Handrim Options

| | | | |
|--------|--|-------|--|
| ZRIM5 | <input type="checkbox"/> Plastic Coated – Black..... | \$174 | |
| ZRIM22 | <input type="checkbox"/> Omit Handrims..... | NCO | |

Tab Length

| | | | |
|-------|--|------|--|
| ZRIM7 | <input type="checkbox"/> Long Tabs..... | STD | |
| ZRIM8 | <input type="checkbox"/> Short Tabs (Not available with Mag Rear Wheels or The Natural-Fit Handrims with Thumb Grip.)..... | \$28 | |

WHEEL LOCKS

| | | | |
|--------|---|------|-------|
| ZWLK7 | <input type="checkbox"/> Compact Composite Push to Lock (Available with .75" to 1.5" Rear Wheel Spacing J only.)..... | NCO | |
| ZWLK8 | <input type="checkbox"/> Compact Composite Pull to Lock (Available with .75" to 1.5" Rear Wheel Spacing J only.)..... | NCO | |
| ZWLK10 | <input type="checkbox"/> Extension Handles for Compact Composite Push/Pull to Lock..... | \$93 | E0961 |

Additional Wheel Locks

| | | | |
|--------|---|-------|-------|
| ZWLK11 | <input type="checkbox"/> MBL Composite Scissor Lock..... | \$158 | |
| ZWLK3 | Uni-Lock Set At: <input type="checkbox"/> Push OR <input type="checkbox"/> Pull..... | \$179 | |
| ZWLK4 | <input type="checkbox"/> Extension Handles for Uni-Lock..... | \$93 | E0961 |
| ZWLK15 | <input type="checkbox"/> Grade Aids Push to Lock (Not available with solid rear tires)..... | \$190 | E0974 |

CUSTOM CONFIGURATION OPTIONS

SIDE GUARDS

Aluminum

| | | | | |
|-------|---|---|-------|--|
| ZSDG2 | <input type="checkbox"/> Rigid Removable | <input type="checkbox"/> Small OR <input type="checkbox"/> Std..... | \$217 | |
| ZSDG3 | <input type="checkbox"/> Quad Removable w/Hole | <input type="checkbox"/> Small OR <input type="checkbox"/> Std..... | \$233 | |
| ZSDG4 | <input type="checkbox"/> Fold Down Rigid | <input type="checkbox"/> Small OR <input type="checkbox"/> Std (Not available with Ergonomic Seat.)..... | \$363 | |
| ZSDG6 | <input type="checkbox"/> Fendered Adjustable (Available with 24" and 25" Rear Wheels. Requires Rear Seat Height D of 14.5" to 18.5")..... | | \$363 | |

TiLite Aero Z (CMD) Order Form

Effective October 2024 (New Items in Red)

RIGID FRAME

Page 7 of 8

2x2 Twill Weave Carbon Fiber

| | | | | | | | |
|--------|--|--------------------------------|----|--|-------|-------|--|
| ZSDG7 | <input type="checkbox"/> Rigid Removable | <input type="checkbox"/> Small | OR | <input type="checkbox"/> Std. | | \$336 | |
| ZSDG8 | <input type="checkbox"/> Quad Removable w/Hole | <input type="checkbox"/> Small | OR | <input type="checkbox"/> Std. | | \$347 | |
| ZSDG9 | <input type="checkbox"/> Fold Down Rigid | <input type="checkbox"/> Small | OR | <input type="checkbox"/> Std. (Not available with Ergonomic Seat.) | | \$499 | |
| ZSDG12 | <input type="checkbox"/> Fendered Removable | | | | | \$493 | |

Available on Aluminum and Carbon Fiber Non-Fendered Side Guards

| | | | | |
|--------|---|-------|-------|--|
| ZSDG13 | <input type="checkbox"/> Side Guards Custom Cut to Profile of Rear Wheels (Not available with Cloth.) | | \$342 | |
|--------|---|-------|-------|--|

Custom Offset Profiled Sideguards (Removable or Fold-Down) CMD 007. Please specify desired offset to nearest ±½" (e.g., ±0.50") and sideguard type (rigid or fold-down) in the Notes section of the order form. Sideguard material must be selected. Some limitations may apply.

ARMRESTS (Desk Arms come with built-in Side Guards.)

| | | | | |
|-------|---|-------|-------|-------|
| ZARM1 | Swing Away Tubular <input type="checkbox"/> 6.5" to 9.5" OR <input type="checkbox"/> 9.5" to 12.5" (Not Available with Heavy Duty Frame or Height Adjustable Push Handles.) | | \$244 | E0973 |
| ZARM6 | <input type="checkbox"/> Swing Away Fixed Height - Flip Back Tubular (Not Available with Heavy Duty Frame.) | | NCO | |
| ZARM4 | <input type="checkbox"/> Swing Away Height Adjustable 8.5" to 11.5" - Flip Back Tubular (Not Available with Heavy Duty Frame.) | | \$342 | E0973 |
| ZARM2 | Removable Height Adjustable Desk Arm with Rigid Side Guard (Requires 14" minimum Seat Depth B. Not available with Ergonomic Seat.) | | \$363 | E0973 |
| | <input type="checkbox"/> 9" to 12" OR <input type="checkbox"/> 12" to 15" | | | |
| | <input type="checkbox"/> Standard Length Pad (10") OR <input type="checkbox"/> Full Length Pad (14") | | | |
| ZARM3 | Removable Height Adjustable Desk Arm with Rigid Side Guard and Transfer Loop (Requires 15" minimum Seat Depth B. Not Available with Ergonomic Seat.) | | \$406 | E0973 |
| | <input type="checkbox"/> 9" to 12" OR <input type="checkbox"/> 12" to 15" | | | |
| | <input type="checkbox"/> Standard Length Pad (10") OR <input type="checkbox"/> Full Length Pad (14") | | | |

Available Armrest Option

| | | | | |
|-------|---|-------|-------|--|
| ZARM5 | <input type="checkbox"/> Covered in Black Ultrasuede (Not available with Desk Arms) | | \$120 | |
|-------|---|-------|-------|--|

SEAT BELTS

| | | | | |
|--------|---|-------|-------|-------|
| ZBLT1 | <input type="checkbox"/> Velcro Adjustable, Black Nylon Webbing | | \$61 | E0978 |
| ZBLT2 | <input type="checkbox"/> Bodypoint® 2" Push-Button Buckle (Auto-Style.) | | \$103 | E0978 |
| ZBLT4 | <input type="checkbox"/> Bodypoint® 1" Wide Push-Button Buckle Padded (Auto-Style.) (Not available with 19" or 20" Rear Seat Widths A.) | | \$196 | E0978 |
| ZBLT5 | <input type="checkbox"/> Bodypoint® 1.5" Wide Push-Button Buckle Padded (Auto-Style.) (Not available with 19" or 20" Rear Seat Widths A.) | | \$185 | E0978 |
| ZBLT8 | <input type="checkbox"/> Q'Straint® WC-19 Wheelchair-Anchored Pelvic Belt (Recommended for use with Transit Tie Down. Not Available with ZR.) | | \$217 | E0978 |
| ZBLT10 | <input type="checkbox"/> Bodypoint® Optional Band Clamp Mounting Hardware | | \$22 | K0108 |
| ZBLT16 | <input type="checkbox"/> Bodypoint® EvoFlex® Pelvic Stabilizer Push Button | | \$201 | E0978 |

CALF STRAP

| | | | | |
|-------|--|-------|-------|-------|
| ZCLF2 | Velcro Adjustable | | \$44 | K0038 |
| | <input type="checkbox"/> Small (Recommended for 9" - 12" Footrest Widths.) | | | |
| | <input type="checkbox"/> Medium (Recommended for 11" - 15" Footrest Widths.) | | | |
| | <input type="checkbox"/> Large (Recommended for 14" - 17" Footrest Widths.) | | | |
| | <input type="checkbox"/> Xtra Large (Recommended for 16" - 19" Footrest Widths.) | | | |
| ZCLF3 | Bodypoint® Padded Velcro Adjustable | | \$109 | K0038 |
| | <input type="checkbox"/> Small (Recommended for 8" - 11" Footrest Widths.) | | | |
| | <input type="checkbox"/> Medium (Recommended for 11" - 15" Footrest Widths.) | | | |
| | <input type="checkbox"/> Large (Recommended for 16" - 19" Footrest Widths.) | | | |
| ZCLF1 | <input type="checkbox"/> Buckle Adjustable, Black Nylon Webbing | | \$61 | K0038 |

RESIDUAL LIMB SUPPORT

| | | | | |
|-------|---|-------|-------|-------|
| ZRSL1 | Residual Limb Support <input type="checkbox"/> Left OR <input type="checkbox"/> Right (8" width x 10" length) | | \$428 | E1020 |
| ZRSL2 | <input type="checkbox"/> Residual Limb Support Pair (8" width x 10" length) | | \$855 | E1020 |

BACKPACK

| | | | | |
|-------|--|-------|-------|--|
| ZBCK3 | <input type="checkbox"/> Permobil Medical Necessities Backpack | | \$103 | |
|-------|--|-------|-------|--|

SEAT POUCH

| | | | | |
|-------|--|-------|-------|--|
| ZPCH3 | <input type="checkbox"/> Permobil Medical Necessities Seat Pouch | | \$66 | |
| ZPCH4 | <input type="checkbox"/> Bodypoint® Mobility Bag | | \$109 | |

SPOKE GUARDS

| | | | | |
|-------|--|-------|-------|-------|
| ZGRD1 | <input type="checkbox"/> Clear Lexan (Not available with Mag Rear Wheels.) | | \$147 | K0065 |
|-------|--|-------|-------|-------|

CUSTOM CONFIGURATION OPTIONS

ANTI-TIPS

| | | | | |
|-------|---|-------|-------|-------|
| ZTIP1 | <input type="checkbox"/> Rear Aluminum - Black | | \$174 | E0971 |
| ZTIP2 | <input type="checkbox"/> User Friendly Flip-up (Not available with Frog Legs® Rear Suspension.) | | \$363 | E0971 |

TiLite Aero Z (CMD) Order Form

Effective October 2024 (New Items in Red)

RIGID FRAME

Page 8 of 8

ACCESSORIES

| | | | |
|--------|--|-------|-------|
| ZUEST1 | Upper Extremity Support Tray <input type="checkbox"/> 12" to 14" OR <input type="checkbox"/> 13" to 15" Seat Widths A (Requires Armrests.)..... | \$315 | E0950 |
| ZLUG1 | <input type="checkbox"/> Luggage Carriers..... | \$158 | |
| ZMPCT2 | Neoprene Impact Guards with Ultrasuede Stripe <input type="checkbox"/> Black..... | \$115 | |
| ZCH1 | <input type="checkbox"/> Crutch Holder..... | \$244 | E2207 |
| ZAFP1 | 4" Logo Patch <input type="checkbox"/> Army <input type="checkbox"/> Navy <input type="checkbox"/> Air Force <input type="checkbox"/> Marines..... | \$115 | |

GENERAL

More options and frame modifications may be available through our Creative Mobility Division! Please contact customer service for details or [click here](#) to view options.

Permobil manufactures TiLite manual wheelchairs in a wide variety of configurations to meet the varied needs of wheelchair users. The final selection of a particular model, its options and accessories, and its measurements rests solely with the wheelchair user and advising healthcare professional. These wheelchairs must be fitted by a qualified healthcare professional. HCPCS Codes are for reference purposes only. Actual coding and coverage varies by payer. Proper HCPCS coding is not a guarantee of payment. Please verify the appropriate payer's coverage policy.

Get the latest order forms at permobilus.com. Prices, standard features, options and accessories are subject to change without notice. All rights reserved. Trademarks are identified by symbols™ and ®. TiLite, TiFit, the TiLite logo, Ti, the Ti logo, and TiShaft are registered trademarks of TiSport, LLC and are licensed to Permobil. Permobil® is a registered trademark of Permobil. Adobe®, Acrobat®, Acrobat Professional® and Reader® are registered trademarks of Adobe Systems Inc. Bodypoint® is a registered trademark of Bodypoint Inc. Kenda® is a registered trademark of Kenda Rubber Industrial Co. Ltd. ROHO®, AGILITY®, Low Profile® and Quadro Select® are registered trademarks of ROHO Inc. Schwalbe® is a registered trademark of Ralf Bohle GmbH. The Natural-Fit® and Out-Front® are registered trademarks of Three Rivers Holdings, LLC. The ACTA-BACK®, ACTA-EMBRACE™, COMFORT-TEK™, COMPASS®, CURVE®, ELEMENTS®, and STRETCH AIR™ are registered trademarks of THE COMFORT COMPANY® and are licensed to Permobil. Q'Straint® is a registered trademark of Q'Straint Inc.

NOTES

QUOTE THIS CHAIR

If you are using Adobe Acrobat, this order form may be converted into a quote request or into an order by clicking one of the buttons (this feature is available exclusively to Permobil dealers and distributors). A Quote or an Order Confirmation will be sent to you within 24 hours.

ORDER THIS CHAIR