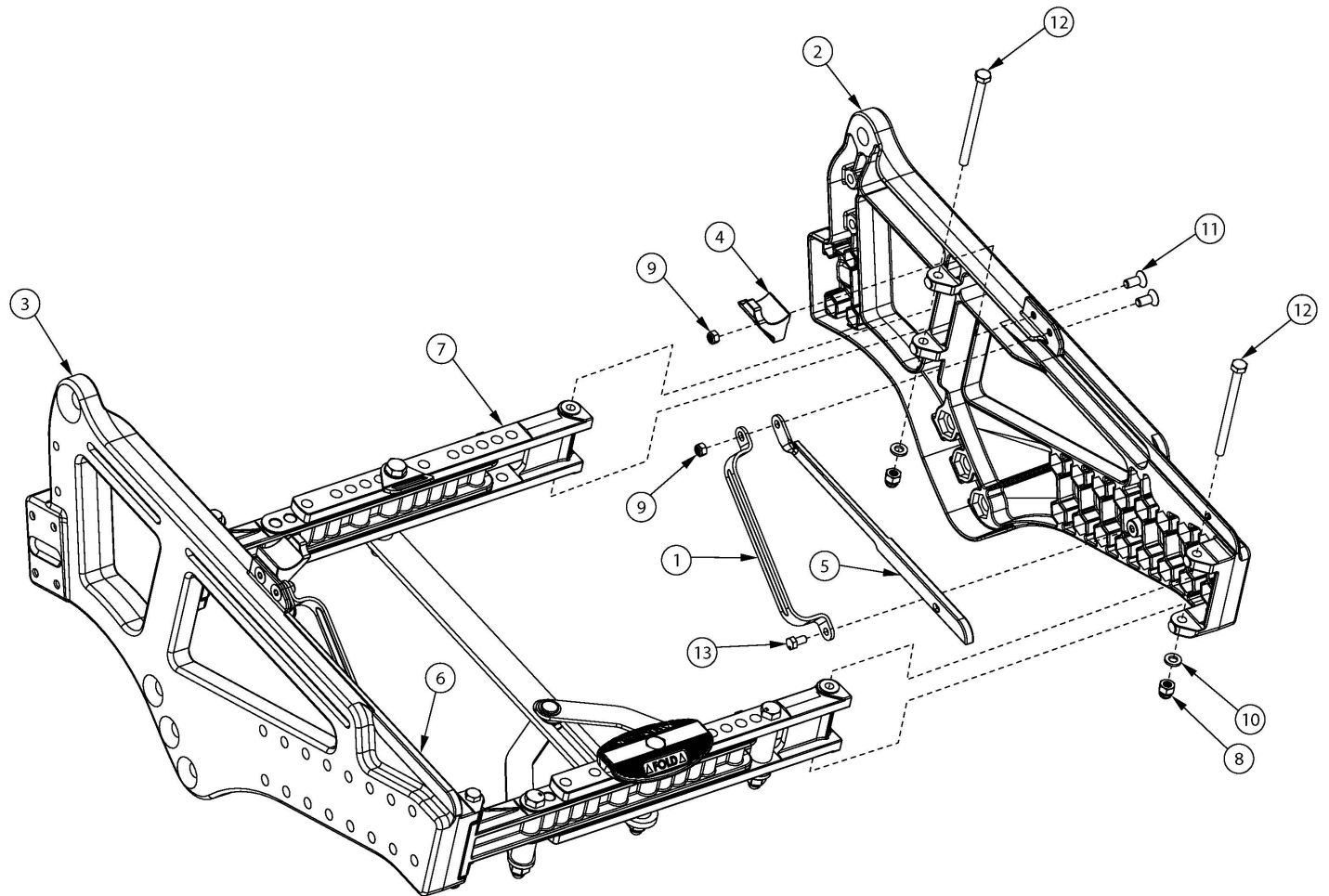


Liberty Side Frame



Item Number	Part Number	Description	Quantity
1	003248	Retainer, Gas Spring	2
2, 5	506593_ _ _	Side Frame, Right, Liberty	1
3, 6	506594_ _ _	Side Frame, Left, Liberty	1
4	003269	Bumper, Seat Frame	2
5	506591	Inner Frame Cover Right, Liberty <i>Includes installation instructions</i>	1
6	506592	Inner Frame Cover Left, Liberty <i>Includes installation instructions</i>	1
7a	110071	Cross Brace Assembly, Base, Small, 14W with Instruction <i>Achieves all small width range settings 14" - 18" with folding frame. For complete breakdown of parts included, see Liberty FT Base Frame Cross Brace page.</i>	1

Item Number	Part Number	Description	Quantity
7b	110073	Cross Brace Assembly, Base, Medium, 16W with Instruction <i>Achieves all medium width range settings 16" - 20" with folding frame. For complete breakdown of parts included, see Liberty FT Base Frame Cross Brace page.</i>	1
7c	110075	Cross Brace Assembly, Base, Large, 18W with Instruction <i>Achieves all large width range settings 18" - 22" with folding frame. For complete breakdown of parts included, see Liberty FT Base Frame Cross Brace page.</i>	1
7d	110077	Cross Brace Assembly Non-Folding, Base, Small, 14W with Instruction <i>Achieves all small width range settings 14" - 18" with non-folding frame. For complete breakdown of parts included, see Liberty FT Base Frame Cross Brace page and Liberty FT Non-Folding Cross Brace page.</i>	1
7e	110079	Cross Brace Assembly Non-Folding, Base, Medium, 16W with Instruction <i>Achieves all medium width range settings 16" - 20" with non-folding frame. For complete breakdown of parts included, see Liberty FT Base Frame Cross Brace page and Liberty FT Non-Folding Cross Brace page.</i>	1
7f	110081	Cross Brace Assembly Non-Folding, Base, Large, 18W with Instruction <i>Achieves all large width range settings 18" - 22" with non-folding frame. For complete breakdown of parts included, see Liberty FT Base Frame Cross Brace page and Liberty FT Non-Folding Cross Brace page.</i>	1
8a	100558	M6 NYL INS Domed Cap L/N ZC <i>Use quantity 4 if Transit Wheels are not present. Use quantity 2 if Transit Wheels are present.</i>	4
8b	100658	M6 Nylock Nut Blk Zn <i>Use quantity 2 if Transit Wheels are present.</i>	2
9	100657	M5 Nylock Nut Blk Zn	4
10a	100746	M6 Flat Washer Blk Zn <i>Use quantity 4 if Transit Wheels are not present. Use quantity 2 if Transit Wheels are present.</i>	4
10b	102072	Washer Nylon .234 ID x .406 OD x .062 Thick <i>Use quantity 2 if Transit Wheels are present.</i>	2
11	102937	M5 X 14 FHCS, Blk Zn	4
12a	103027	M6 x 80 HHCS, Partial Thread, Blk Zn <i>Use quantity 4 if Transit Wheels are not present. Use quantity 2 if Transit Wheels are present</i>	4
12b	100704	M6 x 90 CLS8.8 DIN931 HHCS ZC <i>Use quantity 2 if Transit Wheels are present</i>	2
13	200427	M5 x 10 CLS8.8 HHCS ZC w/Patch DIN933	2

Matte Finish	
Code	Color Name
CGM	Charcoal Gray
EGM	Emerald Green
GGM	Graphite Gray*
IBM	Iridescent Burgundy
INM	Iridescent Navy
AGM	Military Green**
RRM	Retro Red
RBM	Royal Blue
SBM	Shadow Black
SWM	Smooth White

* Discontinued Color

** Formerly called Army Green

Gloss Finish	
Code	Color Name
BLK	Black
BLU	Blue
SKY	Blue Skies
BRO	Bright Orange*
PNK	Bubblegum Pink
BUR	Burgundy*
CBL	Candy Blue
PUR	Candy Purple
RED	Candy Red
COP	Copper
DPR	Deep Purple*
EBL	Electric Blue*
GRN	Forest Green*
FUS	Fuchsia*
GSM	Granny Smith
MTF	Metallic Fuchsia*
MOR	Metallic Orange
ORG	Orange*
SAP	Sapphire*
SIL	Silver
TEA	Teal
YLW	Yellow
FLM	Graphic Image Transfer