



Phone (800) 981-1540 | Fax (715) 254-0996  
 sales@kimobility.com | www.kimobility.com

# ROGUE ALX

Company:

Ship To:

Account Number:

Date:

Address:

Quote: PO Number:

City:

State:

ATP:

Zip:

Phone:

Marked For:

Email/Fax:

Associated Chair Quote/Order#:

Effective: 2/27/2023

## Frame

**Rogue ALX** K0005, E1235 **\$2070**  
 250 lb weight capacity

### Sling Position

*In Performance Position (0"), sling is at front of frame. The 1" or 2" sling position extends the frame in front of the sling by that amount. See reference C on page 6.*

0" (Performance)	N/C
1"	N/C
2" (Classic)	N/C

### Adjustable Depth

*Adds the capability to grow seat in depth*

No Rear Adjustment	N/C
1/2"	N/C
1"	\$85
2"	\$165
3"	\$165

### Long Sling

*Available only with 1", 2" and 3" Adjustable Depth*

Long Sling	N/C
<i>Sling will be maximum 2" longer than seat depth</i>	

### Seat Option

Standard Seat Sling	N/C
Aluminum Solid Seat Pan (E2231)	\$265
<i>Seat Pan is 1" longer when Long Sling option is selected</i>	

### Front Frame Bend

*Angle between front seat tube and ground. See reference D on page 6.*

90°	\$125
85°	N/C
80°	N/C
75°	N/C
70°	\$125

### Seat Width

*See reference A on page 6*

14"	N/C
15"	N/C
16"	N/C
17"	N/C
18"	N/C
19"	\$125
20" (E2201)	\$500
21" (E2201)	\$500
22" (E2201)	\$500

### Seat Depth

*See reference B on page 6*

14"	N/C
15"	N/C
16"	N/C
17"	N/C
18"	N/C
19"	\$75
20" (E2203)	\$500

### Weight Capacity

250 lbs	N/C
350 lb (Heavy Duty)	\$750
<i>Requires 6" casters</i>	

### Transit Option

Transit System	\$320
<i>125 lb maximum weight capacity</i>	
Omit	N/C

HCPCS codes provided are based on code verification by the PDAC or our interpretation of the code definitions.

Proper use of HCPCS codes does not ensure coverage or payment. For coverage information, verify the appropriate payer's coverage policy.

DCN0929.2 Pricing and specifications subject to change without notice.

## Backrest

### Back Post / Height Range / Back Height

Back Post	Price	Height Range	Back Height				
			11" <sup>2</sup>	12"	13"	14"	17"
Height Adjustable	N/C	Height Adjustable Short Back Post	11" <sup>2</sup>	12"	13"	14"	
		Height Adjustable Medium Back Post	13"	14"	15"	16"	17"
		Height Adjustable Tall Back Post	17"	18"	19"	20"	
Fixed Height <sup>1</sup>	\$85	Fixed Height Straight Back Post	9" <sup>2</sup>	10" <sup>2</sup>	11" <sup>2</sup>	12" <sup>3</sup>	13"
			14"	15"	16"	17"	18"

<sup>1</sup> Not available with back upholstery

<sup>2</sup> Not available with Fold Down Push Handle

<sup>3</sup> Fold Down Push Handle requires Height Adjustable Rigidizer Bar

### Push Handle

Omit Push Handle	N/C
Standard Push Handle	\$85
Low Profile Push Handle	\$150
<i>2" shorter than standard push handles</i>	
Bolt-On Push Handle	\$125
<i>Handles will be 1" - 2" above back height</i>	
Fold Down Push Handle	\$100
<i>Not available with 350 lb Weight Capacity</i>	

### Rigidizer Bar

Adjustable Height Rigidizer Bar	\$75
Non-Adjustable Height Rigidizer Bar	N/C

### Back Upholstery Options

*Available only with Height Adjustable Back Posts. If selecting both upholstery and Axiom Back, the upholstery will be installed.*

Padded Velcro Adjustable with Standard Cover	N/C
<i>Not available with 350 lb Weight Capacity</i>	
Padded Velcro Adjustable with Air Mesh Breathable Cover	\$75
<i>Not available with 350 lb Weight Capacity</i>	
Tension Adjustable with Standard Cover (E2611)	\$320
Tension Adjustable with Air Mesh Breathable Cover (E2611)	\$390
Omit	(\$10)

### Military Service Patches

Army	Navy	Marines	Air Force	
Coast Guard	US Purple Heart			\$90
Combo Army/Purple Heart		Combo Navy/Purple Heart		
Combo Marines/Purple Heart		Combo Air Force/Purple Heart		
Combo Coast Guard/Purple Heart				\$145

### Locking Backrest

Locking Fold Down Back	\$95
<i>Rogue style locking back. Not available with 350 lb Weight Capacity</i>	

### Seat Back Angle

*Standard is 90° (perpendicular to floor). Minus (-°) closes back angle. Plus (+°) opens back angle.*

Standard	+3°	+6°	+9°	-3°	-6°	
	-9°	-12°				N/C

## Front Seat Height and Casters

### Caster Size / Footrest Taper / Front Seat Height

*Select Front Seat Height and Footrest Taper in row corresponding to Caster Size. 6" casters not available with 85° and 90° Front Frame Bend. Footrest Taper indicates bend of front frame creating footrest width. Taper is measured from outside of seat frame to outside of front tube. 2" Taper not available with 75° Front Frame Bend. Taper is not available with 70° Front Frame Bend. See reference E on page 6. Front Seat Height is measured from floor to top of seat tube at front of seat sling. Adjustable up or down by 1/2". See reference F on page 6.*

Footrest Taper	Caster Size	Front Seat Height														
		13.5"	14"	14.5"	15"	15.5"	16"	16.5"	17"	17.5"	18"	18.5"	19"	19.5"	20"	20.5"
No Taper (Straight)	3"	13.5"	14"	14.5"	15"	15.5"	16"	16.5"	17"	17.5"	18"	18.5"	19"	19.5"	20"	20.5"
	4"	14"	14.5"	15"	15.5"	16"	16.5"	17"	17.5"	18"	18.5"	19"	19.5"	20"	20.5"	
	5"	14.5"	15"	15.5"	16"	16.5"	17"	17.5"	18"	18.5"	19"	19.5"	20"	20.5"		
	6"	15"	15.5"	16"	16.5"	17"	17.5"	18"	18.5"	19"	19.5"	20"	20.5"			
1"	3"	16.5"	17"	17.5"	18"	18.5"	19"	19.5"	20"	20.5"						
	4"	17"	17.5"	18"	18.5"	19"	19.5"	20"	20.5"							
	5"	17.5"	18"	18.5"	19"	19.5"	20"	20.5"								
	6"	18"	18.5"	19"	19.5"	20"	20.5"									
2"	3"	16.5"	17"	17.5"	18"	18.5"	19"	19.5"	20"	20.5"						
	4"	17"	17.5"	18"	18.5"	19"	19.5"	20"	20.5"							
	5"	17.5"	18"	18.5"	19"	19.5"	20"	20.5"								
	6"	18"	18.5"	19"	19.5"	20"	20.5"									

## Casters

		Caster Size				
		Price	3"	4"	5"	6"
Caster Type	.75" Rollerblade	N/C				
	.75" Lighted Rollerblade	\$70				
	1" Poly	N/C				
	1" Poly Aluminum	\$110				
	1" Pneumatic	\$80				
	1.5" Poly	\$55				
	1.5" Soft Roll Aluminum	\$185				

## Fork Options

Standard Fork	N/C
Slotted Fork	\$75
Single Sided Fork	\$170
<i>Not available with 6" Caster Size</i>	
Frog Legs II Suspension System	\$450
<i>Lightweight shock absorbing fork. Not available with 350 lb Weight Capacity.</i>	
Frog Legs Suspension Fork (E1015)	\$450
<i>Not available with 350 lb Weight Capacity</i>	
User Weight 80-120 lbs	N/C
User Weight 120-160 lbs	N/C
User Weight 160-220 lbs	N/C
User Weight 220-250 lbs	N/C
Caster Pin Locks	\$185
<i>Available only with Slotted Fork</i>	

## Footrest

Tubular "Open" Footplate	N/C
<i>Not available w/footrest widths greater than 17.5". See Reference G on page 6.</i>	
Tubular Footplate with ABS Cover	\$30
<i>Not available w/footrest widths greater than 15.5". See Reference G on page 6.</i>	
Aluminum Angle Adjustable (K0040)	\$95
Aluminum Angle Adjustable with Riser (K0040, K0037)	\$145
<i>Not available with 350 lb Weight Capacity</i>	
High Mount Aluminum Angle Adjustable (K0040, K0037)	\$95
<i>Not available with 350 lb Weight Capacity</i>	
Angle Adjustable Flip Under (K0040, K0037)	\$185
<i>Not available with footrest widths less than 9.5". Not available with 350 lb Weight Capacity</i>	
High Mount Angle Adjustable Flip Under (K0040, K0037)	\$270
<i>Not available with footrest widths greater than 15.5" or 350 lb Weight Capacity. See Reference G on page 6.</i>	

Footrest Protector	\$25
<i>Not available with Angle Adjustable Flip Under, High Mount Angle Adjustable Flip Under or High Mount Aluminum Angle Adjustable Footplates</i>	

## Seat to Footrest Length

*Measured from front edge of seat sling to top, rear of footrest. Footrest length at least 2.5" shorter than Front Seat Height recommended. See reference H on page 6.*

8"	8.5"	9"	9.5"	10"	10.5"
11"	11.5"	12"	12.5"	13"	13.5"
14"	14.5"	15"	15.5"	16"	16.5"
17"	17.5"	18"	18.5"	19"	19.5"

## Rear Seat Height and Wheels

### Wheel Size / Rear Seat Height

*Select Rear Seat Height in row corresponding to desired Wheel Size. For proper setup, selection is required when omitting rear wheels. Measured from floor to top of seat tube at front of back post. Rear Seat Height is custom to needs. See reference I on page 6*

Wheel Size	Rear Seat Height													
22"	13.5" <sup>1</sup>	14"	14.5"	15"	15.5"	16"	16.5"	17"	17.5"	18"	18.5"	19"	19.5"	20"
24"	14.5" <sup>1</sup>	15"	15.5"	16"	16.5"	17"	17.5"	18"	18.5"	19"	19.5"	20"		
25"	15" <sup>1</sup>	15.5"	16"	16.5"	17"	17.5"	18"	18.5"	19"	19.5"	20"			
26"	15.5" <sup>1</sup>	16"	16.5"	17"	17.5"	18"	18.5"	19"	19.5"	20"				

<sup>1</sup> Available only with Low Profile tires

### Camber Bar Tower

Standard Tower	N/C
Mx Tower	\$100

*Standard Tower allows rear seat height adjustment up or down in 1/4" increments. 1" adjustment available; 1/2" in lowest end of range. Mx Tower required with select low seat heights or when large rear seat height adjustment range is required. Provides 3" adjustment range in 1/4" increments.*

### Spinergy Options

*Select spoke color and handrim tab for Spinergy wheels*

Black Spokes	Yellow Spokes	Red Spokes	
Blue Spokes	White Spokes	Orange Spokes (1)	
Pink Spokes (1)	Green Spokes (1)	Purple Spokes (1)	N/C

<sup>1</sup> Available only with Spinergy LX

### Rear Wheel

		Rear Wheel Size				
		Price	22"	24"	25"	26"
Rear Wheel Type	Spoke	N/C				
	Mag	N/C				
	Maxx Performance Spoke	\$125				
	Spinergy Spox	\$845				
	Spinergy LX	\$1,050				

## Handrim Tab

Available only with Aluminum Anodized and Plastic Coated Handrims

Long Tabs (Standard Mount)	N/C
Short Tabs (Close Mount)	\$25

## Handrim Option

3M Micro Grip	\$65
---------------	------

Not available on Plastic Coated or Projection Handrims

## Handrims

### Standard Handrims

Aluminum Anodized	N/C
Plastic Coated	\$112
Projection (8 Vertical Projections)	\$325

Available only with full profile tires in combination with MAXX Performance or 24" Mag wheel. Not Available with 25" wheels.

### Ergonomic Handrims

Not available on 20" wheels

Standard Regular Grip	\$445
Lite Regular Grip	\$465
Standard Extra Grip	\$495
Lite Extra Grip	\$515
Standard Omit Grip	\$375
Lite Omit Grip	\$395

### Rear Wheel Spacing

Measured from outside of back to inside of rear tire. Adjustable out 1/2" from setting. 1.5" minimum Rear Wheel Spacing with Height Adjustable T-Arm Armrest. 1" minimum Rear Wheel Spacing with 0° Rear Wheel Camber. See reference K on page 6.

0.75"	1"	1.25"	1.5"	1.75"	N/C
-------	----	-------	------	-------	-----

### Rear Wheel Camber

0°	2°	4°	6°	8°	N/C
----	----	----	----	----	-----

## Wheel Locks

Push to Lock	N/C
Push to Lock Flush Mount	N/C
Pull to Lock	N/C
Under Seat Scissor Lock	N/C
Low Profile Scissor Lock	\$65

Not available with Low Poly, Full Poly or Sentinel Solid tires

Short Thro Scissor Lock	\$110
Omit	N/C

## Armrests

Armrest Type	Length	Price
Height Adjustable T-Arm Tall (11.5"-15") E0973 <sup>1</sup>	Desk	\$325
	Full	
Height Adjustable T-Arm (8.5"-13.5") E0973 <sup>1</sup>	Desk	\$325
	Full	
Height Adjustable T-Arm Low (6.5"-10.5") E0973 <sup>1</sup>	Desk	\$325
	Full	

<sup>1</sup> 1.5" minimum Rear Wheel Spacing  
<sup>2</sup> Includes direct mount receiver

## Rear Tire Type

Full Poly 1 3/8" (E2218)	\$55
--------------------------	------

Not available on 25" or 26" wheel sizes

Low Poly 1" (E2218)	N/C
---------------------	-----

Not available on 25" or 26" wheel sizes or 350 lb Weight Capacity

Pneumatic with Airless Insert 1 3/8" (E2211, E2213)	\$85
---	------

Not available on 25" wheel size

Sentinel Solid Tire 1" (E2218)	\$95
--------------------------------	------

Not available on 22" Mag wheel

Street Pneumatic 1 3/8" (E2211, E2212)	N/C
--	-----

Not available on 25" wheel size

High Pressure 1" (E2211, E2212)	\$80
---------------------------------	------

Not available on Mag wheel

Schwalbe Marathon Plus Evolution 1" (E2211, E2212)	\$140
--	-------

Not available on Mag wheel or 22" wheel size

Mountain 2" Black (E2211, E2212)	\$125
----------------------------------	-------

Available only on 22", 24" and 25" MAXX Performance and Spinery wheels

Schwalbe HS-127 1 3/8" (E2211, E2212)	\$125
---------------------------------------	-------

Available only on 24" wheel size. Not available on Mag wheel.

## Axle

Quick Release	N/C
Quad Quick Release	\$185

Not available with Mag or Spinery wheels

## Center of Gravity Presets

Measured from front of back post to center of rear axle. 0" indicates axle will be directly under back post. See reference J on page 6.

Amputee Positions			
-1.5"	-1.25"	-1"	-.75"
-.5"	-.25"	0"	.25"
Standard Positions			
.5"	.75"	1"	1.25"
1.5"	1.75"	2"	2.25"
2.5"	2.75"	3"	3.25"
3.5"	3.75"	4"	4.25"

## Wheel Lock Options

Extension Handles (E0961)	\$77
---------------------------	------

Available only with Push to Lock or Pull to Lock Wheel Locks

Grade Aids (E0974)	\$150
--------------------	-------

Available only with Push to Lock Wheel Locks and Pneumatic or Pneumatic with Airless Insert tires

## Side Guards

*Not available with T-Arms or Swing Away with Side Guard Armrests*

### Direct Mount Side Guards

Composite Side Guards - Direct Mount Receiver (K0108)	\$150
Aluminum Straight - Black Matte (K0108)	\$195
Aluminum Straight - Match Frame Color (K0108)	\$245
Aluminum Adjustable Fender with Foam Pad - Black Matte (K0108)	\$275
<i>Not available with Adjustable Depth greater than 1/2"</i>	
Aluminum Adjustable Fender with Foam Pad - Match Frame Color (K0108)	\$325
<i>Not available with Adjustable Depth greater than 1/2"</i>	
Carbon Fiber Adjustable Fender - Direct Mount Receiver (K0108)	\$485
<i>Not available with Adjustable Depth greater than 1/2"</i>	

### Clamp-On Mount Side Guards

Composite Side Guards - Clamp-On Receiver (K0108)	\$175
Aluminum Straight - Black Matte (K0108)	\$225
Aluminum Straight - Match Frame Color (K0108)	\$275
Aluminum Adjustable Fender with Foam Pad - Black Matte (K0108)	\$305
Aluminum Adjustable Fender w/Foam Pad - Clamp-On Receiver - Match Frame Color (K0108)	\$355
Carbon Fiber Adjustable Fender - Clamp-On Receiver (K0108)	\$515

### Fabric Side Guard

*Not available when omitting Back Upholstery*

Fabric Side Guards	\$95
--------------------	------

## Accessories

### Anti-Tips

Rear Anti-Tips (E0971)	\$150
Omit	N/C

### Pelvic Positioning Belt

1 1/2" Auto Buckle Pelvic Positioning Belt (E0978)	\$80
1 1/2" Padded Auto Buckle Pelvic Positioning Belt (E0978)	\$170
2" Airline Buckle Pelvic Positioning Belt (E0978)	\$110
Small Bodypoint Evoflex (16-24") (E0978)	\$188
Medium Bodypoint Evoflex (19-29") (E0978)	\$188
Large Bodypoint Evoflex (25-37") (E0978)	\$188

### Belt Mounting Kit

Ki Mobility Belt Mounting Clamp	\$35
Bodypoint Belt Mounting Bracket Kit	\$108

### Calf Strap

Velcro Adjustable (K0038)	\$42
Padded Velcro Adjustable (K0038)	\$68
Bodypoint Padded AeroMesh (K0038)	\$118

### Other Accessories

Tool Kit	\$45
Removable Underseat Pouch	\$50
Ki Mobility Backpack	\$65
Luggage Carrier	\$85
Black Neoprene Impact Guards	\$90
Under Chair Carrier and Removable Bag	\$85
<i>Not available with scissor locks</i>	
Clear Spoke Guards (K0065)	\$115
<i>Not available with Mag wheel</i>	
Black Spoke Guards (K0065)	\$115
<i>Not available with 20" wheel size or Mag wheel</i>	
Cane and Crutch Holder	\$195

## Frame Color

### Gloss Finish

Black	N/C
Blue Skies	N/C
Bubblegum Pink	N/C
Candy Blue	N/C
Candy Purple	N/C
Candy Red	N/C
Copper	N/C
Granny Smith	N/C
Metallic Orange	N/C
Silver	N/C
Yellow	N/C

### Matte Finish

Charcoal Gray	N/C
Emerald Green	N/C
Iridescent Burgundy	N/C
Iridescent Navy	N/C
Military Green	N/C
Retro Red	N/C
Royal Blue	N/C
Shadow Black	N/C
Smooth White	N/C

## References

### A. Seat Width *See Diagram 1*

Measured from outside of frame tube on one side to outside of frame tube on other side.

### B. Seat Depth *See Diagram 3*

Measured from front of back posts to front edge of seat sling. Seat sling starts at beginning of bend at front of frame.

### C. Sling Position *See Diagram 2*

In Performance Position (0°), sling is at front of frame to keep chair shorter and more maneuverable. The 1" or 2" seat sling position extends the frame in front of the sling by that amount. Adding more frame can improve stability and provide support to aid in transfers.

### D. Front Frame Bend *See Diagram 3*

Angle between front seat tube and ground.

### E. Footrest Taper *See Diagram 1*

Indicates bend of front frame creating footrest. Taper is measured from outside of seat frame to outside of front tube.

### F. Front Seat Height *See Diagram 1*

Measured from floor to top of seat tube at front of seat sling.

### G. Footrest Width *See Diagram 1*

Measured from inside of front tube to inside of front tube on other side. Footrest width is listed below for each seat width and taper.

Seat Width	Straight	1" Taper	2" Taper
Outside Measurement	2" Narrower than Seat Width	4" Narrower than Seat Width	6" Narrower than Seat Width
14"	11.5"	9.5"	
15"	12.5"	10.5"	
16"	13.5"	11.5"	9.5"
17"	14.5"	12.5"	10.5"
18"	15.5"	13.5"	11.5"
19"	16.5"	14.5"	12.5"
20"	17.5"	15.5"	13.5"
21"	18.5"	16.5"	14.5"
22"	19.5"	17.5"	15.5"

### H. Seat to Footrest Length *See Diagram 3*

Measured from front edge of seat sling to top rear of footrest. Footrest length of at least 2.5" shorter than front seat height recommended.

### I. Rear Seat Height *See Diagram 3*

Measured from floor to top of seat tube at front of back post. Rear seat height is custom to needs.

### J. Center of Gravity Preset *See Diagram 3*

Measured from front of back post to center of rear axle. 0" indicates axle will be directly under back post.

### K. Rear Wheel Spacing *See Diagram 1*

Measured from outside of seat back to inside of rear tire. Adjustable out .5" from setting.

Diagram 1

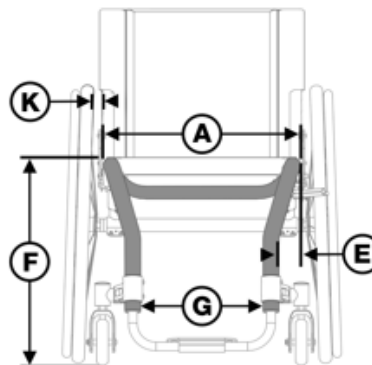


Diagram 2

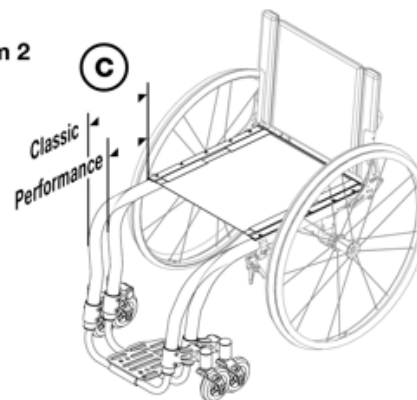
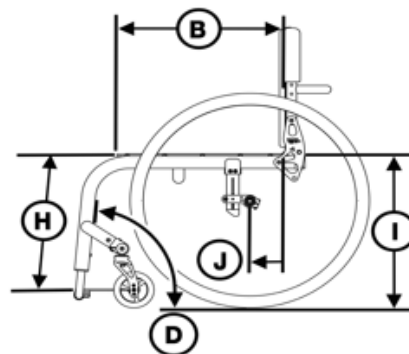


Diagram 3



**Axiom Cushions**

Weight capacity: 350 lbs

**Axiom G Cushion and Extra Outer Cover**

		Width																
		14"		15"		16"		17"		18"		19"		20"		22"		
		Cushion	Outer Cover	Cushion	Outer Cover	Cushion	Outer Cover	Cushion	Outer Cover	Cushion	Outer Cover	Cushion	Outer Cover	Cushion	Outer Cover	Cushion	Outer Cover	
Retail		\$123	\$77	\$123	\$77	\$123	\$77	\$123	\$77	\$123	\$77	\$123	\$77	\$123	\$77	\$204	\$77	
HCPCS		E2601		E2601		E2601		E2601		E2601		E2601		E2601		E2602		
Depth	14"	<input type="checkbox"/>	<input type="checkbox"/>															
	15"	<input type="checkbox"/>	<input type="checkbox"/>	<input type="checkbox"/>	<input type="checkbox"/>	<input type="checkbox"/>	<input type="checkbox"/>											
	16"	<input type="checkbox"/>	<input type="checkbox"/>	<input type="checkbox"/>	<input type="checkbox"/>	<input type="checkbox"/>	<input type="checkbox"/>	<input type="checkbox"/>	<input type="checkbox"/>	<input type="checkbox"/>	<input type="checkbox"/>	<input type="checkbox"/>	<input type="checkbox"/>	<input type="checkbox"/>	<input type="checkbox"/>			
	17"	<input type="checkbox"/>	<input type="checkbox"/>	<input type="checkbox"/>	<input type="checkbox"/>	<input type="checkbox"/>	<input type="checkbox"/>	<input type="checkbox"/>	<input type="checkbox"/>	<input type="checkbox"/>	<input type="checkbox"/>	<input type="checkbox"/>	<input type="checkbox"/>	<input type="checkbox"/>	<input type="checkbox"/>			
	18"	<input type="checkbox"/>	<input type="checkbox"/>	<input type="checkbox"/>	<input type="checkbox"/>	<input type="checkbox"/>	<input type="checkbox"/>	<input type="checkbox"/>	<input type="checkbox"/>	<input type="checkbox"/>	<input type="checkbox"/>	<input type="checkbox"/>	<input type="checkbox"/>	<input type="checkbox"/>	<input type="checkbox"/>	<input type="checkbox"/>	<input type="checkbox"/>	
	19"			<input type="checkbox"/>	<input type="checkbox"/>	<input type="checkbox"/>	<input type="checkbox"/>	<input type="checkbox"/>	<input type="checkbox"/>	<input type="checkbox"/>	<input type="checkbox"/>	<input type="checkbox"/>	<input type="checkbox"/>	<input type="checkbox"/>	<input type="checkbox"/>	<input type="checkbox"/>	<input type="checkbox"/>	<input type="checkbox"/>
	20"			<input type="checkbox"/>	<input type="checkbox"/>	<input type="checkbox"/>	<input type="checkbox"/>	<input type="checkbox"/>	<input type="checkbox"/>	<input type="checkbox"/>	<input type="checkbox"/>	<input type="checkbox"/>	<input type="checkbox"/>	<input type="checkbox"/>	<input type="checkbox"/>	<input type="checkbox"/>	<input type="checkbox"/>	<input type="checkbox"/>
	21"					<input type="checkbox"/>	<input type="checkbox"/>			<input type="checkbox"/>	<input type="checkbox"/>	<input type="checkbox"/>	<input type="checkbox"/>	<input type="checkbox"/>	<input type="checkbox"/>	<input type="checkbox"/>	<input type="checkbox"/>	<input type="checkbox"/>
	22"					<input type="checkbox"/>	<input type="checkbox"/>			<input type="checkbox"/>	<input type="checkbox"/>	<input type="checkbox"/>	<input type="checkbox"/>	<input type="checkbox"/>	<input type="checkbox"/>	<input type="checkbox"/>	<input type="checkbox"/>	<input type="checkbox"/>

**Axiom S Cushion and Extra Outer Cover**

		Width																
		14"		15"		16"		17"		18"		19"		20"		22"		
		Cushion	Outer Cover	Cushion	Outer Cover	Cushion	Outer Cover	Cushion	Outer Cover	Cushion	Outer Cover	Cushion	Outer Cover	Cushion	Outer Cover	Cushion	Outer Cover	
Retail		\$216	\$88	\$216	\$88	\$216	\$88	\$216	\$88	\$216	\$88	\$216	\$88	\$216	\$88	\$323	\$88	
HCPCS		E2603		E2603		E2603		E2603		E2603		E2603		E2603		E2604		
Depth	14"	<input type="checkbox"/>	<input type="checkbox"/>															
	15"	<input type="checkbox"/>	<input type="checkbox"/>	<input type="checkbox"/>	<input type="checkbox"/>	<input type="checkbox"/>	<input type="checkbox"/>											
	16"	<input type="checkbox"/>	<input type="checkbox"/>	<input type="checkbox"/>	<input type="checkbox"/>	<input type="checkbox"/>	<input type="checkbox"/>	<input type="checkbox"/>	<input type="checkbox"/>	<input type="checkbox"/>	<input type="checkbox"/>	<input type="checkbox"/>	<input type="checkbox"/>	<input type="checkbox"/>	<input type="checkbox"/>			
	17"	<input type="checkbox"/>	<input type="checkbox"/>	<input type="checkbox"/>	<input type="checkbox"/>	<input type="checkbox"/>	<input type="checkbox"/>	<input type="checkbox"/>	<input type="checkbox"/>	<input type="checkbox"/>	<input type="checkbox"/>	<input type="checkbox"/>	<input type="checkbox"/>	<input type="checkbox"/>	<input type="checkbox"/>			
	18"	<input type="checkbox"/>	<input type="checkbox"/>	<input type="checkbox"/>	<input type="checkbox"/>	<input type="checkbox"/>	<input type="checkbox"/>	<input type="checkbox"/>	<input type="checkbox"/>	<input type="checkbox"/>	<input type="checkbox"/>	<input type="checkbox"/>	<input type="checkbox"/>	<input type="checkbox"/>	<input type="checkbox"/>	<input type="checkbox"/>	<input type="checkbox"/>	
	19"			<input type="checkbox"/>	<input type="checkbox"/>	<input type="checkbox"/>	<input type="checkbox"/>	<input type="checkbox"/>	<input type="checkbox"/>	<input type="checkbox"/>	<input type="checkbox"/>	<input type="checkbox"/>	<input type="checkbox"/>	<input type="checkbox"/>	<input type="checkbox"/>	<input type="checkbox"/>	<input type="checkbox"/>	<input type="checkbox"/>
	20"			<input type="checkbox"/>	<input type="checkbox"/>	<input type="checkbox"/>	<input type="checkbox"/>	<input type="checkbox"/>	<input type="checkbox"/>	<input type="checkbox"/>	<input type="checkbox"/>	<input type="checkbox"/>	<input type="checkbox"/>	<input type="checkbox"/>	<input type="checkbox"/>	<input type="checkbox"/>	<input type="checkbox"/>	<input type="checkbox"/>
	21"					<input type="checkbox"/>	<input type="checkbox"/>			<input type="checkbox"/>	<input type="checkbox"/>	<input type="checkbox"/>	<input type="checkbox"/>	<input type="checkbox"/>	<input type="checkbox"/>	<input type="checkbox"/>	<input type="checkbox"/>	<input type="checkbox"/>
	22"					<input type="checkbox"/>	<input type="checkbox"/>			<input type="checkbox"/>	<input type="checkbox"/>	<input type="checkbox"/>	<input type="checkbox"/>	<input type="checkbox"/>	<input type="checkbox"/>	<input type="checkbox"/>	<input type="checkbox"/>	<input type="checkbox"/>

**Axiom P Cushion and Extra Outer Cover**

		Width																
		14"		15"		16"		17"		18"		19"		20"		22"		
		Cushion	Outer Cover	Cushion	Outer Cover	Cushion	Outer Cover	Cushion	Outer Cover	Cushion	Outer Cover	Cushion	Outer Cover	Cushion	Outer Cover	Cushion	Outer Cover	
Retail		\$364	\$98	\$364	\$98	\$364	\$98	\$364	\$98	\$364	\$98	\$364	\$98	\$364	\$98	\$472	\$98	
HCPCS		E2605		E2605		E2605		E2605		E2605		E2605		E2605		E2606		
Depth	14"	<input type="checkbox"/>	<input type="checkbox"/>															
	15"	<input type="checkbox"/>	<input type="checkbox"/>	<input type="checkbox"/>	<input type="checkbox"/>	<input type="checkbox"/>	<input type="checkbox"/>											
	16"	<input type="checkbox"/>	<input type="checkbox"/>	<input type="checkbox"/>	<input type="checkbox"/>	<input type="checkbox"/>	<input type="checkbox"/>	<input type="checkbox"/>	<input type="checkbox"/>	<input type="checkbox"/>	<input type="checkbox"/>	<input type="checkbox"/>	<input type="checkbox"/>	<input type="checkbox"/>	<input type="checkbox"/>			
	17"	<input type="checkbox"/>	<input type="checkbox"/>	<input type="checkbox"/>	<input type="checkbox"/>	<input type="checkbox"/>	<input type="checkbox"/>	<input type="checkbox"/>	<input type="checkbox"/>	<input type="checkbox"/>	<input type="checkbox"/>	<input type="checkbox"/>	<input type="checkbox"/>	<input type="checkbox"/>	<input type="checkbox"/>			
	18"	<input type="checkbox"/>	<input type="checkbox"/>	<input type="checkbox"/>	<input type="checkbox"/>	<input type="checkbox"/>	<input type="checkbox"/>	<input type="checkbox"/>	<input type="checkbox"/>	<input type="checkbox"/>	<input type="checkbox"/>	<input type="checkbox"/>	<input type="checkbox"/>	<input type="checkbox"/>	<input type="checkbox"/>	<input type="checkbox"/>	<input type="checkbox"/>	
	19"			<input type="checkbox"/>	<input type="checkbox"/>	<input type="checkbox"/>	<input type="checkbox"/>	<input type="checkbox"/>	<input type="checkbox"/>	<input type="checkbox"/>	<input type="checkbox"/>	<input type="checkbox"/>	<input type="checkbox"/>	<input type="checkbox"/>	<input type="checkbox"/>	<input type="checkbox"/>	<input type="checkbox"/>	<input type="checkbox"/>
	20"			<input type="checkbox"/>	<input type="checkbox"/>	<input type="checkbox"/>	<input type="checkbox"/>	<input type="checkbox"/>	<input type="checkbox"/>	<input type="checkbox"/>	<input type="checkbox"/>	<input type="checkbox"/>	<input type="checkbox"/>	<input type="checkbox"/>	<input type="checkbox"/>	<input type="checkbox"/>	<input type="checkbox"/>	<input type="checkbox"/>
	21"					<input type="checkbox"/>	<input type="checkbox"/>			<input type="checkbox"/>	<input type="checkbox"/>	<input type="checkbox"/>	<input type="checkbox"/>	<input type="checkbox"/>	<input type="checkbox"/>	<input type="checkbox"/>	<input type="checkbox"/>	<input type="checkbox"/>
	22"					<input type="checkbox"/>	<input type="checkbox"/>			<input type="checkbox"/>	<input type="checkbox"/>	<input type="checkbox"/>	<input type="checkbox"/>	<input type="checkbox"/>	<input type="checkbox"/>	<input type="checkbox"/>	<input type="checkbox"/>	<input type="checkbox"/>

**Axiom Cushions** continued

*Weight capacity: 350 lbs*

**Axiom SP Visco Cushion and Extra Inner / Outer Cover**

		Width																	
		14"		15"		16"		17"		18"		19"		20"		21"		22"	
		Cushion	Cover Inner/Outer	Cushion	Cover Inner/Outer	Cushion	Cover Inner/Outer	Cushion	Cover Inner/Outer	Cushion	Cover Inner/Outer	Cushion	Cover Inner/Outer	Cushion	Cover Inner/Outer	Cushion	Cover Inner/Outer	Cushion	Cover Inner/Outer
Retail		\$441	\$108	\$441	\$108	\$441	\$108	\$441	\$108	\$441	\$108	\$441	\$108	\$441	\$108	\$539	\$108	\$539	\$108
HCPCS		E2607		E2607		E2607		E2607		E2607		E2607		E2607		E2607		E2608	
Depth	14"	<input type="checkbox"/>	<input type="checkbox"/>	<input type="checkbox"/>	<input type="checkbox"/>	<input type="checkbox"/>	<input type="checkbox"/>	<input type="checkbox"/>	<input type="checkbox"/>	<input type="checkbox"/>	<input type="checkbox"/>	<input type="checkbox"/>	<input type="checkbox"/>	<input type="checkbox"/>	<input type="checkbox"/>	<input type="checkbox"/>	<input type="checkbox"/>	<input type="checkbox"/>	<input type="checkbox"/>
	15"	<input type="checkbox"/>	<input type="checkbox"/>	<input type="checkbox"/>	<input type="checkbox"/>	<input type="checkbox"/>	<input type="checkbox"/>	<input type="checkbox"/>	<input type="checkbox"/>	<input type="checkbox"/>	<input type="checkbox"/>	<input type="checkbox"/>	<input type="checkbox"/>	<input type="checkbox"/>	<input type="checkbox"/>	<input type="checkbox"/>	<input type="checkbox"/>	<input type="checkbox"/>	<input type="checkbox"/>
	16"	<input type="checkbox"/>	<input type="checkbox"/>	<input type="checkbox"/>	<input type="checkbox"/>	<input type="checkbox"/>	<input type="checkbox"/>	<input type="checkbox"/>	<input type="checkbox"/>	<input type="checkbox"/>	<input type="checkbox"/>	<input type="checkbox"/>	<input type="checkbox"/>	<input type="checkbox"/>	<input type="checkbox"/>	<input type="checkbox"/>	<input type="checkbox"/>	<input type="checkbox"/>	<input type="checkbox"/>
	17"	<input type="checkbox"/>	<input type="checkbox"/>	<input type="checkbox"/>	<input type="checkbox"/>	<input type="checkbox"/>	<input type="checkbox"/>	<input type="checkbox"/>	<input type="checkbox"/>	<input type="checkbox"/>	<input type="checkbox"/>	<input type="checkbox"/>	<input type="checkbox"/>	<input type="checkbox"/>	<input type="checkbox"/>	<input type="checkbox"/>	<input type="checkbox"/>	<input type="checkbox"/>	<input type="checkbox"/>
	18"	<input type="checkbox"/>	<input type="checkbox"/>	<input type="checkbox"/>	<input type="checkbox"/>	<input type="checkbox"/>	<input type="checkbox"/>	<input type="checkbox"/>	<input type="checkbox"/>	<input type="checkbox"/>	<input type="checkbox"/>	<input type="checkbox"/>	<input type="checkbox"/>	<input type="checkbox"/>	<input type="checkbox"/>	<input type="checkbox"/>	<input type="checkbox"/>	<input type="checkbox"/>	<input type="checkbox"/>
	19"	<input type="checkbox"/>	<input type="checkbox"/>	<input type="checkbox"/>	<input type="checkbox"/>	<input type="checkbox"/>	<input type="checkbox"/>	<input type="checkbox"/>	<input type="checkbox"/>	<input type="checkbox"/>	<input type="checkbox"/>	<input type="checkbox"/>	<input type="checkbox"/>	<input type="checkbox"/>	<input type="checkbox"/>	<input type="checkbox"/>	<input type="checkbox"/>	<input type="checkbox"/>	<input type="checkbox"/>
	20"	<input type="checkbox"/>	<input type="checkbox"/>	<input type="checkbox"/>	<input type="checkbox"/>	<input type="checkbox"/>	<input type="checkbox"/>	<input type="checkbox"/>	<input type="checkbox"/>	<input type="checkbox"/>	<input type="checkbox"/>	<input type="checkbox"/>	<input type="checkbox"/>	<input type="checkbox"/>	<input type="checkbox"/>	<input type="checkbox"/>	<input type="checkbox"/>	<input type="checkbox"/>	<input type="checkbox"/>
	21"	<input type="checkbox"/>	<input type="checkbox"/>	<input type="checkbox"/>	<input type="checkbox"/>	<input type="checkbox"/>	<input type="checkbox"/>	<input type="checkbox"/>	<input type="checkbox"/>	<input type="checkbox"/>	<input type="checkbox"/>	<input type="checkbox"/>	<input type="checkbox"/>	<input type="checkbox"/>	<input type="checkbox"/>	<input type="checkbox"/>	<input type="checkbox"/>	<input type="checkbox"/>	<input type="checkbox"/>
	22"	<input type="checkbox"/>	<input type="checkbox"/>	<input type="checkbox"/>	<input type="checkbox"/>	<input type="checkbox"/>	<input type="checkbox"/>	<input type="checkbox"/>	<input type="checkbox"/>	<input type="checkbox"/>	<input type="checkbox"/>	<input type="checkbox"/>	<input type="checkbox"/>	<input type="checkbox"/>	<input type="checkbox"/>	<input type="checkbox"/>	<input type="checkbox"/>	<input type="checkbox"/>	<input type="checkbox"/>

**Axiom SP Fluid Cushion and Extra Inner / Outer Cover**

		Width																	
		14"		15"		16"		17"		18"		19"		20"		21"		22"	
		Cushion	Cover Inner/Outer	Cushion	Cover Inner/Outer	Cushion	Cover Inner/Outer	Cushion	Cover Inner/Outer	Cushion	Cover Inner/Outer	Cushion	Cover Inner/Outer	Cushion	Cover Inner/Outer	Cushion	Cover Inner/Outer	Cushion	Cover Inner/Outer
Retail		\$482	\$108	\$482	\$108	\$482	\$108	\$482	\$108	\$482	\$108	\$482	\$108	\$482	\$108	\$590	\$108	\$590	\$108
HCPCS		E2607		E2607		E2607		E2607		E2607		E2607		E2607		E2607		E2608	
Depth	14"	<input type="checkbox"/>	<input type="checkbox"/>	<input type="checkbox"/>	<input type="checkbox"/>	<input type="checkbox"/>	<input type="checkbox"/>	<input type="checkbox"/>	<input type="checkbox"/>	<input type="checkbox"/>	<input type="checkbox"/>	<input type="checkbox"/>	<input type="checkbox"/>	<input type="checkbox"/>	<input type="checkbox"/>	<input type="checkbox"/>	<input type="checkbox"/>	<input type="checkbox"/>	<input type="checkbox"/>
	15"	<input type="checkbox"/>	<input type="checkbox"/>	<input type="checkbox"/>	<input type="checkbox"/>	<input type="checkbox"/>	<input type="checkbox"/>	<input type="checkbox"/>	<input type="checkbox"/>	<input type="checkbox"/>	<input type="checkbox"/>	<input type="checkbox"/>	<input type="checkbox"/>	<input type="checkbox"/>	<input type="checkbox"/>	<input type="checkbox"/>	<input type="checkbox"/>	<input type="checkbox"/>	<input type="checkbox"/>
	16"	<input type="checkbox"/>	<input type="checkbox"/>	<input type="checkbox"/>	<input type="checkbox"/>	<input type="checkbox"/>	<input type="checkbox"/>	<input type="checkbox"/>	<input type="checkbox"/>	<input type="checkbox"/>	<input type="checkbox"/>	<input type="checkbox"/>	<input type="checkbox"/>	<input type="checkbox"/>	<input type="checkbox"/>	<input type="checkbox"/>	<input type="checkbox"/>	<input type="checkbox"/>	<input type="checkbox"/>
	17"	<input type="checkbox"/>	<input type="checkbox"/>	<input type="checkbox"/>	<input type="checkbox"/>	<input type="checkbox"/>	<input type="checkbox"/>	<input type="checkbox"/>	<input type="checkbox"/>	<input type="checkbox"/>	<input type="checkbox"/>	<input type="checkbox"/>	<input type="checkbox"/>	<input type="checkbox"/>	<input type="checkbox"/>	<input type="checkbox"/>	<input type="checkbox"/>	<input type="checkbox"/>	<input type="checkbox"/>
	18"	<input type="checkbox"/>	<input type="checkbox"/>	<input type="checkbox"/>	<input type="checkbox"/>	<input type="checkbox"/>	<input type="checkbox"/>	<input type="checkbox"/>	<input type="checkbox"/>	<input type="checkbox"/>	<input type="checkbox"/>	<input type="checkbox"/>	<input type="checkbox"/>	<input type="checkbox"/>	<input type="checkbox"/>	<input type="checkbox"/>	<input type="checkbox"/>	<input type="checkbox"/>	<input type="checkbox"/>
	19"	<input type="checkbox"/>	<input type="checkbox"/>	<input type="checkbox"/>	<input type="checkbox"/>	<input type="checkbox"/>	<input type="checkbox"/>	<input type="checkbox"/>	<input type="checkbox"/>	<input type="checkbox"/>	<input type="checkbox"/>	<input type="checkbox"/>	<input type="checkbox"/>	<input type="checkbox"/>	<input type="checkbox"/>	<input type="checkbox"/>	<input type="checkbox"/>	<input type="checkbox"/>	<input type="checkbox"/>
	20"	<input type="checkbox"/>	<input type="checkbox"/>	<input type="checkbox"/>	<input type="checkbox"/>	<input type="checkbox"/>	<input type="checkbox"/>	<input type="checkbox"/>	<input type="checkbox"/>	<input type="checkbox"/>	<input type="checkbox"/>	<input type="checkbox"/>	<input type="checkbox"/>	<input type="checkbox"/>	<input type="checkbox"/>	<input type="checkbox"/>	<input type="checkbox"/>	<input type="checkbox"/>	<input type="checkbox"/>
	21"	<input type="checkbox"/>	<input type="checkbox"/>	<input type="checkbox"/>	<input type="checkbox"/>	<input type="checkbox"/>	<input type="checkbox"/>	<input type="checkbox"/>	<input type="checkbox"/>	<input type="checkbox"/>	<input type="checkbox"/>	<input type="checkbox"/>	<input type="checkbox"/>	<input type="checkbox"/>	<input type="checkbox"/>	<input type="checkbox"/>	<input type="checkbox"/>	<input type="checkbox"/>	<input type="checkbox"/>
	22"	<input type="checkbox"/>	<input type="checkbox"/>	<input type="checkbox"/>	<input type="checkbox"/>	<input type="checkbox"/>	<input type="checkbox"/>	<input type="checkbox"/>	<input type="checkbox"/>	<input type="checkbox"/>	<input type="checkbox"/>	<input type="checkbox"/>	<input type="checkbox"/>	<input type="checkbox"/>	<input type="checkbox"/>	<input type="checkbox"/>	<input type="checkbox"/>	<input type="checkbox"/>	<input type="checkbox"/>

**Solid Seat Insert**

*Select size in chart below. Weight capacity: 350 lbs.*

Solid Seat Insert \_\_\_\_\_ \$62

		Width									
		14"	15"	16"	17"	18"	19"	20"	21"	22"	
Depth	14"	<input type="checkbox"/>	<input type="checkbox"/>	<input type="checkbox"/>							
	15"	<input type="checkbox"/>	<input type="checkbox"/>	<input type="checkbox"/>	<input type="checkbox"/>						
	16"	<input type="checkbox"/>	<input type="checkbox"/>	<input type="checkbox"/>	<input type="checkbox"/>	<input type="checkbox"/>	<input type="checkbox"/>	<input type="checkbox"/>		<input type="checkbox"/>	
	17"	<input type="checkbox"/>	<input type="checkbox"/>	<input type="checkbox"/>	<input type="checkbox"/>	<input type="checkbox"/>	<input type="checkbox"/>	<input type="checkbox"/>		<input type="checkbox"/>	
	18"	<input type="checkbox"/>	<input type="checkbox"/>	<input type="checkbox"/>	<input type="checkbox"/>	<input type="checkbox"/>	<input type="checkbox"/>	<input type="checkbox"/>	<input type="checkbox"/>	<input type="checkbox"/>	
	19"	<input type="checkbox"/>	<input type="checkbox"/>	<input type="checkbox"/>	<input type="checkbox"/>	<input type="checkbox"/>	<input type="checkbox"/>	<input type="checkbox"/>	<input type="checkbox"/>	<input type="checkbox"/>	
	20"	<input type="checkbox"/>	<input type="checkbox"/>	<input type="checkbox"/>	<input type="checkbox"/>	<input type="checkbox"/>	<input type="checkbox"/>	<input type="checkbox"/>	<input type="checkbox"/>	<input type="checkbox"/>	
	21"	<input type="checkbox"/>	<input type="checkbox"/>	<input type="checkbox"/>	<input type="checkbox"/>	<input type="checkbox"/>	<input type="checkbox"/>	<input type="checkbox"/>	<input type="checkbox"/>	<input type="checkbox"/>	
	22"	<input type="checkbox"/>	<input type="checkbox"/>	<input type="checkbox"/>	<input type="checkbox"/>	<input type="checkbox"/>	<input type="checkbox"/>	<input type="checkbox"/>	<input type="checkbox"/>	<input type="checkbox"/>	



### Star Stabil-Air Cushions

#### Star Stabil-Air Cushion (3" Tall Cells) and Extra Standard / Incontinent Cover

		Width																	
		13.5"			15.5"			17.25"			19.25"			21"			22.75"		
		Cushion	Cover		Cushion	Cover		Cushion	Cover		Cushion	Cover		Cushion	Cover		Cushion	Cover	
			Standard	Incontinent		Standard	Incontinent		Standard	Incontinent		Standard	Incontinent		Standard	Incontinent		Standard	Incontinent
Retail		\$549	\$69	\$80	\$549	\$69	\$80	\$549	\$69	\$80	\$549	\$69	\$80	\$549	\$69	\$80	\$675	\$91	\$103
HCPCS	E2622				E2622			E2622			E2622			E2622			E2623		
Depth	13.5"	<input type="checkbox"/>	<input type="checkbox"/>	<input type="checkbox"/>															
	15.5"	<input type="checkbox"/>	<input type="checkbox"/>	<input type="checkbox"/>	<input type="checkbox"/>	<input type="checkbox"/>	<input type="checkbox"/>	<input type="checkbox"/>	<input type="checkbox"/>	<input type="checkbox"/>	<input type="checkbox"/>	<input type="checkbox"/>	<input type="checkbox"/>	<input type="checkbox"/>	<input type="checkbox"/>	<input type="checkbox"/>	<input type="checkbox"/>	<input type="checkbox"/>	<input type="checkbox"/>
	17.25"				<input type="checkbox"/>	<input type="checkbox"/>	<input type="checkbox"/>	<input type="checkbox"/>	<input type="checkbox"/>	<input type="checkbox"/>	<input type="checkbox"/>	<input type="checkbox"/>	<input type="checkbox"/>	<input type="checkbox"/>	<input type="checkbox"/>	<input type="checkbox"/>	<input type="checkbox"/>	<input type="checkbox"/>	<input type="checkbox"/>
	19.25"				<input type="checkbox"/>	<input type="checkbox"/>	<input type="checkbox"/>	<input type="checkbox"/>	<input type="checkbox"/>	<input type="checkbox"/>	<input type="checkbox"/>	<input type="checkbox"/>	<input type="checkbox"/>	<input type="checkbox"/>	<input type="checkbox"/>	<input type="checkbox"/>	<input type="checkbox"/>	<input type="checkbox"/>	<input type="checkbox"/>
	21"							<input type="checkbox"/>	<input type="checkbox"/>	<input type="checkbox"/>	<input type="checkbox"/>	<input type="checkbox"/>	<input type="checkbox"/>	<input type="checkbox"/>	<input type="checkbox"/>	<input type="checkbox"/>			

#### Star Stabil-Air Cushion (4" Tall Cells) and Extra Standard / Incontinent Cover

		Width																	
		13.5"			15.5"			17.25"			19.25"			21"			22.75"		
		Cushion	Cover		Cushion	Cover		Cushion	Cover		Cushion	Cover		Cushion	Cover		Cushion	Cover	
			Standard	Incontinent		Standard	Incontinent		Standard	Incontinent		Standard	Incontinent		Standard	Incontinent		Standard	Incontinent
Retail		\$549	\$69	\$80	\$549	\$69	\$80	\$549	\$69	\$80	\$549	\$69	\$80	\$549	\$69	\$80	\$675	\$91	\$103
HCPCS	E2622				E2622			E2622			E2622			E2622			E2623		
Depth	13.5"	<input type="checkbox"/>	<input type="checkbox"/>	<input type="checkbox"/>															
	15.5"	<input type="checkbox"/>	<input type="checkbox"/>	<input type="checkbox"/>	<input type="checkbox"/>	<input type="checkbox"/>	<input type="checkbox"/>	<input type="checkbox"/>	<input type="checkbox"/>	<input type="checkbox"/>	<input type="checkbox"/>	<input type="checkbox"/>	<input type="checkbox"/>	<input type="checkbox"/>	<input type="checkbox"/>	<input type="checkbox"/>	<input type="checkbox"/>	<input type="checkbox"/>	<input type="checkbox"/>
	17.25"	<input type="checkbox"/>	<input type="checkbox"/>	<input type="checkbox"/>	<input type="checkbox"/>	<input type="checkbox"/>	<input type="checkbox"/>	<input type="checkbox"/>	<input type="checkbox"/>	<input type="checkbox"/>	<input type="checkbox"/>	<input type="checkbox"/>	<input type="checkbox"/>	<input type="checkbox"/>	<input type="checkbox"/>	<input type="checkbox"/>	<input type="checkbox"/>	<input type="checkbox"/>	<input type="checkbox"/>
	19.25"				<input type="checkbox"/>	<input type="checkbox"/>	<input type="checkbox"/>	<input type="checkbox"/>	<input type="checkbox"/>	<input type="checkbox"/>	<input type="checkbox"/>	<input type="checkbox"/>	<input type="checkbox"/>	<input type="checkbox"/>	<input type="checkbox"/>	<input type="checkbox"/>	<input type="checkbox"/>	<input type="checkbox"/>	<input type="checkbox"/>
	21"				<input type="checkbox"/>	<input type="checkbox"/>	<input type="checkbox"/>	<input type="checkbox"/>	<input type="checkbox"/>	<input type="checkbox"/>	<input type="checkbox"/>	<input type="checkbox"/>	<input type="checkbox"/>	<input type="checkbox"/>	<input type="checkbox"/>	<input type="checkbox"/>	<input type="checkbox"/>	<input type="checkbox"/>	<input type="checkbox"/>

### Star Standard Air Cushions

#### Star Standard Air Cushion (2" Tall Cells) and Extra Standard / Incontinent Cover

		Width																	
		13.5"			15.5"			17.25"			19.25"			21"			22.75"		
		Cushion	Cover		Cushion	Cover		Cushion	Cover		Cushion	Cover		Cushion	Cover		Cushion	Cover	
			Standard	Incontinent		Standard	Incontinent		Standard	Incontinent		Standard	Incontinent		Standard	Incontinent		Standard	Incontinent
Retail		\$475	\$69	\$80	\$475	\$69	\$80	\$475	\$69	\$80	\$475	\$69	\$80	\$475	\$69	\$80	\$580	\$91	\$103
HCPCS	E2622				E2622			E2622			E2622			E2622			E2623		
Depth	13.5"	<input type="checkbox"/>	<input type="checkbox"/>	<input type="checkbox"/>															
	15.5"	<input type="checkbox"/>	<input type="checkbox"/>	<input type="checkbox"/>	<input type="checkbox"/>	<input type="checkbox"/>	<input type="checkbox"/>	<input type="checkbox"/>	<input type="checkbox"/>	<input type="checkbox"/>	<input type="checkbox"/>	<input type="checkbox"/>	<input type="checkbox"/>	<input type="checkbox"/>	<input type="checkbox"/>	<input type="checkbox"/>	<input type="checkbox"/>	<input type="checkbox"/>	<input type="checkbox"/>
	17.25"				<input type="checkbox"/>	<input type="checkbox"/>	<input type="checkbox"/>	<input type="checkbox"/>	<input type="checkbox"/>	<input type="checkbox"/>	<input type="checkbox"/>	<input type="checkbox"/>	<input type="checkbox"/>	<input type="checkbox"/>	<input type="checkbox"/>	<input type="checkbox"/>	<input type="checkbox"/>	<input type="checkbox"/>	<input type="checkbox"/>
	19.25"				<input type="checkbox"/>	<input type="checkbox"/>	<input type="checkbox"/>	<input type="checkbox"/>	<input type="checkbox"/>	<input type="checkbox"/>	<input type="checkbox"/>	<input type="checkbox"/>	<input type="checkbox"/>	<input type="checkbox"/>	<input type="checkbox"/>	<input type="checkbox"/>	<input type="checkbox"/>	<input type="checkbox"/>	<input type="checkbox"/>
	21"							<input type="checkbox"/>	<input type="checkbox"/>	<input type="checkbox"/>	<input type="checkbox"/>	<input type="checkbox"/>	<input type="checkbox"/>	<input type="checkbox"/>	<input type="checkbox"/>	<input type="checkbox"/>	<input type="checkbox"/>	<input type="checkbox"/>	<input type="checkbox"/>

#### Star Standard Air Cushion (3" Tall Cells) and Extra Standard / Incontinent Cover

		Width																	
		13.5"			15.5"			17.25"			19.25"			21"					
		Cushion	Cover		Cushion	Cover		Cushion	Cover		Cushion	Cover		Cushion	Cover		Cushion	Cover	
			Standard	Incontinent		Standard	Incontinent		Standard	Incontinent		Standard	Incontinent		Standard	Incontinent		Standard	Incontinent
Retail		\$475	\$69	\$80	\$475	\$69	\$80	\$475	\$69	\$80	\$475	\$69	\$80	\$475	\$69	\$80	\$475	\$69	\$80
HCPCS	E2622				E2622			E2622			E2622			E2622			E2622		
Depth	13.5"																		
	15.5"	<input type="checkbox"/>	<input type="checkbox"/>	<input type="checkbox"/>	<input type="checkbox"/>	<input type="checkbox"/>	<input type="checkbox"/>	<input type="checkbox"/>	<input type="checkbox"/>	<input type="checkbox"/>	<input type="checkbox"/>	<input type="checkbox"/>	<input type="checkbox"/>	<input type="checkbox"/>	<input type="checkbox"/>	<input type="checkbox"/>	<input type="checkbox"/>	<input type="checkbox"/>	<input type="checkbox"/>
	17.25"				<input type="checkbox"/>	<input type="checkbox"/>	<input type="checkbox"/>	<input type="checkbox"/>	<input type="checkbox"/>	<input type="checkbox"/>	<input type="checkbox"/>	<input type="checkbox"/>	<input type="checkbox"/>	<input type="checkbox"/>	<input type="checkbox"/>	<input type="checkbox"/>	<input type="checkbox"/>	<input type="checkbox"/>	<input type="checkbox"/>
	19.25"				<input type="checkbox"/>	<input type="checkbox"/>	<input type="checkbox"/>	<input type="checkbox"/>	<input type="checkbox"/>	<input type="checkbox"/>	<input type="checkbox"/>	<input type="checkbox"/>	<input type="checkbox"/>	<input type="checkbox"/>	<input type="checkbox"/>	<input type="checkbox"/>	<input type="checkbox"/>	<input type="checkbox"/>	<input type="checkbox"/>
	21"							<input type="checkbox"/>	<input type="checkbox"/>	<input type="checkbox"/>	<input type="checkbox"/>	<input type="checkbox"/>	<input type="checkbox"/>	<input type="checkbox"/>	<input type="checkbox"/>	<input type="checkbox"/>	<input type="checkbox"/>	<input type="checkbox"/>	<input type="checkbox"/>

**Star Standard Air Cushions** continued

**Star Standard Air Cushion (4" Tall Cells) and Extra Standard / Incontinent Cover**

		Width																	
		13.5"			15.5"			17.25"			19.25"			21"			22.75"		
		Cushion	Cover		Cushion	Cover		Cushion	Cover		Cushion	Cover		Cushion	Cover		Cushion	Cover	
Standard	Incontinent		Standard	Incontinent		Standard	Incontinent		Standard	Incontinent		Standard	Incontinent		Standard	Incontinent			
Retail	\$475	\$69	\$80	\$475	\$69	\$80	\$475	\$69	\$80	\$475	\$69	\$80	\$475	\$69	\$80	\$580	\$91	\$103	
HCPCS	E2622			E2622			E2622			E2622			E2622			E2623			
Depth	13.5"	<input type="checkbox"/>	<input type="checkbox"/>	<input type="checkbox"/>	<input type="checkbox"/>	<input type="checkbox"/>	<input type="checkbox"/>	<input type="checkbox"/>	<input type="checkbox"/>										
	15.5"	<input type="checkbox"/>	<input type="checkbox"/>	<input type="checkbox"/>	<input type="checkbox"/>	<input type="checkbox"/>	<input type="checkbox"/>	<input type="checkbox"/>	<input type="checkbox"/>	<input type="checkbox"/>	<input type="checkbox"/>	<input type="checkbox"/>	<input type="checkbox"/>	<input type="checkbox"/>	<input type="checkbox"/>				
	17.25"				<input type="checkbox"/>	<input type="checkbox"/>	<input type="checkbox"/>	<input type="checkbox"/>	<input type="checkbox"/>	<input type="checkbox"/>	<input type="checkbox"/>	<input type="checkbox"/>	<input type="checkbox"/>	<input type="checkbox"/>	<input type="checkbox"/>	<input type="checkbox"/>	<input type="checkbox"/>	<input type="checkbox"/>	
	19.25"				<input type="checkbox"/>	<input type="checkbox"/>	<input type="checkbox"/>	<input type="checkbox"/>	<input type="checkbox"/>	<input type="checkbox"/>	<input type="checkbox"/>	<input type="checkbox"/>	<input type="checkbox"/>	<input type="checkbox"/>	<input type="checkbox"/>	<input type="checkbox"/>	<input type="checkbox"/>	<input type="checkbox"/>	
	21"							<input type="checkbox"/>	<input type="checkbox"/>	<input type="checkbox"/>	<input type="checkbox"/>	<input type="checkbox"/>	<input type="checkbox"/>	<input type="checkbox"/>	<input type="checkbox"/>	<input type="checkbox"/>	<input type="checkbox"/>	<input type="checkbox"/>	

**Star Standard Air Cushions Dual Valve**

**Star Standard Air Cushion Dual Valve (4" Tall Cells) and Extra Standard / Incontinent Cover**

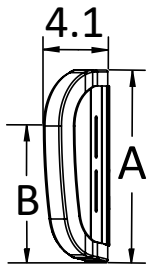
		Width														
		13.5"			15.5"			17.25"			19.25"			21"		
		Cushion	Cover		Cushion	Cover		Cushion	Cover		Cushion	Cover		Cushion	Cover	
Standard	Incontinent		Standard	Incontinent		Standard	Incontinent		Standard	Incontinent		Standard	Incontinent			
Retail	\$475	\$69	\$80	\$475	\$69	\$80	\$475	\$69	\$80	\$475	\$69	\$80	\$475	\$69	\$80	
HCPCS	E2624			E2624			E2624			E2624			E2624			
Depth	13.5"	<input type="checkbox"/>	<input type="checkbox"/>	<input type="checkbox"/>												
	15.5"	<input type="checkbox"/>	<input type="checkbox"/>	<input type="checkbox"/>	<input type="checkbox"/>	<input type="checkbox"/>	<input type="checkbox"/>	<input type="checkbox"/>	<input type="checkbox"/>	<input type="checkbox"/>	<input type="checkbox"/>	<input type="checkbox"/>				
	17.25"				<input type="checkbox"/>	<input type="checkbox"/>	<input type="checkbox"/>	<input type="checkbox"/>	<input type="checkbox"/>	<input type="checkbox"/>	<input type="checkbox"/>	<input type="checkbox"/>	<input type="checkbox"/>	<input type="checkbox"/>	<input type="checkbox"/>	
	19.25"							<input type="checkbox"/>	<input type="checkbox"/>	<input type="checkbox"/>	<input type="checkbox"/>	<input type="checkbox"/>	<input type="checkbox"/>	<input type="checkbox"/>	<input type="checkbox"/>	
	21"									<input type="checkbox"/>	<input type="checkbox"/>	<input type="checkbox"/>	<input type="checkbox"/>	<input type="checkbox"/>	<input type="checkbox"/>	

## Axiom Back

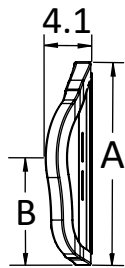
Select back that is the same or up to 2" narrower than the width of the frame. Hardware is included with back. Low Back selections are not available with headrests, modifications, or posture supports. Weight capacity: 300 lbs.

### Axiom Posterior Back (PB)

		Width						
		12"	14"	16"	18"	20"	22"	
Retail		\$574	\$574	\$574	\$574	\$574	\$815	
HCPC		E2613	E2613	E2613	E2613	E2613	E2614	
Height	Low	8"	<input type="checkbox"/> AXPB1208	<input type="checkbox"/> AXPB1408	<input type="checkbox"/> AXPB1608	<input type="checkbox"/> AXPB1808	<input type="checkbox"/> AXPB2008	
		10"		<input type="checkbox"/> AXPB1410	<input type="checkbox"/> AXPB1610	<input type="checkbox"/> AXPB1810	<input type="checkbox"/> AXPB2010	<input type="checkbox"/> AXPB2210
		12"	<input type="checkbox"/> AXPB1212	<input type="checkbox"/> AXPB1412	<input type="checkbox"/> AXPB1612	<input type="checkbox"/> AXPB1812	<input type="checkbox"/> AXPB2012	
	Mid	14"		<input type="checkbox"/> AXPB1414	<input type="checkbox"/> AXPB1614	<input type="checkbox"/> AXPB1814	<input type="checkbox"/> AXPB2014	<input type="checkbox"/> AXPB2214
		16"	<input type="checkbox"/> AXPB1216	<input type="checkbox"/> AXPB1416	<input type="checkbox"/> AXPB1616	<input type="checkbox"/> AXPB1816	<input type="checkbox"/> AXPB2016	
		18"		<input type="checkbox"/> AXPB1418	<input type="checkbox"/> AXPB1618	<input type="checkbox"/> AXPB1818	<input type="checkbox"/> AXPB2018	<input type="checkbox"/> AXPB2218



Axiom Posterior Back - Low

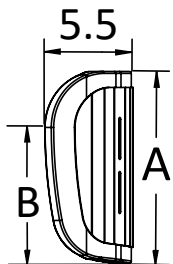


Axiom Posterior Back - Mid

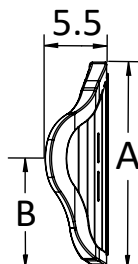
Axiom Posterior Back Measurement Reference					
		Back Height	A	B	Shell Contour Depth
Height	Low	8"	10"	6.5"	2.25"
		10"	12"	8.5"	
		12"	14"	10.5"	
	Mid	14"	16"	8.5"	
		16"	18"	9.5"	
		18"	20"	10.5"	

### Axiom Posterior Lateral Back (PL)

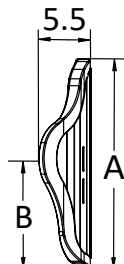
		Width						
		12"	14"	16"	18"	20"	22"	
Retail		\$656	\$656	\$656	\$656	\$656	\$892	
HCPC		E2615	E2615	E2615	E2615	E2615	E2616	
Height	Low	8"	<input type="checkbox"/> AXPL1208	<input type="checkbox"/> AXPL1408	<input type="checkbox"/> AXPL1608	<input type="checkbox"/> AXPL1808	<input type="checkbox"/> AXPL2008	
		10"		<input type="checkbox"/> AXPL1410	<input type="checkbox"/> AXPL1610	<input type="checkbox"/> AXPL1810	<input type="checkbox"/> AXPL2010	<input type="checkbox"/> AXPL2210
		12"	<input type="checkbox"/> AXPL1212	<input type="checkbox"/> AXPL1412	<input type="checkbox"/> AXPL1612	<input type="checkbox"/> AXPL1812	<input type="checkbox"/> AXPL2012	
	Mid	14"		<input type="checkbox"/> AXPL1414	<input type="checkbox"/> AXPL1614	<input type="checkbox"/> AXPL1814	<input type="checkbox"/> AXPL2014	<input type="checkbox"/> AXPL2214
		16"	<input type="checkbox"/> AXPL1216	<input type="checkbox"/> AXPL1416	<input type="checkbox"/> AXPL1616	<input type="checkbox"/> AXPL1816	<input type="checkbox"/> AXPL2016	
		18"		<input type="checkbox"/> AXPL1418	<input type="checkbox"/> AXPL1618	<input type="checkbox"/> AXPL1818	<input type="checkbox"/> AXPL2018	<input type="checkbox"/> AXPL2218
	Tall	20"	<input type="checkbox"/> AXPL1220	<input type="checkbox"/> AXPL1420	<input type="checkbox"/> AXPL1620	<input type="checkbox"/> AXPL1820	<input type="checkbox"/> AXPL2020	
		22"		<input type="checkbox"/> AXPL1422	<input type="checkbox"/> AXPL1622	<input type="checkbox"/> AXPL1822	<input type="checkbox"/> AXPL2022	<input type="checkbox"/> AXPL2222



Axiom Posterior Lateral Back - Low



Axiom Posterior Lateral Back - Mid



Axiom Posterior Lateral Back - Tall

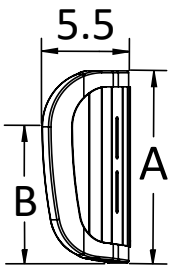
Axiom Posterior Lateral Back Measurement Reference					
		Back Height	A	B	Shell Contour Depth
Height	Low	8"	10"	6.5"	3.65"
		10"	12"	8.5"	
		12"	14"	10.5"	
	Mid	14"	16"	8.5"	
		16"	18"	9.5"	
		18"	20"	10.5"	
	Tall	20"	22"	11.5"	
		22"	24"	12.5"	

**Axiom Back continued**

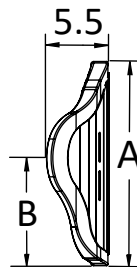
Select back that is the same or up to 2" narrower than the width of the frame. Hardware is included with back. Low Back selections are not available with headrests, modifications, or posture supports. Weight capacity: 300 lbs.

**Axiom Lateral Back (LB)**

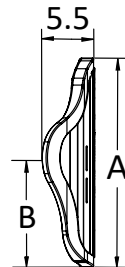
		Width						
		12"	14"	16"	18"	20"	22"	
Retail		\$759	\$759	\$759	\$759	\$759	\$841	
HCPC		E2620	E2620	E2620	E2620	E2620	E2621	
Height	Low	8"	<input type="checkbox"/> AXLB1208	<input type="checkbox"/> AXLB1408	<input type="checkbox"/> AXLB1608	<input type="checkbox"/> AXLB1808	<input type="checkbox"/> AXLB2008	
		10"		<input type="checkbox"/> AXLB1410	<input type="checkbox"/> AXLB1610	<input type="checkbox"/> AXLB1810	<input type="checkbox"/> AXLB2010	<input type="checkbox"/> AXLB2210
		12"	<input type="checkbox"/> AXLB1212	<input type="checkbox"/> AXLB1412	<input type="checkbox"/> AXLB1612	<input type="checkbox"/> AXLB1812	<input type="checkbox"/> AXLB2012	
	Mid	14"		<input type="checkbox"/> AXLB1414	<input type="checkbox"/> AXLB1614	<input type="checkbox"/> AXLB1814	<input type="checkbox"/> AXLB2014	<input type="checkbox"/> AXLB2214
		16"	<input type="checkbox"/> AXLB1216	<input type="checkbox"/> AXLB1416	<input type="checkbox"/> AXLB1616	<input type="checkbox"/> AXLB1816	<input type="checkbox"/> AXLB2016	
		18"		<input type="checkbox"/> AXLB1418	<input type="checkbox"/> AXLB1618	<input type="checkbox"/> AXLB1818	<input type="checkbox"/> AXLB2018	<input type="checkbox"/> AXLB2218
	Tall	20"	<input type="checkbox"/> AXLB1220	<input type="checkbox"/> AXLB1420	<input type="checkbox"/> AXLB1620	<input type="checkbox"/> AXLB1820	<input type="checkbox"/> AXLB2020	
		22"		<input type="checkbox"/> AXLB1422	<input type="checkbox"/> AXLB1622	<input type="checkbox"/> AXLB1822	<input type="checkbox"/> AXLB2022	<input type="checkbox"/> AXLB2222



Axiom Lateral Back - Low



Axiom Lateral Back - Mid

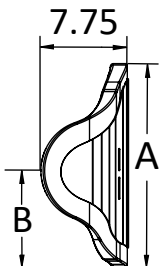


Axiom Lateral Back - Tall

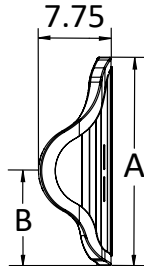
Axiom Lateral Back Measurement Reference					
		Back Height	A	B	Shell Contour Depth
Height	Low	8"	10"	6.5"	3.65"
		10"	12"	8.5"	
		12"	14"	10.5"	
	Mid	14"	16"	8.5"	
		16"	18"	9.5"	
		18"	20"	10.5"	
	Tall	20"	22"	11.5"	
		22"	24"	12.5"	

**Axiom Deep Lateral Back (DL)**

		Width						
		12"	14"	16"	18"	20"	22"	
Retail		\$759	\$759	\$759	\$759	\$759	\$841	
HCPC		E2620	E2620	E2620	E2620	E2620	E2621	
Height	Mid	14"	<input type="checkbox"/> AXDL1214	<input type="checkbox"/> AXDL1414	<input type="checkbox"/> AXDL1614	<input type="checkbox"/> AXDL1814	<input type="checkbox"/> AXDL2014	<input type="checkbox"/> AXDL2214
		16"		<input type="checkbox"/> AXDL1416	<input type="checkbox"/> AXDL1616	<input type="checkbox"/> AXDL1816	<input type="checkbox"/> AXDL2016	
		18"	<input type="checkbox"/> AXDL1218	<input type="checkbox"/> AXDL1418	<input type="checkbox"/> AXDL1618	<input type="checkbox"/> AXDL1818	<input type="checkbox"/> AXDL2018	<input type="checkbox"/> AXDL2218
	Tall	20"	<input type="checkbox"/> AXDL1220	<input type="checkbox"/> AXDL1420	<input type="checkbox"/> AXDL1620	<input type="checkbox"/> AXDL1820	<input type="checkbox"/> AXDL2020	
		22"		<input type="checkbox"/> AXDL1422	<input type="checkbox"/> AXDL1622	<input type="checkbox"/> AXDL1822	<input type="checkbox"/> AXDL2022	<input type="checkbox"/> AXDL2222



Axiom Deep Lateral Back - Mid



Axiom Deep Lateral Back - Tall

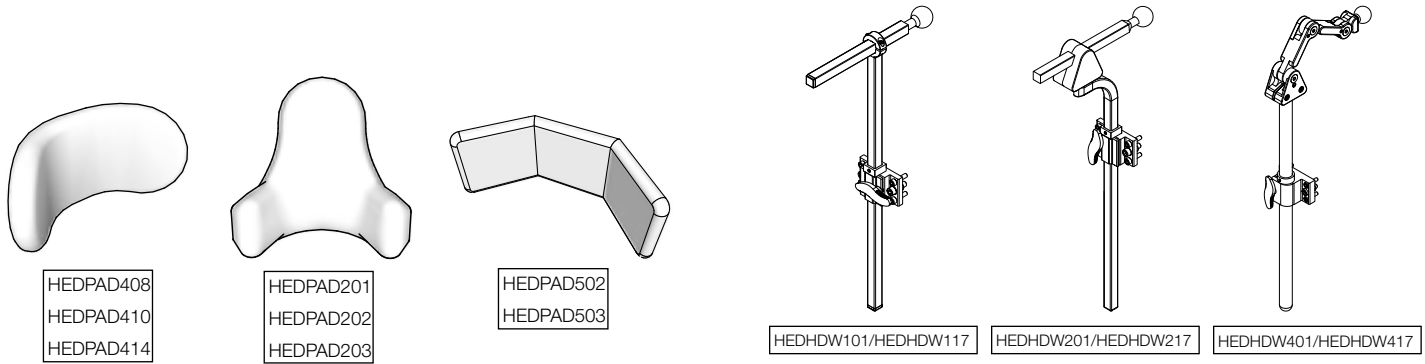
Axiom Deep Lateral Back Measurement Reference										
		Back Height	A	B <sup>1</sup>					Shell Contour Depth	
				12"	14"	16"	18"	20"	22"	
Height	Mid	14"	16"	8.25"	8.25"	8.25"	8.25"	8.25"	8.25"	6"
		16"	18"	9.25"	9.25"	9.25"	9.25"	9.25"	9.25"	
		18"	20"	10.25"	10.25"	10.25"	10.25"	10.25"	10.25"	
	Tall	20"	22"	9.5"	9.75"	10"	10.25"	10.25"	10.5"	
		22"	24"	10.75"	11"	11.25"	11.5"	11.5"	11.75"	

<sup>1</sup> Measurement based on back width

## Axiom Back Accessories

### Headrest and Hardware

Choose headrest and hardware combination in chart below. Not available with Low Backs.



				Hardware					
				Standard Straight Back Mount Hardware with Ball		Multi Axis Removable Hardware with Horizontal Bar		Headrest Hardware with Ball	
				HEDHDW101 / HEDHDW117		HEDHDW201 / HEDHDW217		HEDHDW401 / HEDHDW417	
	Description	Item Code	HCPC	Kio Code	Retail	Kio Code	Retail	Kio Code	Retail
<b>Headrest Pad</b>	Comfort Plus Headrest 8"	<b>HEDPAD408</b>	E0955 E1028	<input type="checkbox"/> HDR001	\$284	<input type="checkbox"/> HDR009	\$321	<input type="checkbox"/> HDR017	\$398
	Comfort Plus Headrest 10"	<b>HEDPAD410</b>	E0955 E1028	<input type="checkbox"/> HDR002	\$284	<input type="checkbox"/> HDR010	\$321	<input type="checkbox"/> HDR018	\$398
	Comfort Plus Headrest 14"	<b>HEDPAD414</b>	E0955 E1028	<input type="checkbox"/> HDR003	\$284	<input type="checkbox"/> HDR011	\$321	<input type="checkbox"/> HDR019	\$398
	Small All Positioning Headrest Pad and Ring Only	<b>HEDPAD201</b>	E0955 E1028	<input type="checkbox"/> HDR004	\$284	<input type="checkbox"/> HDR012	\$321	<input type="checkbox"/> HDR020	\$398
	Medium All Positioning Headrest Pad and Ring Only	<b>HEDPAD202</b>	E0955 E1028	<input type="checkbox"/> HDR005	\$284	<input type="checkbox"/> HDR013	\$321	<input type="checkbox"/> HDR021	\$398
	Large All Positioning Headrest Pad and Ring Only	<b>HEDPAD203</b>	E0955 E1028	<input type="checkbox"/> HDR006	\$284	<input type="checkbox"/> HDR014	\$321	<input type="checkbox"/> HDR022	\$398
	Tri-Comfort Plus Headrest 14"	<b>HEDPAD502</b>	E0955 E1028	<input type="checkbox"/> HDR007	\$296	<input type="checkbox"/> HDR015	\$333	<input type="checkbox"/> HDR023	\$409
	Tri-Comfort Plus Headrest 19"	<b>HEDPAD503</b>	E0955 E1028	<input type="checkbox"/> HDR008	\$296	<input type="checkbox"/> HDR016	\$333	<input type="checkbox"/> HDR024	\$409

### Headrest Hardware Options

	Description	Item Code	HCPC	Retail (Each)
<input type="checkbox"/>	Headrest Flip Down Mount <i>Only Available with HEDHDW401/HEDHDW417</i>	HDR100	E1028	\$175
<input type="checkbox"/>	Universal Mounting Plate <i>For use with other manufacturer headrests</i>	UMP	K0108	\$41

## Axiom Back Accessories continued

### Lateral Support

Laterals for Posterior Back					Item Code	HCPC	Pair	Each
Pair	Left	Right	Description					
<input type="checkbox"/>	<input type="checkbox"/>	<input type="checkbox"/>	3 x 4 Lateral Pads with Fixed Mounting Hardware for Axiom Posterior Back	LF3x4P	E0956	\$313	\$157	
<input type="checkbox"/>	<input type="checkbox"/>	<input type="checkbox"/>	4 x 5 Lateral Pads with Fixed Mounting Hardware for Axiom Posterior Back	LF4x5P	E0956	\$313	\$157	
<input type="checkbox"/>	<input type="checkbox"/>	<input type="checkbox"/>	3 x 4 Lateral Pads with Swing Away Mounting Hardware for Axiom Posterior Back	LS3x4P	E0956, E1028	\$667	\$334	
<input type="checkbox"/>	<input type="checkbox"/>	<input type="checkbox"/>	4 x 5 Lateral Pads with Swing Away Mounting Hardware for Axiom Posterior Back	LS4x5P	E0956, E1028	\$667	\$334	

### Laterals for Posterior Lateral Back

Pair	Left	Right	Description	Item Code	HCPC	Pair	Each
<input type="checkbox"/>	<input type="checkbox"/>	<input type="checkbox"/>	3 x 4 Lateral Pads with Fixed Mounting Hardware for Axiom Posterior Lateral Back	LF3x4L	E0956	\$313	\$157
<input type="checkbox"/>	<input type="checkbox"/>	<input type="checkbox"/>	4 x 5 Lateral Pads with Fixed Mounting Hardware for Axiom Posterior Lateral Back	LF4x5L	E0956	\$313	\$157
<input type="checkbox"/>	<input type="checkbox"/>	<input type="checkbox"/>	3 x 4 Lateral Pads with Swing Away Mounting Hardware for Axiom Posterior Lateral Back	LS3x4L	E0956, E1028	\$667	\$334
<input type="checkbox"/>	<input type="checkbox"/>	<input type="checkbox"/>	4 x 5 Lateral Pads with Swing Away Mounting Hardware for Axiom Posterior Lateral Back	LS4x5L	E0956, E1028	\$667	\$334

### Axiom Lateral Support Modifications

*Extended lead times will apply. Modified Lateral Supports are not eligible for refund.*

	Description	Item Code	HCPC	Retail
<input type="checkbox"/>	Modification for Chest Strap attached to Lateral Supports	AXMLATMT	K0108	N/C

### Lumbar Pads

*Available only with Axiom Lateral Back and Axiom Deep Lateral back*

	Description	HCPC	Retail
<input type="checkbox"/>	Lumbar Pad	K0108	\$50

### Privacy Flap

	Description	HCPC	Retail
<input type="checkbox"/>	Privacy Flap	K0108	\$47

### Shoulder Guides

	Description	Item Code	HCPC	Retail
<input type="checkbox"/>	Shoulder Strap Guides and Mount <i>Selection of a modification from the Axiom Back Modifications required in order to mount Shoulder Guides. Not available with Low Backs.</i>	AXBSG	K0108	\$77

## Axiom Back Accessories continued

### Posture Support

*Selection of a modification from the Axiom Back Modifications section required in order to mount posture supports. Not available with Low Backs.*

	Description	Item Code	HCPC	Retail
<input type="checkbox"/>	Dynaform Chest Support: 2-Piece with Hook & Loop, 3" High Pad, Small	ATRP2P14941	E0960	\$121
<input type="checkbox"/>	Dynaform Chest Support: 2-Piece with Hook & Loop, 4" High Pad, Medium	ATRP2P14942	E0960	\$121
<input type="checkbox"/>	Dynaform Chest Support: 2-Piece with Hook & Loop, 5" High Pad, Large	ATRP2P14943	E0960	\$121
<input type="checkbox"/>	Dynaform Chest Support: 1-Piece with Buckle, 3" Height x 18" Width, Small	ATRD2P14924	E0960	\$100
<input type="checkbox"/>	Dynaform Chest Support: 1-Piece with Buckle, 4" Height x 20" Width, Medium	ATRD2P14927	E0960	\$100
<input type="checkbox"/>	Dynaform Chest Support: 1-Piece with Buckle, 4" Height x 22" Width, Large	ATRD2P14928	E0960	\$100
<input type="checkbox"/>	AirLogic Anterior Trunk Support: Standard, Structure, Small	ATRP4P14282	E0960	\$164.17
<input type="checkbox"/>	AirLogic Anterior Trunk Support: Standard, Structure, Medium	ATRP4P14283	E0960	\$164.17
<input type="checkbox"/>	AirLogic Anterior Trunk Support: Standard, Structure, Large	ATRP4P14284	E0960	\$164.17
<input type="checkbox"/>	AirLogic Anterior Trunk Support: Standard, Structure, X-Large	ATRP4P14285	E0960	\$164.17
<input type="checkbox"/>	AirLogic Anterior Trunk Support: Slim Cut, Dynamic, Small	ATRD4P14257	E0960	\$164.17
<input type="checkbox"/>	AirLogic Anterior Trunk Support: Slim Cut, Dynamic, Medium	ATRD4P14258	E0960	\$164.17
<input type="checkbox"/>	AirLogic Anterior Trunk Support: Slim Cut, Dynamic, Large	ATRD4P14259	E0960	\$164.17
<input type="checkbox"/>	AirLogic Anterior Trunk Support: Slim Cut, Dynamic, X-Large	ATRD4P14260	E0960	\$164.17

## Axiom Back Modifications

*Extended lead times will apply for all modifications. Makes back non-refundable.*

### Axiom Back Modifications

*Choose modification to add holes to the back shell in order to mount posture supports. Not available with Low Backs.*

	Description	Item Code	HCPC	Retail
<input type="checkbox"/>	Modification for 4 Point Harness	AXM4PT	K0108	N/C
<input type="checkbox"/>	Modification for 2 Point Chest Strap	AXM2PT	K0108	N/C
<input type="checkbox"/>	Modification for Shoulder Guides	AXMSG	K0108	N/C

### Painted Back Shell Modification

*If no selection is made, standard Shadow Black will be used with no additional lead time*

	Gloss Finish	Item Code	Retail
<input type="checkbox"/>	Black	AXMBLK	N/C
<input type="checkbox"/>	Blue Skies	AXMSKY	N/C
<input type="checkbox"/>	Bubblegum Pink	AXMPNK	N/C
<input type="checkbox"/>	Candy Blue	AXMCBL	N/C
<input type="checkbox"/>	Candy Purple	AXMPUR	N/C
<input type="checkbox"/>	Candy Red	AXMRED	N/C
<input type="checkbox"/>	Copper	AXMCOP	N/C
<input type="checkbox"/>	Granny Smith	AXMGSM	N/C
<input type="checkbox"/>	Metallic Orange	AXMMOR	N/C
<input type="checkbox"/>	Silver	AXMSIL	N/C
<input type="checkbox"/>	Teal	AXMTEA	N/C
<input type="checkbox"/>	Yellow	AXMYLW	N/C

	Matte Finish	Item Code	Retail
<input type="checkbox"/>	Charcoal Gray	AXMCGM	N/C
<input type="checkbox"/>	Emerald Green	AXMEGM	N/C
<input type="checkbox"/>	Iridescent Burgundy	AXMIBM	N/C
<input type="checkbox"/>	Iridescent Navy	AXMINM	N/C
<input type="checkbox"/>	Military Green	AXMAGM	N/C
<input type="checkbox"/>	Retro Red	AXMRRM	N/C
<input type="checkbox"/>	Royal Blue	AXMRBM	N/C
<input type="checkbox"/>	Smooth White	AXMSWM	N/C