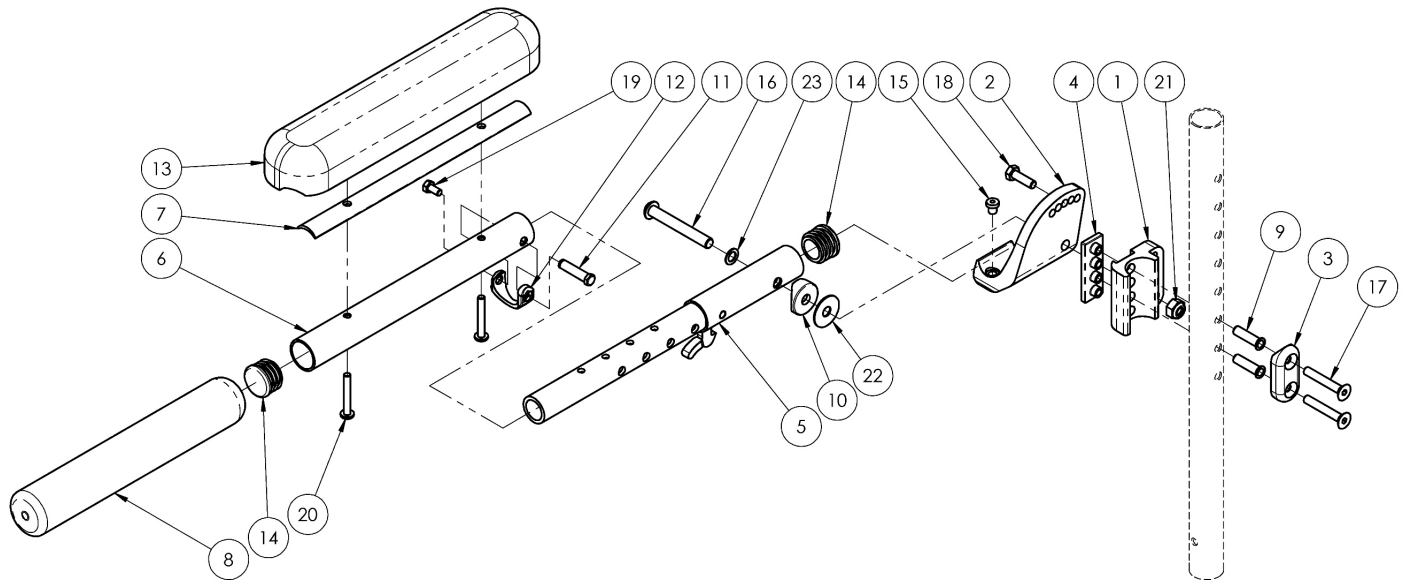


# Adult Angle Adjustable Locking Extendable Flip Up Armrest



Adult Angle Adjustable Locking Flip Up Armrest is used on all Catalyst, Rogue XP, Liberty FT and Focus chairs. Armrest effective 12/22/16 starting with serial numbers C5042365, C5HD003085, FCR0018117, FCHD002227, RGXP005413, and RGX0020821. Changing from foam grip to arm pad new #6 needed

Item Number	Part Number	Description	Quantity
1-5, 6a, 7a, 9-12, 13b, 14-23	504315	Adult Angle Adjustable Locking Flip Up Armrest Assembly Desk Pad w/ Mounting Hardware, PAIR	1
1a, 2a, 3-5, 6a, 7a, 9-12, 13b, 14-23	504313	Adult Angle Adjustable Locking Flip Up Armrest Assembly Desk Pad w/ Mounting Hardware, Right	1
1b, 2b, 3-5, 6a, 7a, 9-12, 13b, 14-23	504314	Adult Angle Adjustable Locking Flip Up Armrest Assembly Desk Pad w/ Mounting Hardware, Left	1
1-5, 6b, 7b, 9-12, 13a, 14-23	504318	Adult Angle Adjustable Locking Flip Up Armrest Assembly Full Pad w/ Mounting Hardware, PAIR	1
1a, 2a, 3-5, 6b, 7b, 9-12, 13a, 14-23	504316	Adult Angle Adjustable Locking Flip Up Armrest Assembly Full Pad w/ Mounting Hardware, Right	1
1b, 2b, 3-5, 6b, 7b, 9-12, 13a, 14-23	504317	Adult Angle Adjustable Locking Flip Up Armrest Assembly Full Pad w/ Mounting Hardware, Left	1
1-5, 6a, 8a, 9-12, 14-19, 21-23	504321	Adult Angle Adjustable Locking Flip Up Armrest Assembly Desk Foam Grip w/ Mounting Hardware, PAIR	1
1a, 2a, 3-5, 6a, 8a, 9-12, 14-19, 21-23	504319	Adult Angle Adjustable Locking Flip Up Armrest Assembly Desk Foam Grip w/ Mounting Hardware, Right	1
1b, 2b, 3-5, 6a, 8a, 9-12, 14-19, 21-23	504320	Adult Angle Adjustable Locking Flip Up Armrest Assembly Desk Foam Grip w/ Mounting Hardware, Left	1

Item Number	Part Number	Description	Quantity
1-5, 6b, 8b, 9-12, 14-19, 21-23	504324	Adult Angle Adjustable Locking Flip Up Armrest Assembly Full Foam Grip w/ Mounting Hardware, PAIR	1
1a, 2a, 3-5, 6b, 8b, 9-12, 14-19, 21-23	504322	Adult Angle Adjustable Locking Flip Up Armrest Assembly Full Foam Grip w/ Mounting Hardware, Right	1
1b, 2b, 3-5, 6b, 8b, 9-12, 14-19, 21-23	504323	Adult Angle Adjustable Locking Flip Up Armrest Assembly Full Foam Grip w/ Mounting Hardware, Left	1
5, 6a, 7a, 10-12, 13b, 14, 16, 19, 20, 22, 23	506104	Adult Angle Adjustable Locking Flip Up Armrest Assembly Desk Pad, PAIR	1
5, 6a, 7a, 10-12, 13b, 14, 16, 19, 20, 22, 23	506102	Adult Angle Adjustable Locking Flip Up Armrest Assembly Desk Pad, Right	1
5, 6a, 7a, 10-12, 13b, 14, 16, 19, 20, 22, 23	506103	Adult Angle Adjustable Locking Flip Up Armrest Assembly Desk Pad, Left	1
5, 6b, 7b, 10-12, 13a, 14, 16, 19, 20, 22, 23	506107	Adult Angle Adjustable Locking Flip Up Armrest Assembly Full Pad, PAIR	1
5, 6b, 7b, 10-12, 13a, 14, 16, 19, 20, 22, 23	506105	Adult Angle Adjustable Locking Flip Up Armrest Assembly Full Pad, Right	1
5, 6b, 7b, 10-12, 13a, 14, 16, 19, 20, 22, 23	506106	Adult Angle Adjustable Locking Flip Up Armrest Assembly Full Pad, Left	1
5, 6a, 8a, 10-12, 14, 16, 19, 22, 23	506110	Adult Angle Adjustable Locking Flip Up Armrest Assembly Desk Foam Grip, PAIR	1
5, 6a, 8a, 10-12, 14, 16, 19, 22, 23	506108	Adult Angle Adjustable Locking Flip Up Armrest Assembly Desk Foam Grip, Right	1
5, 6a, 8a, 10-12, 14, 16, 19, 22, 23	506109	Adult Angle Adjustable Locking Flip Up Armrest Assembly Desk Foam Grip, Left	1
5, 6b, 8b, 10-12, 14, 16, 19, 22, 23	506113	Adult Angle Adjustable Locking Flip Up Armrest Assembly Full Foam Grip, PAIR	1
5, 6b, 8b, 10-12, 14, 16, 19, 22, 23	506111	Adult Angle Adjustable Locking Flip Up Armrest Assembly Full Foam Grip, Right	1
5, 6b, 8b, 10-12, 14, 16, 19, 22, 23	506112	Adult Angle Adjustable Locking Flip Up Armrest Assembly Full Foam Grip, Left	1
1-4, 9, 15, 17, 18, 21	504312	Angle Adjustable Locking Flip Up Arm Mounting Hardware Assembly, PAIR	1
1a, 2a, 3, 4, 9, 15, 17, 18, 21	504310	Angle Adjustable Locking Flip Up Arm Mounting Hardware Assembly, Right	1
1b, 2b, 3, 4, 9, 15, 17, 18, 21	504311	Angle Adjustable Locking Flip Up Arm Mounting Hardware Assembly, Left	1

Item Number	Part Number	Description	Quantity
1a	002836	Locking Flip Up Arm Mount Bracket Right	1
1b	002837	Locking Flip Up Arm Mount Bracket Left	1
2a	002838	Locking Flip Up Arm Index Bracket Right	1
2b	002839	Locking Flip Up Arm Index Bracket Left	1
3	002840	Locking Flip Up Arm Dual Saddle 1"OD x 1"SP	1
4	002841	Locking Flip Up Arm Nut Plate	1
5	003162	Locking Flip Up Arm Steel Tube Assembly <i>Used on all Catalyst, Rogue XP, Liberty FT and Focus chairs</i>	1
6a	002844	Locking Flip Up Arm Extension Tube Desk	1
6b	002845	Locking Flip Up Arm Extension Tube Full	1
7a	002849	Locking Flip Up Arm Pad Adapter Desk	1
7b	002850	Locking Flip Up Arm Pad Adapter Full	1
6a, 8a, 14	504337	Locking Flip Up Arm Extension and Foam Grip Kit, Desk	1
6b, 8b, 14	504338	Locking Flip Up Arm Extension and Foam Grip Kit, Full	1
9	002914	Sleeve .266 OD x .236 ID x .97 LG <i>Not used on Rogue XP models. Only used on Catalyst with Reclining Back. Always used on Liberty FT and Focus models.</i>	2
10	001271	1" Saddle, .323 Hole	1
11	000987	Threaded Fastener	1
12	000988	Fastener Retainer	1
13a	100500	Arm Pad Full	1
13b	100501	Arm Pad Desk	1
14	100804	Tube End Plug 1"	2
15	102870	Bumper, .375 HD x .25 Stem	1
16	102865	M8 X 60, BHCS, 28mm THD, BZ	1
17	101819	M6 x 40 FHCS Blk Zn	2
18	101823	M6 x 20 HHCS Blk Zn	1
19	200427	M5 x 10 CLS8.8 HHCS ZC w/Patch DIN933	1

Item Number	Part Number	Description	Quantity
20	102867	M5 X 35 PAN HD PHP, BLK ZN <i>Used with arm pads</i>	2
21	100659	M8 Nylock Nut Blk Zn	1
22	102866	Washer, Nylon, 1"OD x.318ID x.04	1
23	101861	Nylon Washer 5/16 x 1/2 x .03	1