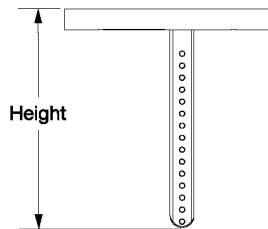
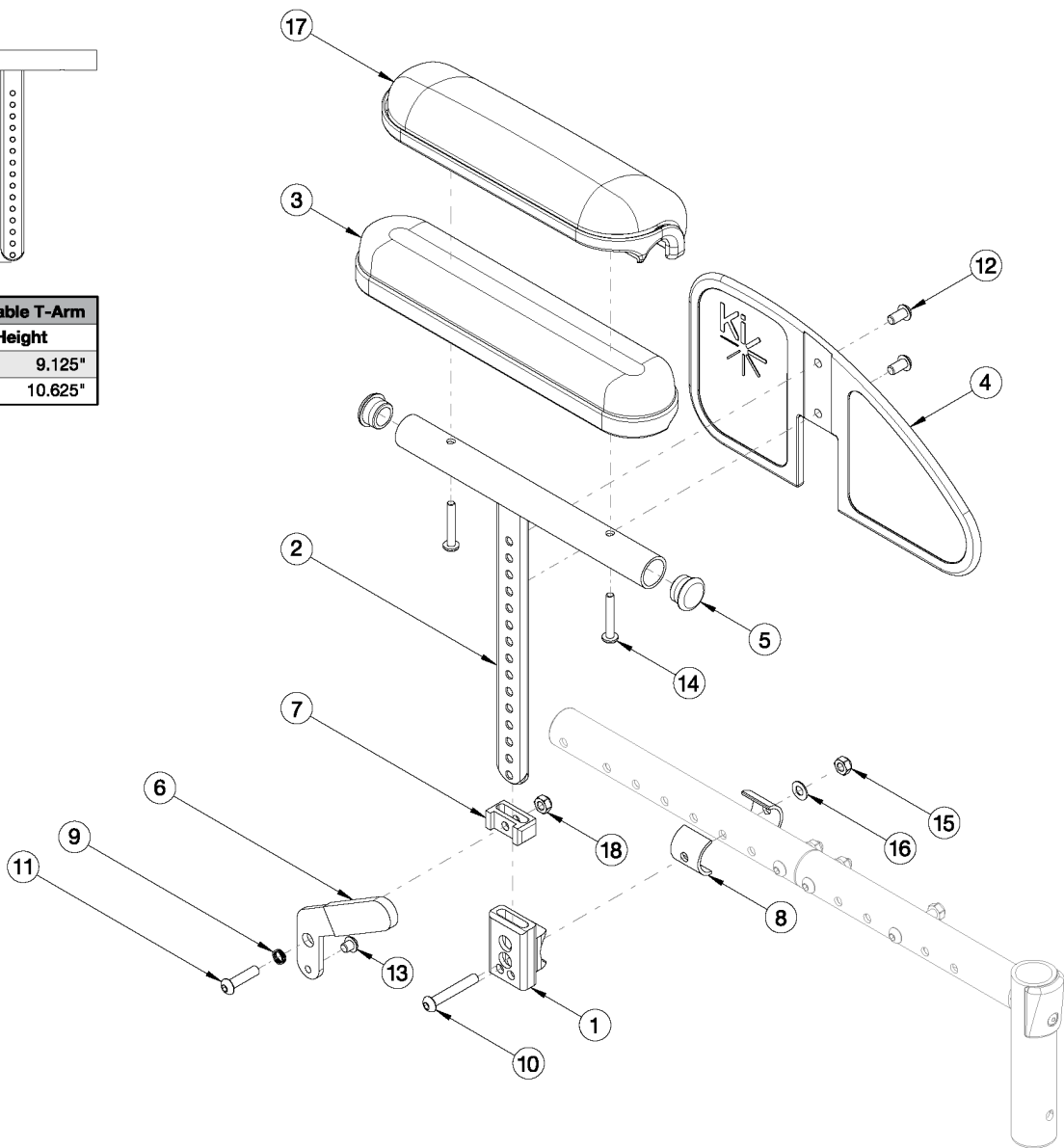


Flip Pediatric Height Adjustable T-Arm



| Height Adjustable T-Arm | |
|-------------------------|---------|
| Item # 2 | Height |
| Short | 9.125" |
| Tall | 10.625" |



If retrofitting, Receivers are needed.

| Item Number | Part Number | Description | Quantity |
|-----------------------------------|-------------|---------------------------------------------------------------------------|----------|
| 1, 2a, 3-14a, 15, 16, 18 | 502895 | Height Adjustable Pediatric T-Arm Assm, Short Desk, w/ Receiver PAIR FLIP | 1 |
| 1, 2a, 3-5, 6a, 7-14a, 15, 16, 18 | 503022 | Height Adj Pediatric T-Arm Assm, Short Desk, w/ Receiver Left Flip | 1 |
| 1, 2a, 3-5, 6b, 7-14a, 15, 16, 18 | 503023 | Height Adj Pediatric T-Arm Assm, Short Desk, w/ Receiver Right Flip | 1 |
| 1, 2b, 3-14a, 15, 16, 18 | 502896 | Height Adjustable Pediatric T-Arm Assm, Tall Desk, w/ Receiver PAIR FLIP | 1 |

| Item Number | Part Number | Description | Quantity |
|------------------------------------|-------------|--------------------------------------------------------------------------------------------------|----------|
| 1, 2b, 3-5, 6a, 7-14a, 15, 16, 18 | 503024 | Height Adj Pediatric T-Arm Assm, Tall Desk, w/ Receiver Left Flip | 1 |
| 1, 2b, 3-5, 6b, 7-14a, 15, 16, 18 | 503025 | Height Adj Pediatric T-Arm Assm, Tall Desk, w/ Receiver Right Flip | 1 |
| 1, 2a, 4-14b, 15-18 | 503047 | Height Adj Pediatric T-Arm Assm, Short Waterfall Desk, w/ Receiver PAIR Flip | 1 |
| 1, 2a, 4, 5, 6a, 7-14b, 15-18 | 503045 | Height Adj Pediatric T-Arm Assm, Short Waterfall Desk, w/ Receiver Left Flip | 1 |
| 1, 2a, 4, 5, 6b, 7-14b, 15-18 | 503046 | Height Adj Pediatric T-Arm Assm, Short Waterfall Desk, w/ Receiver Right Flip | 1 |
| 1, 2b, 4-14b, 15-18 | 503050 | Height Adj Pediatric T-Arm Assm, Tall Waterfall Desk, w/ Receiver PAIR Flip | 1 |
| 1, 2b, 4, 5, 6a, 7-14b, 15-18 | 503048 | Height Adj Pediatric T-Arm Assm, Tall Waterfall Desk, w/ Receiver Left Flip | 1 |
| 1, 2b, 4, 5, 6b, 7-14b, 15-18 | 503049 | Height Adj Pediatric T-Arm Assm, Tall Waterfall Desk, w/ Receiver Right Flip | 1 |
| 2a, 3-7, 9, 11-13, 14a, 18 | 505940 | Height Adjustable Pediatric T-Arm Assm, Short Desk, PAIR FLIP | 1 |
| 2a, 3-5, 6a, 7, 9, 11-13, 14a, 18 | 505942 | Height Adj Pediatric T-Arm Assm, Short Desk, Left Flip | 1 |
| 2a, 3-5, 6b, 7, 9, 11-13, 14a, 18 | 505943 | Height Adj Pediatric T-Arm Assm, Short Desk, Right Flip | 1 |
| 2b, 3-7, 9, 11-13, 14a, 18 | 505941 | Height Adjustable Pediatric T-Arm Assm, Tall Desk, PAIR FLIP | 1 |
| 2b, 3-5, 6a, 7, 9, 11-13, 14a, 18 | 505944 | Height Adj Pediatric T-Arm Assm, Tall Desk, Left Flip | 1 |
| 2b, 3-5, 6b, 7, 9, 11-13, 14a, 18 | 505945 | Height Adj Pediatric T-Arm Assm, Tall Desk, Right Flip | 1 |
| 2a, 4-7, 9, 11-13, 14b, 17, 18 | 505948 | Height Adj Pediatric T-Arm Assm, Short Waterfall Desk, PAIR Flip | 1 |
| 2a, 4-6a, 7, 9, 11-13, 14b, 17, 18 | 505946 | Height Adj Pediatric T-Arm Assm, Short Waterfall Desk, Left Flip | 1 |
| 2a, 4-6b, 7, 9, 11-13, 14b, 17, 18 | 505947 | Height Adj Pediatric T-Arm Assm, Short Waterfall Desk, Right Flip | 1 |
| 2b, 4-7, 9, 11-13, 14b, 17, 18 | 505951 | Height Adj Pediatric T-Arm Assm, Tall Waterfall Desk, PAIR Flip | 1 |
| 2b, 4-6a, 7, 9, 11-13, 14b, 17, 18 | 505949 | Height Adj Pediatric T-Arm Assm, Tall Waterfall Desk, Left Flip | 1 |
| 2b, 4-6b, 7, 9, 11-13, 14b, 17, 18 | 505950 | Height Adj Pediatric T-Arm Assm, Tall Waterfall Desk, Right Flip | 1 |
| 1, 8, 10, 15, 16 | 503026 | Height Adj Pediatric T-Arm Receiver Assm, Flip | 1 |
| 1 | 002037 | Ped T-Arm / Side Guard Receiver FLIP <i>This receiver design effective October 23rd, 2020</i> | 1 |

| Item Number | Part Number | Description | Quantity |
|-------------|-------------|------------------------------------------------------------------------|----------|
| 2a, 5 | 002045 | Post Weldment, T-Arm, Ped, Short | 1 |
| 2b, 5 | 002046 | Post Weldment, T-Arm, Ped, Tall | 1 |
| 3 | 100501 | Arm Pad Desk | 1 |
| 4 | 503881 | Pediatric T Arm Panel w/Ki Logo | 1 |
| 5 | 100803 | Tube End Plug 7/8" | 2 |
| 6a | 501396 | Pediatric T Arm Lever Left | 1 |
| 6b | 501397 | Pediatric T Arm Lever Right | 1 |
| 7 | 501395 | Pediatric T Arm Bracket | 1 |
| 8 | 114443 | Tube Spacer, Black, 1" OD x .083" x .80 LG | 2 |
| 9 | 101088 | Wave Spring - 1/4 id x 3/8 od | 1 |
| 10 | 100797 | M6 x 40 BHCS BLK ZC | 1 |
| 11 | 101593 | M6 x 25 BTN SHCS BLKZC | 1 |
| 12 | 101184 | M6 x 10 BTN SHCS BLKZC w/Patch | 2 |
| 13 | 101702 | M6 x 6 BTN SHCS ZC | 1 |
| 14a | 100696 | M5 x 30mm PPH Capscrew <i>Used with Standard Arm Pad</i> | 2 |
| 14b | 100654 | M5 x 40 DIN7985 PH Pan HD M/S ZC <i>Used with Waterfall Arm Pad</i> | 2 |
| 15 | 100658 | M6 Nylock Nut Blk Zn | 1 |
| 16 | 102803 | Washer Flat .250 X .500 X .027 Hx Blz | 1 |
| 17 | 102521 | Waterfall Arm Pad Desk | 1 |
| 18 | 101456 | M6 Ovl Top L/N ZC | 1 |