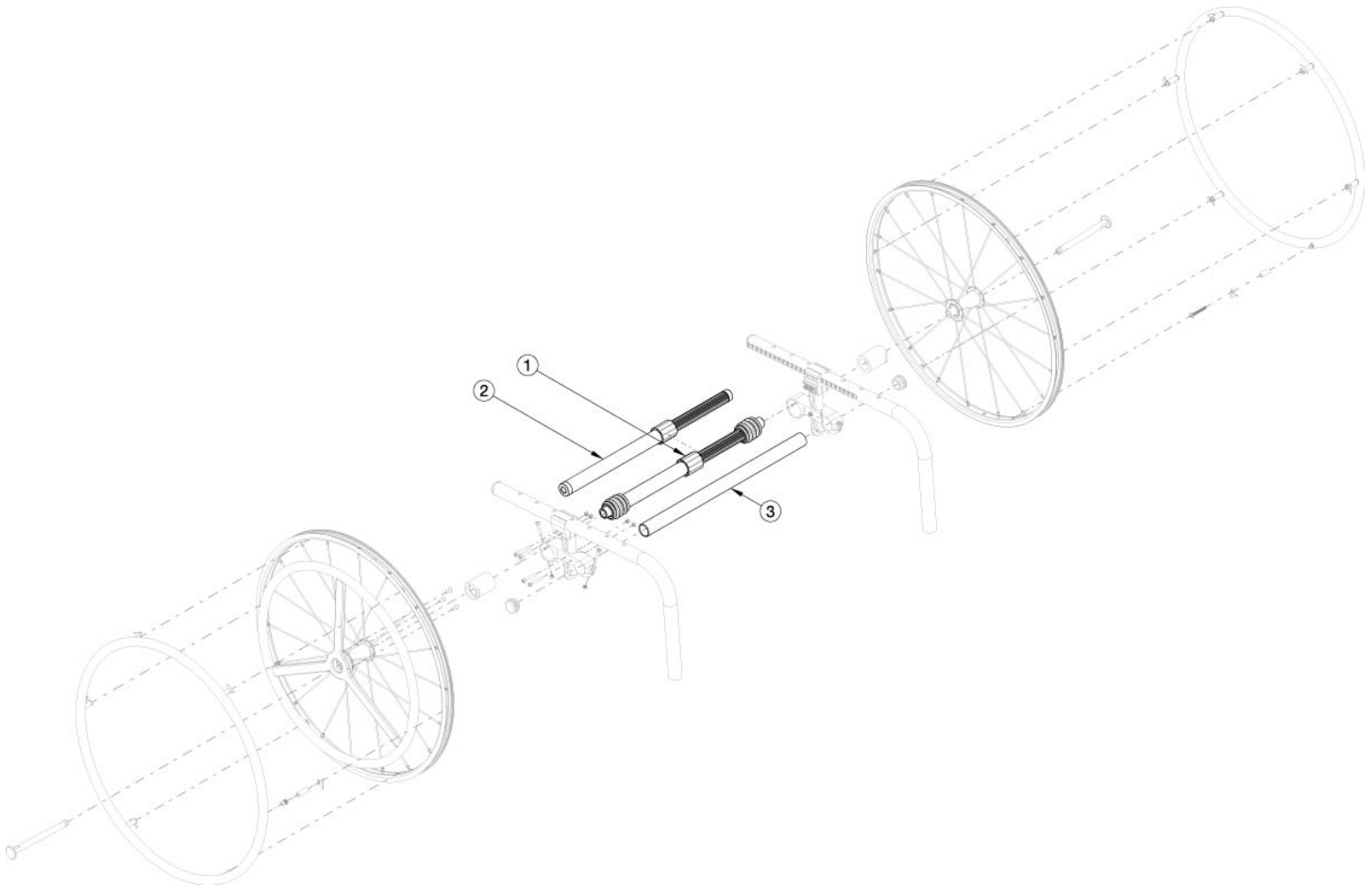


Clik One Arm Drive Quick Release - Growth



If the chair has a discontinued OAD, a retrofit to the Quick Release Style is needed for a change in width.

Item Number	Part Number	Description	Quantity
1a	111858	One Arm Drive - Quick Release Camber Drive Shaft 170-195mm	1
1b	111627	One Arm Drive - Quick Release Camber Drive Shaft 180-210mm	1
1c	111628	One Arm Drive - Quick Release Camber Drive Shaft 195-235mm	1
1d	111498	One Arm Drive - Quick Release Camber Drive Shaft 220-280mm	1
1e	111499	One Arm Drive - Quick Release Camber Drive Shaft 270-330mm	1
1f	111500	One Arm Drive - Quick Release Camber Drive Shaft 295-370mm	1
1g	111501	One Arm Drive - Quick Release Camber Drive Shaft 350-460mm	1
2a	111503	One Arm Drive - Quick Release Zero Camber Drive Shaft 177-255mm	1
2b	111504	One Arm Drive - Quick Release Zero Camber Drive Shaft 225-295mm	1

Item Number	Part Number	Description	Quantity
2c	111505	One Arm Drive - Quick Release Zero Camber Drive Shaft 260-370mm	1
2d	111506	One Arm Drive - Quick Release Zero Camber Drive Shaft 330-440mm	1
3a	003369	One Arm Drive Camber Tube 11" Kit, Klik / Rogue XP <i>Does not include tube end plugs</i>	1
3b	003370	One Arm Drive Camber Tube 12" Kit, Klik / Rogue / Rogue XP <i>Does not include tube end plugs</i>	1
3c	003371	One Arm Drive Camber Tube 13" Kit, Klik / Rogue / Rogue XP <i>Does not include tube end plugs</i>	1
3d	003372	One Arm Drive Camber Tube 14" Kit, Klik / Rogue / Rogue XP <i>Does not include tube end plugs</i>	1
3e	003373	One Arm Drive Camber Tube 15" Kit, Klik / Rogue / Rogue XP <i>Does not include tube end plugs</i>	1
3f	003374	One Arm Drive Camber Tube 16" Kit, Klik / Rogue / Rogue XP <i>Does not include tube end plugs</i>	1
3g	003708	One Arm Drive Camber Tube 17" Kit, Klik / Rogue / Rogue XP <i>Does not include tube end plugs</i>	1
3h	003709	One Arm Drive Camber Tube 18" Kit, Klik / Rogue / Rogue XP <i>Does not include tube end plugs</i>	1
4	100532	Tube End Plug 1 1/8"	2

Clik Quick Release One Arm Drive Shaft Guide

DRIVE SHAFT LENGTH FOR CLIK WITH OMIT OR SWING AWAY ARMS				
CLIK SEAT WIDTH	WHEEL SPACING	CAMBER	DESCRIPTION	PART NUMBER
SEAT WIDTH 11"	1.75	0	QUICK RELEASE OAD ZERO CAMBER DRIVE SHAFT 177-255MM	~111503
	.75, 1	2	QUICK RELEASE OAD CAMBER DRIVE SHAFT 170-195MM	#111858
	1.25	2	QUICK RELEASE OAD CAMBER DRIVE SHAFT 180-210MM	#111627
	1.5	2	QUICK RELEASE OAD CAMBER DRIVE SHAFT 195-235MM	#111628
	1.75	2	QUICK RELEASE OAD CAMBER DRIVE SHAFT 195-235MM	~111628
	1	4	QUICK RELEASE OAD CAMBER DRIVE SHAFT 195-235MM	~111628
	1.25	4	QUICK RELEASE OAD CAMBER DRIVE SHAFT 220-280MM	~111498
SEAT WIDTH 12"	1.5	0	QUICK RELEASE OAD ZERO CAMBER DRIVE SHAFT 177-255MM	111503
	1.75	0	QUICK RELEASE OAD ZERO CAMBER DRIVE SHAFT 177-255MM	~111503
	.75, 1	2	QUICK RELEASE OAD CAMBER DRIVE SHAFT 180-210MM	#111627
	1.25, 1.5	2	QUICK RELEASE OAD CAMBER DRIVE SHAFT 195-235MM	111628
	1.75	2	QUICK RELEASE OAD CAMBER DRIVE SHAFT 220-280MM	~111498
	0.75	4	QUICK RELEASE OAD CAMBER DRIVE SHAFT 195-235MM	111628
	1	4	QUICK RELEASE OAD CAMBER DRIVE SHAFT 220-280MM	~111498
SEAT WIDTH 13"	1, 1.25, 1.5	0	QUICK RELEASE OAD ZERO CAMBER DRIVE SHAFT 177-255MM	111503
	1.75	0	QUICK RELEASE OAD ZERO CAMBER DRIVE SHAFT 225-295MM	~111504
	.75, 1	2	QUICK RELEASE OAD CAMBER DRIVE SHAFT 195-235MM	111628
	1.25, 1.5	2	QUICK RELEASE OAD CAMBER DRIVE SHAFT 220-280MM	111498
	1.75	2	QUICK RELEASE OAD CAMBER DRIVE SHAFT 220-280MM	~111498
	0.75	4	QUICK RELEASE OAD CAMBER DRIVE SHAFT 220-280MM	111498
	1	4	QUICK RELEASE OAD CAMBER DRIVE SHAFT 220-280MM	~111498
	1.25	4	QUICK RELEASE OAD CAMBER DRIVE SHAFT 270-330MM	~111499
SEAT WIDTH 14"	1, 1.25	0	QUICK RELEASE OAD ZERO CAMBER DRIVE SHAFT 177-255MM	111503
	1.5	0	QUICK RELEASE OAD ZERO CAMBER DRIVE SHAFT 225-295MM	111504
	1.75	0	QUICK RELEASE OAD ZERO CAMBER DRIVE SHAFT 225-295MM	~111504
	.75, 1, 1.25	2	QUICK RELEASE OAD CAMBER DRIVE SHAFT 220-280MM	111498
	1.5	2	QUICK RELEASE OAD CAMBER DRIVE SHAFT 270-330MM	#111499
	1.75	2	QUICK RELEASE OAD CAMBER DRIVE SHAFT 270-330MM	~111499
	0.75	4	QUICK RELEASE OAD CAMBER DRIVE SHAFT 270-330MM	#111499
	1	4	QUICK RELEASE OAD CAMBER DRIVE SHAFT 270-330MM	~111499
	1.25	4	QUICK RELEASE OAD CAMBER DRIVE SHAFT 270-330MM	~111499

Clik No-Go Configurations			
Wheel Size	Camber	Wheel Spacing	Rear Seat Height
24	0	1	14.5
24	0	1	15
24	0	1	15.5
22	0	1	14.5
22	0	1	15
22	0	1	15.5
20	0	1	12.5
20	0	1	13

Seat width less than 16" + any rear wheel camber + any 5th wheel = N/A with QR OAD

#For this configuration, one wheel must be removed before the driveshaft can be installed. The second wheel can be installed once the drive shaft is in position.

~For this configuration, tower assemblies are to be mounted outboard of the frame.

NOTE: Tower assemblies must be mounted outboard of the frame when offset frames are used.

NOTE: 1.25" minimum wheel spacing is required when side guards are used.

Clik Quick Release One Arm Drive Shaft Guide

DRIVE SHAFT LENGTH FOR CLIK WITH OMIT OR SWING AWAY ARMS				
CLIK SEAT WIDTH	WHEEL SPACING	CAMBER	DESCRIPTION	PART NUMBER
SEAT WIDTH 15"	1, 1.25, 1.5	0	QUICK RELEASE OAD ZERO CAMBER DRIVE SHAFT 225-295MM	111504
	1.75	0	QUICK RELEASE OAD ZERO CAMBER DRIVE SHAFT 260-370MM	~111505
	0.75	2	QUICK RELEASE OAD CAMBER DRIVE SHAFT 220-280MM	111498
	1	2	QUICK RELEASE OAD CAMBER DRIVE SHAFT 270-330MM	#111499
	1.25, 1.5	2	QUICK RELEASE OAD CAMBER DRIVE SHAFT 270-330MM	111499
	1.75	2	QUICK RELEASE OAD CAMBER DRIVE SHAFT 295-370MM	~111500
	0.75	4	QUICK RELEASE OAD CAMBER DRIVE SHAFT 270-330MM	111499
	1	4	QUICK RELEASE OAD CAMBER DRIVE SHAFT 295-370MM	~111500
	1.25	4	QUICK RELEASE OAD CAMBER DRIVE SHAFT 295-370MM	~111500
SEAT WIDTH 16"	1	0	QUICK RELEASE OAD ZERO CAMBER DRIVE SHAFT 225-295MM	111504
	1.25, 1.5	0	QUICK RELEASE OAD ZERO CAMBER DRIVE SHAFT 260-370MM	111505
	1.75	0	QUICK RELEASE OAD ZERO CAMBER DRIVE SHAFT 260-370MM	~111505
	0.75, 1	2	QUICK RELEASE OAD CAMBER DRIVE SHAFT 270-330MM	111499
	1.25, 1.5	2	QUICK RELEASE OAD CAMBER DRIVE SHAFT 295-370MM	111500
	1.75	2	QUICK RELEASE OAD CAMBER DRIVE SHAFT 295-370MM	~111500
	0.75	4	QUICK RELEASE OAD CAMBER DRIVE SHAFT 295-370MM	111500
	1	4	QUICK RELEASE OAD CAMBER DRIVE SHAFT 295-370MM	~111500
	1.25	4	QUICK RELEASE OAD CAMBER DRIVE SHAFT 295-370MM	~111500
SEAT WIDTH 17"	1, 1.25, 1.5	0	QUICK RELEASE OAD ZERO CAMBER DRIVE SHAFT 260-370MM	111505
	1.75	0	QUICK RELEASE OAD ZERO CAMBER DRIVE SHAFT 330-440MM	~111506
	0.75, 1, 1.25, 1.5	2	QUICK RELEASE OAD CAMBER DRIVE SHAFT 295-370MM	111500
	1.75	2	QUICK RELEASE OAD CAMBER DRIVE SHAFT 350-460MM	~111501
	0.75	4	QUICK RELEASE OAD CAMBER DRIVE SHAFT 295-370MM	111500
	1	4	QUICK RELEASE OAD CAMBER DRIVE SHAFT 350-460MM	~111501
	1.25	4	QUICK RELEASE OAD CAMBER DRIVE SHAFT 350-460MM	~111501
SEAT WIDTH 18"	1, 1.25	0	QUICK RELEASE OAD ZERO CAMBER DRIVE SHAFT 260-370MM	111505
	1.5	0	QUICK RELEASE OAD ZERO CAMBER DRIVE SHAFT 330-440MM	111506
	1.75	0	QUICK RELEASE OAD ZERO CAMBER DRIVE SHAFT 330-440MM	~111506
	1.25, 1.5	2	QUICK RELEASE OAD CAMBER DRIVE SHAFT 350-460MM	111501
	1.75	2	QUICK RELEASE OAD CAMBER DRIVE SHAFT 350-460MM	~111501
	0.75	4	QUICK RELEASE OAD CAMBER DRIVE SHAFT 295-370MM	111500
	1	4	QUICK RELEASE OAD CAMBER DRIVE SHAFT 350-460MM	~111501
	1.25	4	QUICK RELEASE OAD CAMBER DRIVE SHAFT 350-460MM	~111501

#For this configuration, one wheel must be removed before the driveshaft can be installed. The second wheel can be installed once the drive shaft is in position.

~For this configuration, tower assemblies are to be mounted outboard of the frame.

NOTE: Tower assemblies must be mounted outboard of the frame when offset frames are used.

NOTE: 1.25" minimum wheel spacing is required when side guards are used.

DRIVE SHAFT LENGTH FOR CLIK WITH T-ARMS				
CLIK SEAT WIDTH	WHEEL SPACING	CAMBER	DESCRIPTION	PART NUMBER
SEAT WIDTH 11"	1.75	0	QUICK RELEASE OAD ZERO CAMBER DRIVE SHAFT 177-255MM	111503
	1.75	2	QUICK RELEASE OAD CAMBER DRIVE SHAFT 195-235MM	111628
SEAT WIDTH 12"	1.75	0	QUICK RELEASE OAD ZERO CAMBER DRIVE SHAFT 177-255MM	111503
	1.75	2	QUICK RELEASE OAD CAMBER DRIVE SHAFT 220-280MM	111498
SEAT WIDTH 13"	1.75	0	QUICK RELEASE OAD ZERO CAMBER DRIVE SHAFT 225-295MM	111504
	1.75	2	QUICK RELEASE OAD CAMBER DRIVE SHAFT 220-280MM	111498
SEAT WIDTH 14"	1.75	0	QUICK RELEASE OAD ZERO CAMBER DRIVE SHAFT 225-295MM	111504
	1.75	2	QUICK RELEASE OAD CAMBER DRIVE SHAFT 270-330MM	111499
SEAT WIDTH 15"	1.75	0	QUICK RELEASE OAD ZERO CAMBER DRIVE SHAFT 260-370MM	111505
	1.75	2	QUICK RELEASE OAD CAMBER DRIVE SHAFT 295-370MM	111500
SEAT WIDTH 16"	1.75	0	QUICK RELEASE OAD ZERO CAMBER DRIVE SHAFT 260-370MM	111505
	1.75	2	QUICK RELEASE OAD CAMBER DRIVE SHAFT 295-370MM	111500
SEAT WIDTH 17"	1.75	0	QUICK RELEASE OAD ZERO CAMBER DRIVE SHAFT 330-440MM	111506
	1.75	2	QUICK RELEASE OAD CAMBER DRIVE SHAFT 350-460MM	111501
SEAT WIDTH 18"	1.75	0	QUICK RELEASE OAD ZERO CAMBER DRIVE SHAFT 330-440MM	111506
	1.75	2	QUICK RELEASE OAD CAMBER DRIVE SHAFT 350-460MM	111501

NOTE: TOWER ASSEMBLIES MUST BE MOUNTED OUTBOARD OF THE FRAME WHEN T-ARMS ARE USED.