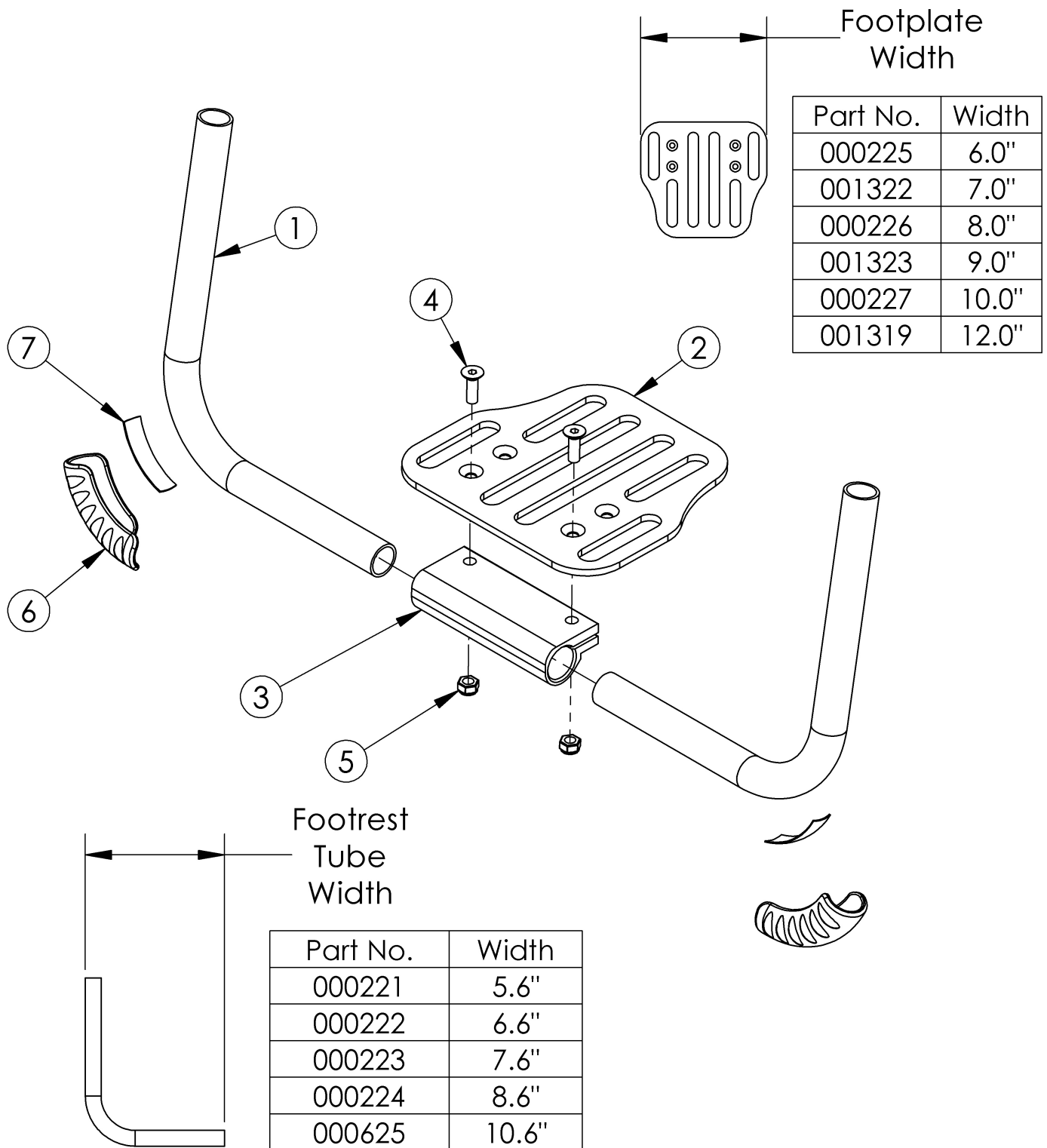


Rogue XP Angle Adjustable Footrest

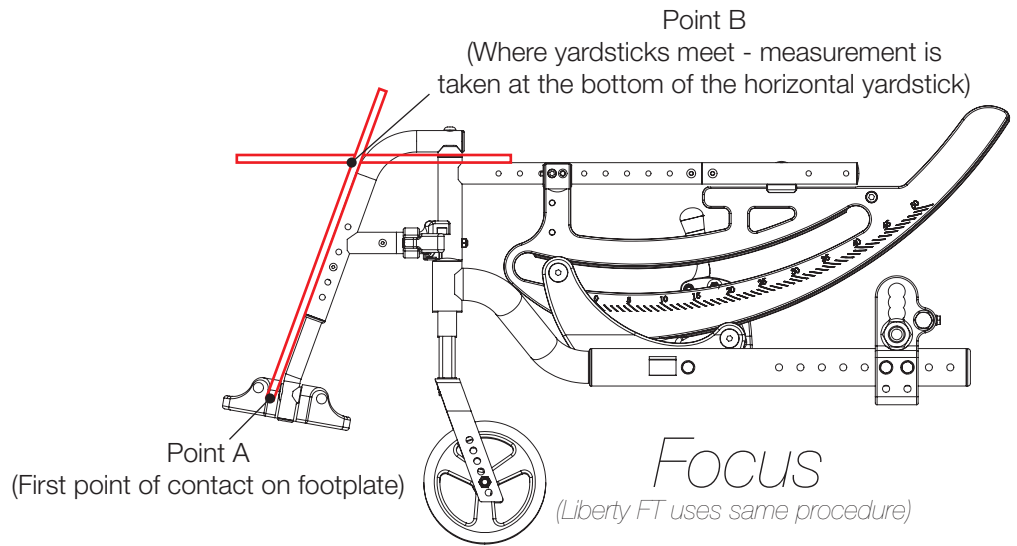


Footrest assemblies based on straight frame

Item Number	Part Number	Description	Quantity
1a, 2a, 3 - 5	500772	Footrest Assembly Ang Adj 10", 11" Wide for No Riser/1" Riser Rigid <i>1" riser not included</i>	1
1a, 2b, 3 - 5	500773	Footrest Assembly Ang Adj 12" Wide for No Riser/1" Riser Rigid <i>1" riser not included</i>	1
1a, 2c, 3 - 5	500774	Footrest Assembly Ang Adj 13" Wide for No Riser/1" Riser Rigid <i>1" riser not included</i>	1
1b, 2d, 3 - 5	500775	Footrest Assembly Ang Adj 14" Wide for No Riser/1" Riser Rigid <i>1" riser not included</i>	1
1b, 2e, 3 - 5	500776	Footrest Assembly Ang Adj 15" Wide for No Riser/1" Riser Rigid <i>1" riser not included</i>	1
1c, 2e, 3 - 5	500777	Footrest Assembly Ang Adj 16", 17" Wide for No Riser/1" Riser Rigid <i>1" riser not included</i>	1
1d, 2f, 3 - 5	500778	Footrest Assembly Ang Adj 18", 19" Wide for No Riser/1" Riser Rigid <i>1" riser not included</i>	1
6, 7	501739	Footrest Protector w/ Instructions Kit Left Rigid	1
6, 7	501740	Footrest Protector w/ Instructions Kit Right Rigid	1
6, 7	501741	Footrest Protector w/ Instructions Kit PAIR Rigid	1
1a	000221	Footrest Tube Angle Adjustable 5.6" Rigid	2
1b	000222	Footrest Tube Angle Adjustable 6.6" Rigid	2
1c	000223	Footrest Tube Angle Adjustable 7.6" Rigid	2
1d	000224	Footrest Tube Angle Adjustable 8.6" Rigid	2
2a	000225	Footrest Platform Angle Adjustable 6"	1
2b	001322	Footrest Platform Angle Adjustable 7"	1
2c	000226	Footrest Platform Angle Adjustable 8"	1
2d	001323	Footrest Platform Angle Adjustable 9"	1
2e	000227	Footrest Platform Angle Adjustable 10"	1
2f	001319	Footrest Platform Angle Adjustable 12"	1
3	100789	Footrest Adjustable Clamp 5"	1
4	100662	M6 x 25 FSHCS BLK ZC	2
5	100658	M6 Nylock Nut Blk Zn	2

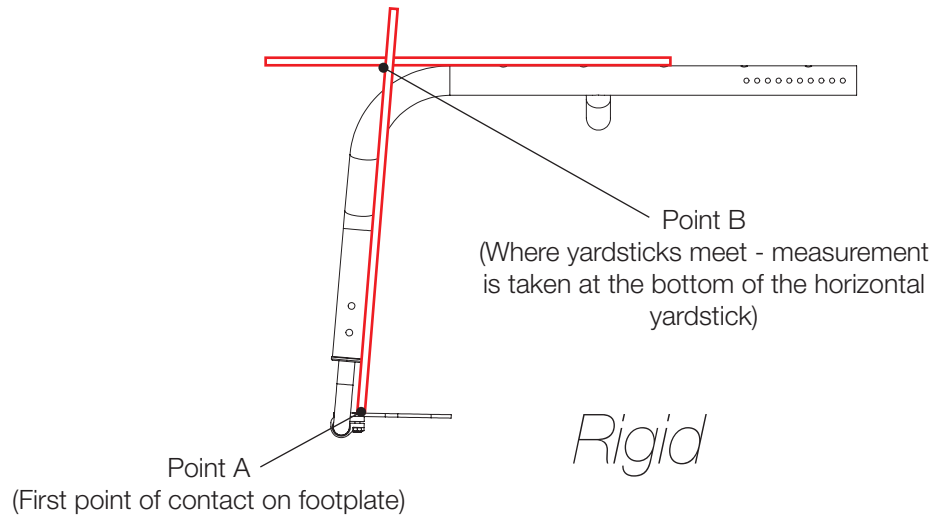
Distance between Point A and Point B = Footplate Length

NOTE: The yardstick on the top plane of the seat frame must lie flat against frame. The yardstick going from the footplate to the second yardstick must be square against the hanger tube.



Distance between Point A and Point B = Footplate Length

NOTE: The yardstick on the top plane of the seat frame must lie flat against frame. The yardstick going from the footplate to the second yardstick must be square against the front tube.



Distance between Point A and Point B = Footplate Length

NOTE: The yardstick on the top plane of the hanger must lie flat against hanger. The yardstick going from the footplate to the second yardstick must be square against the hanger tube.

