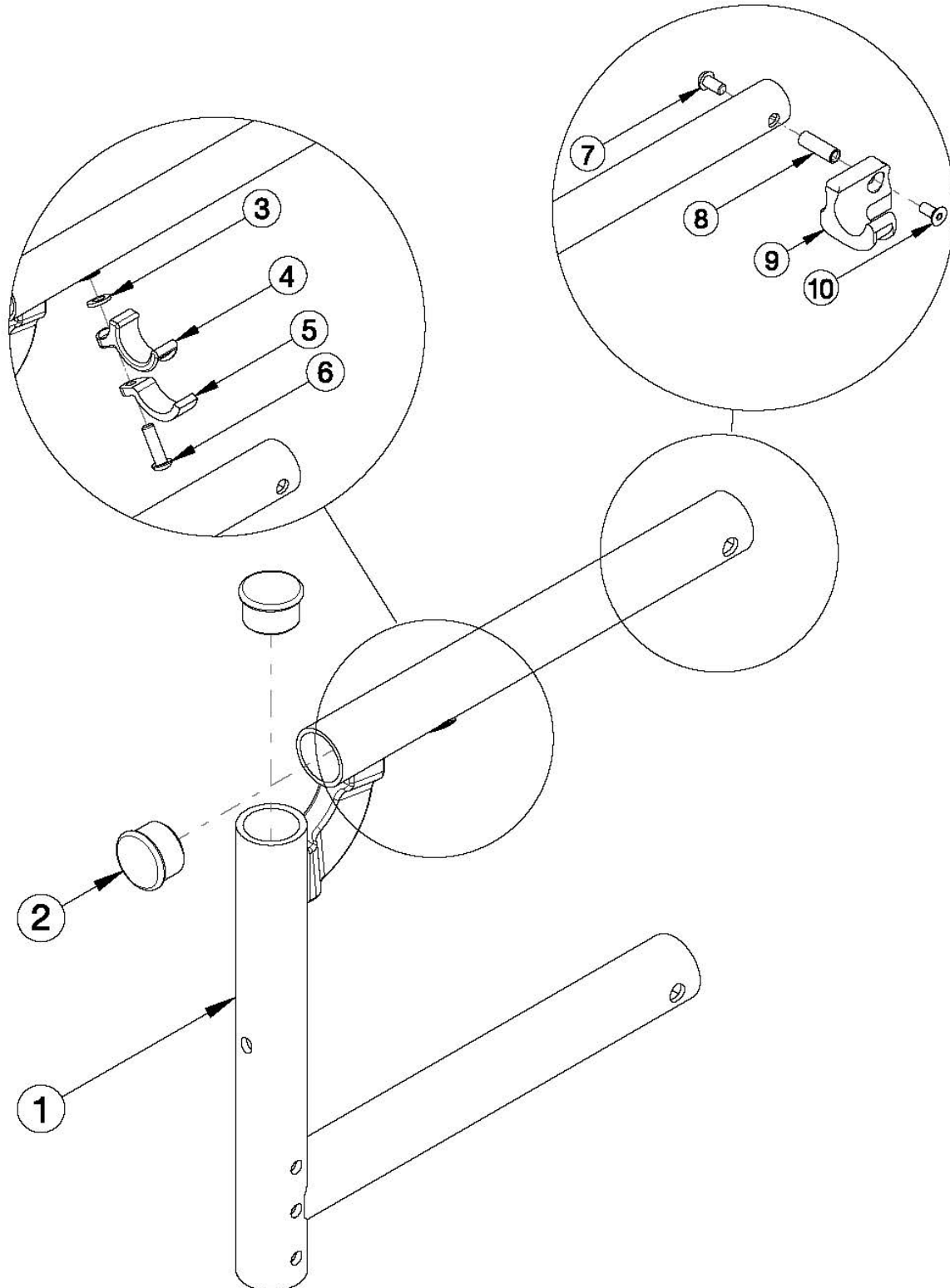


Catalyst Heavy Duty Swing Away Front Frame



<p>This Heavy Duty front frame design effective starting with serial numbers C40043964, C50099247, CVX0099946 with the 350lbs Weight Capacity <p>

Frame assemblies are based on Seat Depth. If switching to a new Seat Depth, new Height Adjustable T-Arms or Height Adjustable Flip Back T-Arms may be needed. <p>

If chair has Flip Back or the discontinued Height Adjustable Flip Back armrests, select a frame assembly with the Flip Back Arm Modification. This modification does not apply to Height Adjustable Flip Back T-Arms.<p>

If retrofitting from a Fixed Front Frame, new caster housings and attaching hardware is required.

Item Number	Part Number	Description	Quantity	Retail
3-6	114528	Seat Hook and Support Hardware Kit, Standard, for Heavy Duty Catalyst <i>This kit contains quantity of 1 each</i>	1	\$17.93
7, 8, 9a, 10	111569	Seat Hook and Support Hardware Kit, Seating System, Right Side, Catalyst <i>This kit contains quantity of 1 each</i>	1	\$29.56
7, 8, 9b, 10	111570	Seat Hook and Support Hardware Kit, Seating System, Left Side, Catalyst <i>This kit contains quantity of 1 each</i>	1	\$29.56
1a, 2	114504_ _ _	Frame Assembly, Heavy Duty, Catalyst Front, Left 14 _ _ _	1	\$182.80 - \$279.69
1b, 2	114505_ _ _	Frame Assembly, Heavy Duty, Catalyst Front, Left 15 _ _ _	1	\$182.80 - \$279.69
1c, 2	114506_ _ _	Frame Assembly, Heavy Duty, Catalyst Front, Left 16 _ _ _	1	\$182.80 - \$279.69
1d, 2	114507_ _ _	Frame Assembly, Heavy Duty, Catalyst Front, Left 17 _ _ _	1	\$182.80 - \$279.69
1e, 2	114508_ _ _	Frame Assembly, Heavy Duty, Catalyst Front, Left 18 _ _ _	1	\$182.80 - \$279.69
1f, 2	114509_ _ _	Frame Assembly, Heavy Duty, Catalyst Front, Left 19 _ _ _	1	\$182.80 - \$279.69
1g, 2	114510_ _ _	Frame Assembly, Heavy Duty, Catalyst Front, Left 20 _ _ _	1	\$182.80 - \$279.69
1h, 2	114511_ _ _	Frame Assembly, Heavy Duty, Catalyst Front, Right 14 _ _ _	1	\$182.80 - \$279.69
1i, 2	114512_ _ _	Frame Assembly, Heavy Duty, Catalyst Front, Right 15 _ _ _	1	\$182.80 - \$279.69
1j, 2	114513_ _ _	Frame Assembly, Heavy Duty, Catalyst Front, Right 16 _ _ _	1	\$182.80 - \$279.69
1k, 2	114514_ _ _	Frame Assembly, Heavy Duty, Catalyst Front, Right 17 _ _ _	1	\$182.80 - \$279.69
1l, 2	114515_ _ _	Frame Assembly, Heavy Duty, Catalyst Front, Right 18 _ _ _	1	\$182.80 - \$279.69
1m, 2	114516_ _ _	Frame Assembly, Heavy Duty, Catalyst Front, Right 19 _ _ _	1	\$182.80 - \$279.69
1n, 2	114517_ _ _	Frame Assembly, Heavy Duty, Catalyst Front, Right 20 _ _ _	1	\$182.80 - \$279.69
1c, 2	114518_ _ _	Frame Assembly, Heavy Duty, Catalyst Front with Flip Back Arm Modification, Left 16 _ _ _	1	\$182.80 - \$279.69
1d, 2	114519_ _ _	Frame Assembly, Heavy Duty, Catalyst Front with Flip Back Arm Modification, Left 17 _ _ _	1	\$182.80 - \$279.69
1e, 2	114520_ _ _	Frame Assembly, Heavy Duty, Catalyst Front with Flip Back Arm Modification, Left 18 _ _ _	1	\$182.80 - \$279.69
1f, 2	114521_ _ _	Frame Assembly, Heavy Duty, Catalyst Front with Flip Back Arm Modification, Left 19 _ _ _	1	\$182.80 - \$279.69

Item Number	Part Number	Description	Quantity	Retail
1g, 2	114522_ _ _	Frame Assembly, Heavy Duty, Catalyst Front with Flip Back Arm Modification, Left 20 _ _ _	1	\$182.80 - \$279.69
1j, 2	114523_ _ _	Frame Assembly, Heavy Duty, Catalyst Front with Flip Back Arm Modification, Right 16 _ _ _	1	\$182.80 - \$279.69
1k, 2	114524_ _ _	Frame Assembly, Heavy Duty, Catalyst Front with Flip Back Arm Modification, Right 17 _ _ _	1	\$182.80 - \$279.69
1l, 2	114525_ _ _	Frame Assembly, Heavy Duty, Catalyst Front with Flip Back Arm Modification, Right 18 _ _ _	1	\$182.80 - \$279.69
1m, 2	114526_ _ _	Frame Assembly, Heavy Duty, Catalyst Front with Flip Back Arm Modification, Right 19 _ _ _	1	\$182.80 - \$279.69
1n, 2	114527_ _ _	Frame Assembly, Heavy Duty, Catalyst Front with Flip Back Arm Modification, Right 20 _ _ _	1	\$182.80 - \$279.69
2	100804	Tube End Plug 1" <i>Quantity 2 per side when omitting hangers</i>	1	\$1.58
3	100831	1/2" Washer OD .040" Thick	1	\$1.58
4	000003	Seat Hook, Catalyst	1	\$7.70
5	000004	Seat Hook Support, Catalyst	1	\$6.55
6	101180	M6 x 20 SHCS BLK ZC	1	\$2.10
7	100667	M6 x 12 BTN SHCS BLKZC w/Patch	1	\$1.58
8	000065	M6 x 23.68 Threaded Barrel	1	\$4.13
9a	000960R	Seat Hook Open Frame Right Front Frame / Left Rear Frame, Catalyst	1	\$21.75
9b	000960L	Seat Hook Open Frame Left Front Frame / Right Rear Frame, Catalyst	1	\$21.75
10	101594	M6 x 14 CLS10.9 DIN7991 FSHCS BLKZC w/Patch	1	\$2.10

Matte Finish	
Code	Color Name
CGM	Charcoal Gray
EGM	Emerald Green
GGM	Graphite Gray*
IBM	Iridescent Burgundy
INM	Iridescent Navy
AGM	Military Green**
RRM	Retro Red
RBM	Royal Blue
SBM	Shadow Black
SWM	Smooth White

* Discontinued Color

** Formerly called Army Green

Gloss Finish	
Code	Color Name
BLK	Black
BLU	Blue
SKY	Blue Skies
BRO	Bright Orange*
PNK	Bubblegum Pink
BUR	Burgundy*
CBL	Candy Blue
PUR	Candy Purple
RED	Candy Red
COP	Copper
DPR	Deep Purple*
EBL	Electric Blue*
GRN	Forest Green*
FUS	Fuchsia*
GSM	Granny Smith
MTF	Metallic Fuchsia*
MOR	Metallic Orange
ORG	Orange*
SAP	Sapphire*
SIL	Silver
TEA	Teal
YLW	Yellow
FLM	Graphic Image Transfer