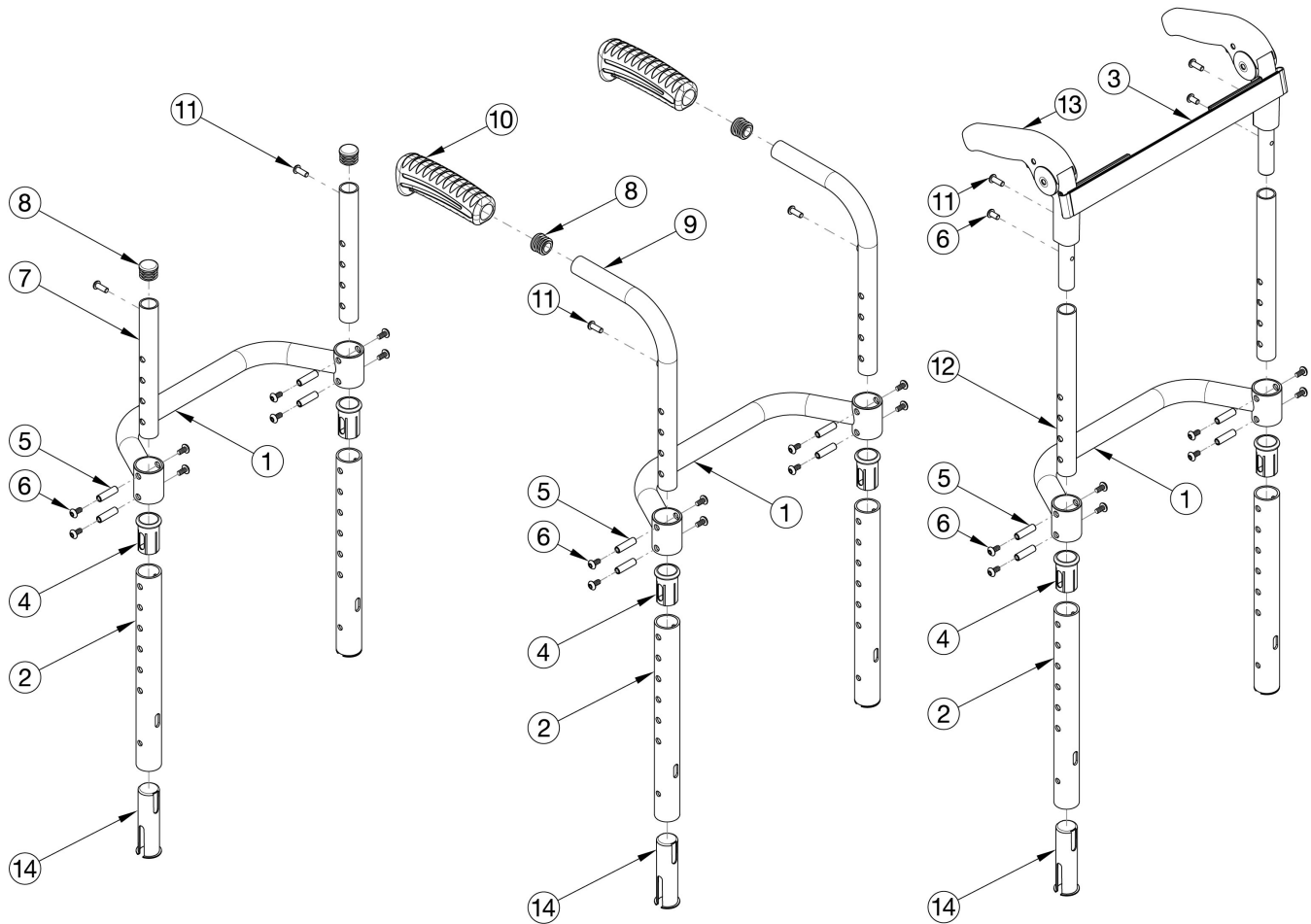


Rigid Height Adjustable Back Post with Adjustable Height Rigidizer Bar



Utilize this page when retrofitting to the Rigid Locking Fold Down Back on a Rogue10, Rogue ALX or Ethos.

Item Number	Part Number	Description	Quantity
8, 9a, 10a	502602	Standard Push Handle Assembly, Short <i>Used with short back height range</i>	1
8, 9b, 10a	117064	Standard Push Handle Assembly, Medium <i>Used with medium back height range</i>	1
8, 9c, 10a	117065	Standard Push Handle Assembly, Tall <i>Used with tall back height range</i>	1
8, 9d, 10b	107205	Low Profile Push Handle Assembly, Short <i>Used with short back height range</i>	1
8, 9e, 10b	117066	Low Profile Push Handle Assembly, Medium <i>Used with medium back height range</i>	1

Item Number	Part Number	Description	Quantity
8, 9f, 10b	117067	Low Profile Push Handle Assembly, Tall <i>Used with tall back height range</i>	1
6, 11, 12c, 13	117068	Fold Down Push Handle Assembly, Height Adjustable, Short <i>Used with short back height range. Includes both 11a and 11b.</i>	1
6, 11, 12b, 13	117069	Fold Down Push Handle Assembly, Height Adjustable, Medium <i>Used with medium back height range. Includes both 11a and 11b.</i>	1
6, 11, 12a, 13	117070	Fold Down Push Handle Assembly, Height Adjustable, Tall <i>Used with tall back height range. Includes both 11a and 11b.</i>	1
2a, 4 - 6, 14	117071	Height Adjustable Back Post with Sleeve Short <i>Accommodates the short back height range when the fold down push handle is present and the back height is 13" or lower.</i>	1
2b, 4 - 6, 14	117072	Height Adjustable Back Post with Sleeve Medium <i>Accommodates the short back height range when the standard, low profile, bolt-on, or omit push handle is present. Accommodates the medium back height range when the fold down push handle is present and the back height is 14" or higher</i>	1
2c, 4 - 6, 14	117073	Height Adjustable Back Post with Sleeve Tall <i>Accommodates the medium back height range when the standard, low profile, bolt-on, or omit push handle is present. Accommodates the tall back height range when the fold down push handle is present.</i>	1
2d, 4 - 6, 14	116891	Height Adjustable Back Post with Sleeves Extra Tall <i>Accommodates the tall back height range when the standard, low profile, bolt-on, or omit push handle is present.</i>	1
6, 7b, 8	125105	Backtube Extension Assembly, 9"	1
1a	000527	Adjustable Height Rigidizer Bar 12" Wide	1
1b	000528	Adjustable Height Rigidizer Bar 13" Wide	1
1c	000185	Adjustable Height Rigidizer Bar 14" Wide	1
1d	000186	Adjustable Height Rigidizer Bar 15" Wide	1
1e	000187	Adjustable Height Rigidizer Bar 16" Wide	1
1f	000188	Adjustable Height Rigidizer Bar 17" Wide	1
1g	000189	Adjustable Height Rigidizer Bar 18" Wide	1
1h	000190	Adjustable Height Rigidizer Bar 19" Wide	1
1i	000191	Adjustable Height Rigidizer Bar 20" Wide	1

Item Number	Part Number	Description	Quantity
2a	115325	Back Tube 7.25"	2
2b	115326	Back Tube 9.25"	2
2c	115327	Back Tube 11.25"	2
2d	115340	Back Tube 13.25"	2
3a	001749	Tension Strap Folding Handle 12-13 Wide	1
3b	001750	Tension Strap Folding Handle 14-15 Wide	1
3c	001751	Tension Strap Folding Handle 16-17 Wide	1
3d	001752	Tension Strap Folding Handle 18-19 Wide	1
3e	001753	Tension Strap Folding Handle 20-22 Wide	1
4	000034	Sleeve 3/4" x 1 1/2"	2
5	000073	M5 x 24 Threaded Barrel	4
6	103524	M5 x 10 BTN SHCS BLK ZN	8
7a	002422	Backtube Extension, 6.25" <i>Used with short back height range</i>	2
7b	115314	Backtube Extension 9", Rigid <i>Used with medium or tall back height ranges</i>	2
8	100638	Tube End Plug 3/4"	2
10a	109432	Ergo Push Handle Grip 3/4" Standard with Instruction	1
10b	109430	Ergo Push Handle Grip 3/4" Low Profile with Instruction	1
11a	100734	M5 x 16 PHMS ZC <i>Used to mount Fold Down Push Handle</i>	2
11b	101843	M5 x 20 SHCS Blk Zn <i>Used to attach upholstery</i>	2
13	001735	Folding Handle Assembly Rigid <i>This is to replace an existing Fold Down Push Handle. If wanting to retrofit to the Fold Down Push Handle, order one of the following complete assemblies based on back height range: 117068, 117069, 117070. Includes 100734 and 101843.</i>	2
14	115540	Tube Sleeve	2