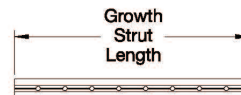
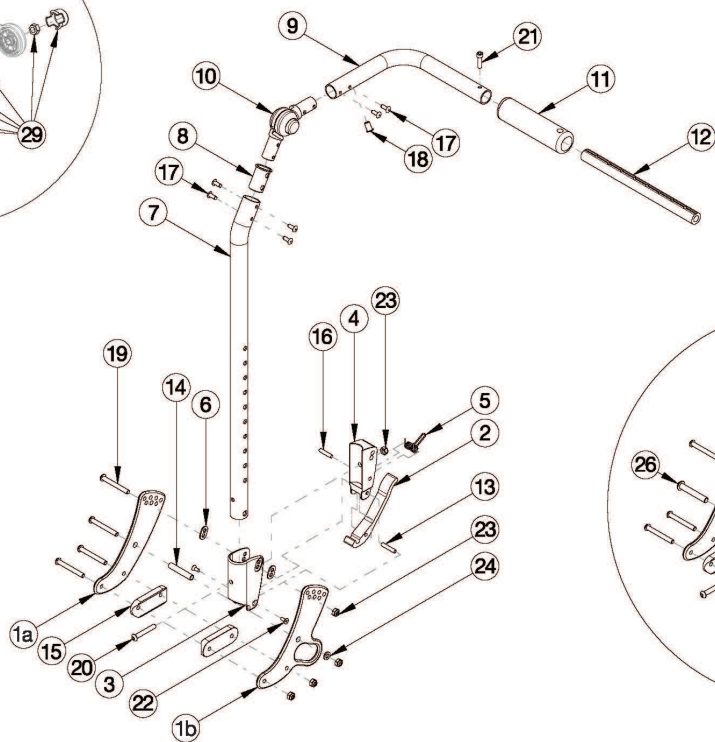
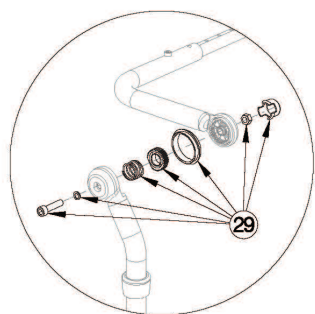
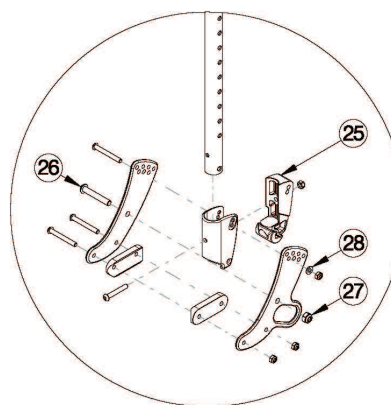


# Focus CR Fixed Height with Adjustable Handle Backrest



Part No.	Growth Range	Used on Widths	Length
002578	14"-20"	14"-17"	8.75"
002579	16"-22"	18"-22"	10.75"
112003	18"-24"	23"-24"	12.75"



Non-Folding

Used on chairs with serial numbers prior to FCR0026599 and FCHD002333, unless a foot tilt or power tilt is present. If foot tilt or power tilt is present, this design effective starting with serial numbers FCR0033747 and FCHD002467. If changing from another style backrest and the hand tilt is present, a new Hand Tilt Cable/Trigger Kit may be required. If retrofitting from a foot tilt or power tilt to hand tilt and serial number is prior to FCR0033747 and FCHD002467, new back cane assemblies are required in addition to the hand tilt mechanism.

Item Number	Part Number	Description	Quantity
1a, 14, 15, 19, 23, 24	502675	Backrest Hardware Assembly, Single Side, Std Focus	1
1a, 1b, 14, 15, 19, 23, 24	502676	Backrest Hardware Assembly, Single Side, Transit Focus	1
1a, 15, 19, 23, 26-28	503102	Backrest Hardware Assembly, Single Side, Std Non-Folding Focus	1
1a, 1b, 15, 19, 23, 26-28	503103	Backrest Hardware Assembly, Single Side, Transit Non-Folding Focus	1
7a, 8, 9b, 10, 11, 17, 18	506815	Backpost Assembly Fixed Height w/Adjustable Handle, Short, Left Focus <i>If changing to a new hand tilt mechanism and serial number is prior to FCR0026599 and FCHD002333, this kit is required in addition to the hand tilt mechanism. If replacing this side back tube assembly and foot tilt or power tilt is present and serial number is prior to FCR0033747 and FCHD002467, both left and right back tube assemblies will need to be replaced.</i>	1

Item Number	Part Number	Description	Quantity
7a, 8, 9a, 10, 11, 17, 18	506816	<p>Backpost Assembly Fixed Height w/Adjustable Handle, Short, Right Focus</p> <p><i>If changing to a new hand tilt mechanism and serial number is prior to FCR0026599 and FCHD002333, this kit is required in addition to the hand tilt mechanism. If replacing this side back tube assembly and foot tilt or power tilt is present and serial number is prior to FCR0033747 and FCHD002467, both left and right back tube assemblies will need to be replaced.</i></p>	1
7b, 8, 9b, 10, 11, 17, 18	506817	<p>Backpost Assembly Fixed Height w/Adjustable Handle, Tall, Left Focus</p> <p><i>If changing to a new hand tilt mechanism and serial number is prior to FCR0026599 and FCHD002333, this kit is required in addition to the hand tilt mechanism. If replacing this side back tube assembly and foot tilt or power tilt is present and serial number is prior to FCR0033747 and FCHD002467, both left and right back tube assemblies will need to be replaced.</i></p>	1
7b, 8, 9a, 10, 11, 17, 18	506818	<p>Backpost Assembly Fixed Height w/Adjustable Handle, Tall, Right Focus</p> <p><i>If changing to a new hand tilt mechanism and serial number is prior to FCR0026599 and FCHD002333, this kit is required in addition to the hand tilt mechanism. If replacing this side back tube assembly and foot tilt or power tilt is present and serial number is prior to FCR0033747 and FCHD002467, both left and right back tube assemblies will need to be replaced.</i></p>	1
1a, 2-6, 7a, 8, 9b, 10, 11, 13-20, 22-24	506742	<p>Back Assembly w/ Latch Insert, Fixed Height w/ Adjustable Handle Short with Hardware, Left Focus</p> <p><i>If changing to a new hand tilt mechanism and serial number is prior to FCR0026599 and FCHD002333, this kit is required in addition to the hand tilt mechanism. If replacing this side back tube assembly and foot tilt or power tilt is present and serial number is prior to FCR0033747 and FCHD002467, both left and right back tube assemblies will need to be replaced.</i></p>	1
1a, 2-6, 7a, 8, 9a, 10, 11, 13-20, 22-24	506743	<p>Back Assembly w/ Latch Insert, Fixed Height w/ Adjustable Handle Short with Hardware, Right Focus</p> <p><i>If changing to a new hand tilt mechanism and serial number is prior to FCR0026599 and FCHD002333, this kit is required in addition to the hand tilt mechanism. If replacing this side back tube assembly and foot tilt or power tilt is present and serial number is prior to FCR0033747 and FCHD002467, both left and right back tube assemblies will need to be replaced.</i></p>	1
1a, 2-6, 7b, 8, 9b, 10, 11, 13-20, 22-24	506744	<p>Back Assembly w/ Latch Insert, Fixed Height w/ Adjustable Handle Tall with Hardware, Left Focus</p> <p><i>If changing to a new hand tilt mechanism and serial number is prior to FCR0026599 and FCHD002333, this kit is required in addition to the hand tilt mechanism. If replacing this side back tube assembly and foot tilt or power tilt is present and serial number is prior to FCR0033747 and FCHD002467, both left and right back tube assemblies will need to be replaced.</i></p>	1
1a, 2-6, 7b, 8, 9a, 10, 11, 13-20, 22-24	506745	<p>Back Assembly w/ Latch Insert, Fixed Height w/ Adjustable Handle Tall with Hardware, Right Focus</p> <p><i>If changing to a new hand tilt mechanism and serial number is prior to FCR0026599 and FCHD002333, this kit is required in addition to the hand tilt mechanism. If replacing this side back tube assembly and foot tilt or power tilt is present and serial number is prior to FCR0033747 and FCHD002467, both left and right back tube assemblies will need to be replaced.</i></p>	1

Item Number	Part Number	Description	Quantity
1a, 3, 7a, 8, 9b, 10, 11, 15, 17-20, 23, 25-28	506746	<p>Back Assembly w/ Latch Insert, Fixed Height w/ Adjustable Handle Short with Hardware, Non-Folding Left Focus</p> <p><i>If changing to a new hand tilt mechanism and serial number is prior to FCR0026599 and FCHD002333, this kit is required in addition to the hand tilt mechanism. If replacing this side back tube assembly and foot tilt or power tilt is present and serial number is prior to FCR0033747 and FCHD002467, both left and right back tube assemblies will need to be replaced.</i></p>	1
1a, 3, 7a, 8, 9a, 10, 11, 15, 17-20, 23, 25-28	506747	<p>Back Assembly w/ Latch Insert, Fixed Height w/ Adjustable Handle Short with Hardware, Non-Folding Right Focus</p> <p><i>If changing to a new hand tilt mechanism and serial number is prior to FCR0026599 and FCHD002333, this kit is required in addition to the hand tilt mechanism. If replacing this side back tube assembly and foot tilt or power tilt is present and serial number is prior to FCR0033747 and FCHD002467, both left and right back tube assemblies will need to be replaced.</i></p>	1
1a, 3, 7b, 8, 9b, 10, 11, 15, 17-20, 23, 25-28	506748	<p>Back Assembly w/ Latch Insert, Fixed Height w/ Adjustable Handle Tall with Hardware, Non-Folding Left Focus</p> <p><i>If changing to a new hand tilt mechanism and serial number is prior to FCR0026599 and FCHD002333, this kit is required in addition to the hand tilt mechanism. If replacing this side back tube assembly and foot tilt or power tilt is present and serial number is prior to FCR0033747 and FCHD002467, both left and right back tube assemblies will need to be replaced.</i></p>	1
1a, 3, 7b, 8, 9a, 10, 11, 15, 17-20, 23, 25-28	506749	<p>Back Assembly w/ Latch Insert, Fixed Height w/ Adjustable Handle Tall with Hardware, Non-Folding Right Focus</p> <p><i>If changing to a new hand tilt mechanism and serial number is prior to FCR0026599 and FCHD002333, this kit is required in addition to the hand tilt mechanism. If replacing this side back tube assembly and foot tilt or power tilt is present and serial number is prior to FCR0033747 and FCHD002467, both left and right back tube assemblies will need to be replaced.</i></p>	1
2, 3-6, 7a, 8, 9b, 10, 11, 13, 16-18, 20, 22, 23	506750	<p>Back Assembly w/ Latch Insert, Fixed Height w/ Adjustable Handle Short, Left Focus</p> <p><i>If changing to a new hand tilt mechanism and serial number is prior to FCR0026599 and FCHD002333, this kit is required in addition to the hand tilt mechanism. If replacing this side back tube assembly and foot tilt or power tilt is present and serial number is prior to FCR0033747 and FCHD002467, both left and right back tube assemblies will need to be replaced.</i></p>	1
2, 3-6, 7a, 8, 9a, 10, 11, 13, 16-18, 20, 22, 23	506751	<p>Back Assembly w/ Latch Insert, Fixed Height w/ Adjustable Handle Short, Right Focus</p> <p><i>If changing to a new hand tilt mechanism and serial number is prior to FCR0026599 and FCHD002333, this kit is required in addition to the hand tilt mechanism. If replacing this side back tube assembly and foot tilt or power tilt is present and serial number is prior to FCR0033747 and FCHD002467, both left and right back tube assemblies will need to be replaced.</i></p>	1

Item Number	Part Number	Description	Quantity
2, 3-6, 7b, 8, 9b, 10, 11, 13, 16-18, 20, 22, 23	506752	Back Assembly w/ Latch Insert, Fixed Height w/ Adjustable Handle Tall, Left Focus  <i>If changing to a new hand tilt mechanism and serial number is prior to FCR0026599 and FCHD002333, this kit is required in addition to the hand tilt mechanism. If replacing this side back tube assembly and foot tilt or power tilt is present and serial number is prior to FCR0033747 and FCHD002467, both left and right back tube assemblies will need to be replaced.</i>	1
2, 3-6, 7b, 8, 9a, 10, 11, 13, 16-18, 20, 22, 23	506753	Back Assembly w/ Latch Insert, Fixed Height w/ Adjustable Handle Tall, Right Focus  <i>If changing to a new hand tilt mechanism and serial number is prior to FCR0026599 and FCHD002333, this kit is required in addition to the hand tilt mechanism. If replacing this side back tube assembly and foot tilt or power tilt is present and serial number is prior to FCR0033747 and FCHD002467, both left and right back tube assemblies will need to be replaced.</i>	1
3, 7a, 8, 9b, 10, 11, 17, 18, 20, 23, 25	506754	Back Assembly w/ Latch Insert, Fixed Height w/ Adjustable Handle Short, Non-Folding Left Focus  <i>If changing to a new hand tilt mechanism and serial number is prior to FCR0026599 and FCHD002333, this kit is required in addition to the hand tilt mechanism. If replacing this side back tube assembly and foot tilt or power tilt is present and serial number is prior to FCR0033747 and FCHD002467, both left and right back tube assemblies will need to be replaced.</i>	1
3, 7a, 8, 9a, 10, 11, 17, 18, 20, 23, 25	506755	Back Assembly w/ Latch Insert, Fixed Height w/ Adjustable Handle Short, Non-Folding Right Focus  <i>If changing to a new hand tilt mechanism and serial number is prior to FCR0026599 and FCHD002333, this kit is required in addition to the hand tilt mechanism. If replacing this side back tube assembly and foot tilt or power tilt is present and serial number is prior to FCR0033747 and FCHD002467, both left and right back tube assemblies will need to be replaced.</i>	1
3, 7b, 8, 9b, 10, 11, 17, 18, 20, 23, 25	506756	Back Assembly w/ Latch Insert, Fixed Height w/ Adjustable Handle Tall, Non-Folding Left Focus  <i>If changing to a new hand tilt mechanism and serial number is prior to FCR0026599 and FCHD002333, this kit is required in addition to the hand tilt mechanism. If replacing this side back tube assembly and foot tilt or power tilt is present and serial number is prior to FCR0033747 and FCHD002467, both left and right back tube assemblies will need to be replaced.</i>	1
3, 7b, 8, 9a, 10, 11, 17, 18, 20, 23, 25	506757	Back Assembly w/ Latch Insert, Fixed Height w/ Adjustable Handle Tall, Non-Folding Right Focus  <i>If changing to a new hand tilt mechanism and serial number is prior to FCR0026599 and FCHD002333, this kit is required in addition to the hand tilt mechanism. If replacing this side back tube assembly and foot tilt or power tilt is present and serial number is prior to FCR0033747 and FCHD002467, both left and right back tube assemblies will need to be replaced.</i>	1
2 - 3, 5 - 6, 13, 20	114490	Lower Backrest Latch Assembly, Fixed Height w/ Adjustable Handle, Focus	1
1a	001071	Back Plate Std TILT	2

Item Number	Part Number	Description	Quantity
		<i>Quantity of 4 used with non-transit. Quantity of 2 used with transit.</i>	
1b	001421	Back Plate Transit Inner TILT <i>Quantity of 2 used with transit.</i>	1
2	001893	Latch Lever, Backrest	1
3, 6	503834	Cover Plate, Latch Insert Kit	1
4	001895	Latch Insert, Folding Backrest	1
5	001896	Spring, Backrest Latch	1
6	001897	Washer, Dual, PSA	2
12a	002578	Growth Strut, Stroller, Short	1
12b	002579	Growth Strut, Stroller, Long	1
12c	112003	Growth Strut, Stroller, Extra Long	1
12a, 21	503107	Growth Strut Assembly Short, Focus/Flip <i>Used on chairs 14"-17" wide</i>	1
12b, 21	503108	Growth Strut Assembly Long, Flip/Focus <i>Used on chairs 18"-22" wide</i>	1
12c, 21	114289	Growth Strut Assembly Extra Long, Focus <i>Used on chairs 23"-24" wide</i>	1
13	002513	Threaded Barrel, 5mm OD x M4	1
14	002738	Spacer .313 OD x .243 ID x 1.68 long	1
15	002594	Saddle, Dual, 1" OD X 1.75 SP	2
16	102694	Dowel Pin, M5 X 24, Blk Zn	1
19	101781	M6 x 50mm Partial Thread BHCS Blk ZC	4
20	100797	M6 x 40 BHCS BLK ZC	1
21	101843	M5 x 20 SHCS Blk Zn	1
22	101818	M4 x 10 FHCS BLKZC w/Patch	2
23	100658	M6 Nylock Nut Blk Zn	5
24	101861	Nylon Washer 5/16 x 1/2 x .03	1
25	002035	Insert, Backrest, Non-Folding	1
26	101815	M8 x 50 BHCS Blk Zn	1
27	100659	M8 Nylock Nut Blk Zn	1

Item Number	Part Number	Description	Quantity
28	100746	M6 Flat Washer Blk Zn	1
29	110524	Locking Hinge Button Assembly with Instruction <i>This kit contains the contents inside callout # 10. This assembly may not be compatible if chair was invoiced prior to 6/22/16</i>	1