



Quickie SR45™

January 2024

EIZ9

Mark For:

Submitting for:

Quote

Order

Date: _____

PO#: _____

Dealer Acct #: _____

Dealer: _____

ADDITIONAL SHIPPING INFORMATION

Dealer Contact: _____

Ship To: _____

Dealer Address: _____

Attention: _____

Dealer City: _____ ST: _____ ZIP: _____

Address: _____

Dealer Phone: () _____ Fax: () _____

Address: _____

Confirmation Email: _____

Ship To City: _____ ST: _____ ZIP: _____

Confirm Via: Fax Email

Ship To Phone: () _____ Fax: () _____

The **HCPCS CODES** herein are based on PDAC verification or interpretation of Medicare definitions and guidelines. Non-Medicare payers may accept alternative **HCPCS CODES**, including misc. codes to ensure access for their enrollees. The use of **HCPCS CODES** does not ensure coverage or payment.

✓	Option #	HCPCS	Definition	Price	✓	Option #	HCPCS	Definition	Price
---	----------	-------	------------	-------	---	----------	-------	------------	-------

1. FRAME

Base Model

<input type="checkbox"/>	194WM77	E1161	Quickie SR45 For 14" sizes use E1233	\$3,135.00
--------------------------	---------	-------	---	------------

Power Tilt

<input type="checkbox"/>	194PA53	K0108 E1002	Power Tilt (W/ Attendant & Tilt Cntrl) Tilt Control mounts to armrest <input type="checkbox"/> Left <input type="checkbox"/> Right (Rear Facing)	\$2,906.00
--------------------------	---------	----------------	--	------------

Frame Options

<input type="checkbox"/>	194FO3		Standard Base and Seat Frame Maximum Weight: 265 lbs.	NC
--------------------------	--------	--	--	----

Transit

<input type="checkbox"/>	194TO38	K0108	Transit Option	\$367.00
--------------------------	---------	-------	----------------	----------

Tilt Release

<input type="checkbox"/>	194TT12		Backrest Dual Trigger Cable Release (N/A w/ Power Tilt)	NC
<input type="checkbox"/>	194TT13		Foot Tilt Release - Mounted on Right Side of frame (N/A w/ Power Tilt)	\$57.00

Tilt Angle

<input type="checkbox"/>	194TA2		0° to 45°	NC
--------------------------	--------	--	-----------	----



Quickie SR45 shown with the JAY© J3™ backrest and JAY© 3™ cushion.



Quickie SR45 features IRIS™ (Intelligent Rotation In-Space) technology.

2. SIZE / SEATING

Frame Width			
<input type="checkbox"/>	194W5	14"	NC
<input type="checkbox"/>	194W6	15"	NC
<input type="checkbox"/>	194W7	16"	NC
<input type="checkbox"/>	194W8	17"	NC
<input type="checkbox"/>	194W9	18"	NC
<input type="checkbox"/>	194W10	19"	NC
<input type="checkbox"/>	194W11	E2201 20"	\$572.00

Seat Type			
<input type="checkbox"/>	194ST35	E2231	Standard Seat Pan \$229.00
<input type="checkbox"/>	194ST7		Omit Seat Pan NC

JAY Cushions (Optional)			
To order any JAY cushions on-chair, please see the JAY price list.			
Cushion name or part number must be filled out with desired width and depth			
<input type="checkbox"/>	194JC20	JAY Bundled Cushion Cushion Name or Part # _____ Width: _____ Depth: _____	Price List

Frame Depth Set Up (Fill out either A or B)

A. Setup By QUICKIE

A. Desired Seat Depth			
See Figure 1 for pricing, Figure 2 , Dimension A for measurement			
<input type="checkbox"/>	194SD7	14"	NC
<input type="checkbox"/>	194SD8	15"	NC
<input type="checkbox"/>	194SD9	16"	NC
<input type="checkbox"/>	194SD10	17"	Figure 1.1
<input type="checkbox"/>	194SD11	18"	Figure 1.1
<input type="checkbox"/>	194SD12	19"	Figure 1.1
<input type="checkbox"/>	194SD13	E2203 20"	Figure 1.1
<input type="checkbox"/>	194SD14	E2203 21"	Figure 1.1
<input type="checkbox"/>	194SD33	E2204 22"	Figure 1.1

B. Setup By DEPTH

B. Frame Depth Range			
<input type="checkbox"/>	194FL91	Short Seat Frame 14"-18"	NC
<input type="checkbox"/>	194FL92	Medium Seat Frame 16"-20"	NC
<input type="checkbox"/>	194FL93	Long Seat Frame 18"-22"	NC

B. Frame Depth			
<input type="checkbox"/>	194FD5	14" recommend short seat frame	NC
<input type="checkbox"/>	194FD6	15" recommend short seat frame	NC
<input type="checkbox"/>	194FD7	16" recommend short seat frame	NC
<input type="checkbox"/>	194FD8	17" recommend short seat frame	NC
<input type="checkbox"/>	194FD9	18" recommend medium seat frame	NC
<input type="checkbox"/>	194FD10	19" recommend medium seat frame	NC
<input type="checkbox"/>	194FD11	E2203 20" recommend long seat frame	\$628.00
<input type="checkbox"/>	194FD16	E2203 21" recommend long seat frame	\$628.00
<input type="checkbox"/>	194FD17	E2204 22" recommend long seat frame	\$1,030.00

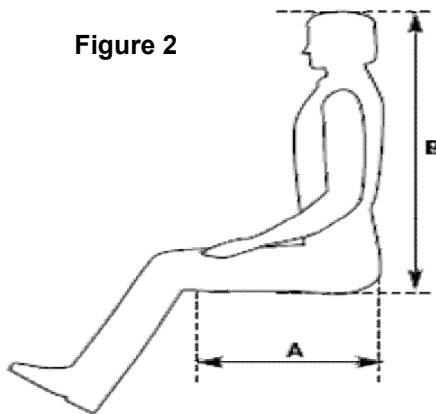
A. User's Seated Height

See Figure 2 , Dimension B. Distance from seat surface to top of the head.			
<input type="checkbox"/>	194SJ01	Less than 37"	NC
<input type="checkbox"/>	194SJ02	37" or Greater	NC

Figure 1

Desired Seat Depth	3	2	1	Flush	-1	-2
	14"	NC	NC	NC	NC	N/A
15"	NC	NC	NC	NC	N/A	N/A
16"	NC	NC	NC	NC	NC	N/A
17"	\$628	NC	NC	NC	NC	NC
18"	\$628	\$628	NC	NC	NC	NC
19"	\$1,030	\$628	\$628	NC	NC	NC
20"	N/A	\$1,030	\$628	\$628	NC	NC
21"	N/A	N/A	\$1,030	\$628	\$628	NC
22"	N/A	N/A	N/A	\$1,030	\$628	\$628

Figure 2

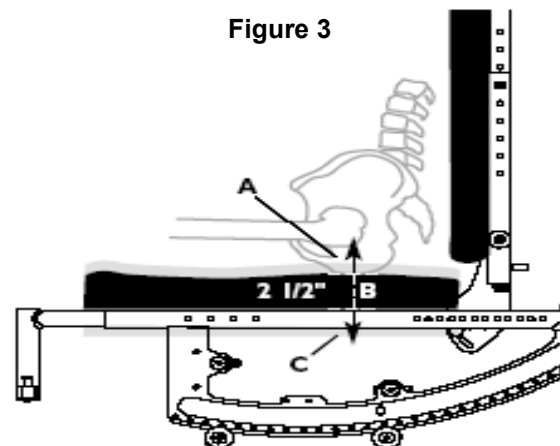


A. Top of Cushion to Seat Rail

See **FIGURE 3** Dimensions A & B. This measurement is taken from the top of the cushion to the upper surface of the seat rail. If the cushion has a wedged shape and/or has significant lateral pelvic contour, then determine the height of the cushion at the point where the ischial tuberosities would contact (not immerse) the cushion surface.

<input type="checkbox"/>	194CJ04	2 1/2" or Greater	NC
<input type="checkbox"/>	194CJ05	Less than 2 1/2"	NC
<input type="checkbox"/>	194CJ03	Below Seat Rail	NC

Figure 3



3. CASTERS / SEAT HEIGHT

Rear Wheel Size	CASTER SIZE					
	□ 4	□ 5	□ 6	□ 8x1	□ 8x1.5	□ 8x2
□ 12"		□ 16.0	□ 16.0			
		□ 16.5	□ 16.5			
		□ 17.0	□ 17.0			
		□ 17.5	□ 17.5	□ 17.5	□ 17.5	□ 17.5
□ 12" Low Poly		□ 15.0				
		□ 15.5	□ 16.0			
		□ 16.0	□ 16.5			
□ 16"		□ 14.0	□ 15.0			
		□ 15.0	□ 17.0	□ 17.0		
			□ 17.5	□ 17.5	□ 17.5	□ 17.5
			□ 18.0	□ 18.0	□ 18.0	
			□ 18.5	□ 18.5	□ 18.5	□ 18.5
					□ 19.0	
□ 20"		□ 16.0	□ 16.0			
		□ 16.5	□ 16.5			
		□ 17.0	□ 17.0		□ 17.5	
		□ 17.5	□ 17.5	□ 19.5	□ 20.0	□ 17.5
			□ 19.5	□ 20.0	□ 20.5	□ 19.5
□ 22"		□ 16.5	□ 16.5			
		□ 17.0	□ 17.0		□ 17.5	
		□ 17.5	□ 17.5	□ 17.5	□ 18.0	□ 17.5
		□ 18.0	□ 18.0	□ 18.0	□ 18.5	
□ 24"		□ 17.5	□ 17.5	□ 17.5	□ 18.0	
		□ 18.0	□ 18.0	□ 18.0	□ 18.5	□ 17.5
		□ 18.5	□ 18.5	□ 18.5	□ 19.0	□ 18.5
		□ 19.0	□ 19.0	□ 19.0	□ 19.5	

Casters				
□	194CW73		4" x 1.25" Semi Pneumatic	NC
□	194CW5		5" Low Profile Polyurethane	NC
□	194CW7	E2219	5" X 1.5" Semi Pneumatic	\$98.00
□	194CW34		6" Polyurethane	NC
□	194CW35	E2219	6"x 1.5" Semi Pneumatic	\$98.00
□	194CW32		8" Polyurethane	NC
□	194CW39	E2219	8"x 1.5" Semi Pneumatic	\$98.00
□	194CW36	E2214 E2215	8"x 2" Pneumatic	\$166.00
□	194CW100	E2214 K0108	8"x 2" Pneumatic w/Insert	\$286.00

4. REAR WHEELS / SEAT HEIGHT

Rear Wheel				
□	194RW13		12" Mag Wheel	NC
□	194RW14		16" Mag Wheel	NC
□	194RW3		20" Mag Wheel	NC
□	194RW8		22" Mag Wheel	NC
□	194RW1		24" Mag Wheel	NC

Handrim				
<i>12" and 16" wheels not available with handrims.</i>				
□	194HR1		Aluminum Anodized	NC
□	194HR4		Plastic Coated	\$126.00
□	194HR7		Omit Handrim	NC

Rear Wheel Tire				
□	194RT3		Full Polyurethane <i>N/A with 12" and 16"</i>	NC
□	194RT4		Low Polyurethane <i>Only available with 12" Mag Wheel</i>	NC
□	194RT1		Pneumatic	NC
□	194RT2	E2213 E2211	Pneumatic Airless Insert	\$98.00

Axle				
□	194AX1		Quick Release	NC
□	194AX44		Threaded	\$29.00

5. WHEEL LOCKS

Wheel Lock				
□	194WL8		Push To Lock	NC
□	194WL43		Rear Foot Operated Wheel Lock	\$86.00
□	194WL10		Omit Wheel Lock	NC

Wheel Lock Extension Handle				
<i>Not available with rear foot operated wheel lock</i>				
□	194EH7	E0961	Extension Handle (Pair)	\$86.00

6. HANGER AND FOOTREST

Hanger				
<i>Front mount hangers only available w/ Alum angle adj footplates</i>				
<input type="checkbox"/>	194H139		70° Swing In/Swing Out -Ext. Mount	NC
<input type="checkbox"/>	194H140		70° Swing In/Swing Out -Front Mount	NC
<input type="checkbox"/>	194H141		80° Swing In/Swing Out -Ext. Mount <i>N/A with all 8" casters</i>	NC
<input type="checkbox"/>	194H142		80° Swing In/Swing Out -Front Mount	NC
<input type="checkbox"/>	194H159	K0053	Articulating Hanger <i>N/A w/ Platform Flip Up and Alum Angle Adj Front Mount footplates.</i>	\$423.00
<input type="checkbox"/>	194H160	E0990	Elevating Hanger - Ext Mount <i>N/A w/ Platform Flip Up and Alum Angle Adj Front Mount footplates.</i>	\$360.00
<input type="checkbox"/>	194H161	E0990	Elevating Hanger - Front Mount <i>Only available w/ front mount alum angle adj footplates and 14"-22" width</i>	\$360.00
<input type="checkbox"/>	194H144		Omit Hanger	NC

Articulating / Elevating Hanger Cover				
<input type="checkbox"/>	194DI47		Neoprene Cover	\$389.00
<input type="checkbox"/>	194DI48		Gel Pad Cover	\$458.00

Extension Tube (NA w/ Front Mount Hangers)				
<i>See lower leg length matrix</i>				
<input type="checkbox"/>	194E1		Short (N/A with ELR)	NC
<input type="checkbox"/>	194E2		Medium	NC
<input type="checkbox"/>	194E5		Long	NC

Lower Leg Length Range Matrix					
Hanger	Ext Tube	Extension Mount			Footplate
		Composite			
		Alum Angle Adj	Aluminum		
70° Swing In/Out	Short	10.0" - 14.0"	10.2" - 14.1"	NA	
	Medium	11.0" - 15.9"	11.1" - 16.0"	NA	
	Long	12.9" - 17.8"	13.0" - 17.9"	NA	
80° Swing In/Out	Short	9.9" - 11.0"	10.1" - 13.7"	NA	
	Medium	11.0" - 15.5"	11.1" - 15.7"	NA	
	Long	12.7" - 17.3"	12.9" - 17.4"	NA	

All values are ± 0.25" and based on flat seat heights and do not account for the minimum 2" ground clearance or footplate thickness. Full range not available with all seat heights. ELR measurements taken with ELR fully

Front Mount Extension Tubes (NA w/ Extension Mount Hangers)				
<i>Optional, not required for Front Mount Hangers</i>				
<input type="checkbox"/>	194E23		2"	\$62.00
<input type="checkbox"/>	194E24		4" <i>N/A w/14", 15" Seat To Floor Ht, N/A w/80° Hangers & 8" casters</i>	\$62.00

Hanger Mount			
Ext	None	2"	4"
70°	3.1" - 8.8"	3.1" - 11.1"	3.1" - 13.0"
80°	3.3" - 9.2"	3.3" - 11.7"	3.3" - 13.7"
90°	2.7" - 8.7"	2.7" - 11.2"	2.7" - 13.2"

Hanger Mounts				
<i>Possible interference with 80° & 90° hangers</i>				
<input type="checkbox"/>	194MZ02		Standard Hanger Mount	STD
<input type="checkbox"/>	194MZ01		1" Offset Hanger Mount	\$35.00

Footplates				
<i>Heel loop not included, see Footplate Options section below</i>				
<input type="checkbox"/>	194F1		Composite	NC
<input type="checkbox"/>	194F5		Aluminum <i>Only Avail w/ Elevating Legrest</i>	NC
<input type="checkbox"/>	194F291	K0040	Aluminium Angle Adjustable	\$217.00

Footplate Options				
<input type="checkbox"/>	194HL1	E0951	Heel Loops	\$46.00
<input type="checkbox"/>	1945A02	E0952	Toe Loops (pair) <i>Only Avail w/ Angle Adj. Footplate</i>	\$22.00

Hanger	Extension	Seat Sling to Top of Footrest		Min Allowable FSH
		Min	Max	
ALR	Short	8 1/2	16	10 1/2
	Med	10	18	12
	Long	12	20	14
ELR Ext. Mount	Short	8	14 1/2	10
	Med	8	16 1/2	10
	Long	9 1/2	18 1/2	11 1/2
ELR Front Mount	No Ext (top hole)	3 1/2	7 1/2	5 1/2
	2" ext tube	7 1/4	10 1/4	9 1/4
	4" ext tube	9 1/4	12 1/4	11 1/4
	6" ext tube	11 1/4	14 1/4	13 1/4

7. BACKREST / SEATING

Backrest Type				
<input type="checkbox"/>	194BT3		Non Folding Backrest <i>N/A with Height Adjustable Back</i>	NC
<input type="checkbox"/>	194BT99		Folding Backrest <i>N/A with Reclining Backrest</i>	\$57.00

Backrest Options				
<input type="checkbox"/>	194OD19		Removable Extension <i>N/A with Height adj. back with adjustable stroller handle.</i>	\$98.00

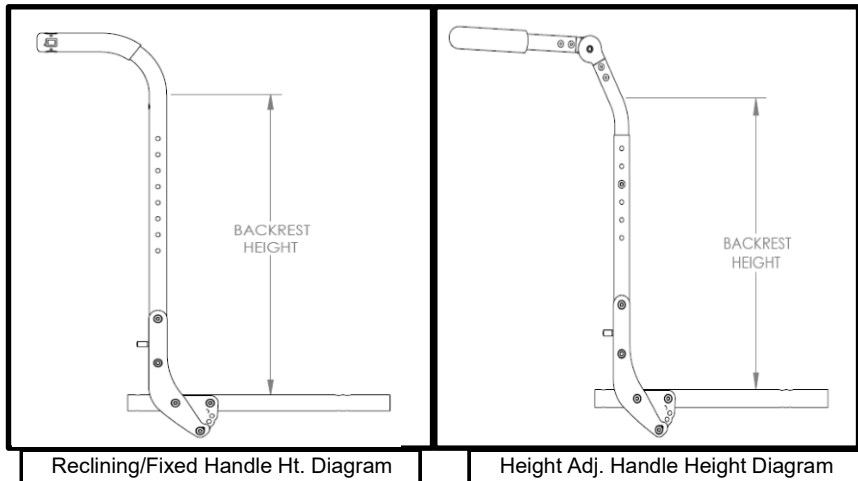
Backpost Style - Select only one option within A, B, or C

A. Stroller Handle Backpost (Fixed)				
<i>Folding Backrest adds 1" to the listed values.</i>				
<input type="checkbox"/>	194BP48		Low (18")	NC
<input type="checkbox"/>	194BP49		Medium (21")	NC
<input type="checkbox"/>	194BP50		Tall (24")	NC

B. Height Adjustable Back w/ Adj. Stroller Handles				
<input type="checkbox"/>	194BP51		Standard 15"-21"	NC
<input type="checkbox"/>	194BP52		Tall 18"-24"	NC

C. Reclining Backrest				
<i>Not available with 22" Deep Frame</i>				
<input type="checkbox"/>	194BP53	E1225	Medium (21")	\$1,012.00
<input type="checkbox"/>	194BP54	E1225	Tall (24")	\$1,012.00

JAY J3 Back				
<input type="checkbox"/>	194JB01		JAY J3 Back	See OF



7. BACKREST / SEATING (CONT)

A. Backrest Position (set up by Quickie)

See **FIGURE 4** Dimension C. The location of the backrest surface in relation to the front of the backpost. The measurement is taken from the front surface of the backpost to the deepest area of the backrest in contact with the user's body.

<input type="checkbox"/>	194BQ01	+3"	NC
<input type="checkbox"/>	194BQ05	+2"	NC
<input type="checkbox"/>	194BQ02	+1"	NC
<input type="checkbox"/>	194BQ03	Flush	NC
<input type="checkbox"/>	194BQ04	-1"	NC
<input type="checkbox"/>	194BQ06	-2"	NC

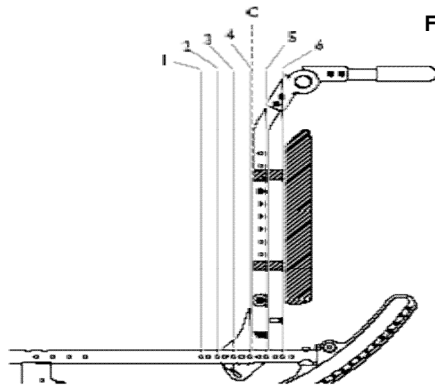


Figure 4

Back Type	
1	3" forward (+3")
2	2" forward (+2")
3	1" forward (+1")
4	Flush
5	1" rearward (-1")
6	2" rearward (-2")

8. ARMREST / SIDEGUARDS

Armrest

Armrests w/ Transfer Bar N/A w/ 14" Seat Depth

<input type="checkbox"/>	194AA100	E0973	Dual Post Height Adj No Transfer Bar	\$292.00
<input type="checkbox"/>	194AA101	E0973	Dual Post Height Adj w/Transfer Bar	\$303.00
<input type="checkbox"/>	194AA102	E0973	Dual Post Flip Back Height Adj No Transfer Bar	\$326.00
<input type="checkbox"/>	194AA103	E0973	Dual Post Flip Back Height Adj w/Transfer Bar	\$338.00
<input type="checkbox"/>	194AA104	E0973	Single Post Height Adjustable - Std	\$326.00
<input type="checkbox"/>	194AA105	E0973	Single Post Height Adjustable - Low	\$326.00
<input type="checkbox"/>	194AA14		Omit Armrest	NC

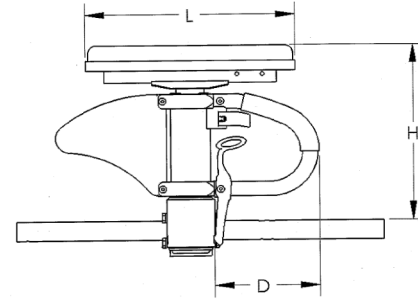
Armpad

<input type="checkbox"/>	194AM25	Desk	NC
<input type="checkbox"/>	194AM26	Full	NC

Armrest Receiver (Single Post Height Adjustable Only)

<input type="checkbox"/>	194AR17	Low	NC
<input type="checkbox"/>	194AR18	Std	NC

Armrest Matrix for Single Post					
Armrest Size	Transfer Tube Length D	Receiver	H Range	Pad Length L	
				Desk	Full
STD	8"	STD	10 3/4" to 15 3/4"	10 1/4"	14"
		LOW	8 3/4" to 13 3/4"		
LOW	5 1/4"	STD	9" to 13"		
		LOW	7 1/4" to 11 1/4"		



9. KEY OPTIONS AND ACCESSORIES

Anti Tips

<input type="checkbox"/>	194AT1	E0971	Anti Tips (Pair)	\$172.00
--------------------------	--------	-------	------------------	----------

Positioning Belt

<input type="checkbox"/>	194A141	E0978	1.5" Auto Buckle Universal w/Clamp	\$80.00
<input type="checkbox"/>	194A118	E0978	2" Aircraft Buckle Pad w/Clamp	\$136.00
<input type="checkbox"/>	194A120		Positioning Belt Clamps Only	\$57.00

JAY Positioning

<input type="checkbox"/>	194K1	E1020	JAY Lower Extremity S/A support <input type="checkbox"/> Left <input type="checkbox"/> Right Position	\$451.00
<input type="checkbox"/>	194K2		Omit Hanger <input type="checkbox"/> Left <input type="checkbox"/> Right	-\$10.00
<input type="checkbox"/>	194K7		Pad Size <input type="checkbox"/> 6" x 8" <input type="checkbox"/> 8" x 10"	NC

Misc.

<input type="checkbox"/>	194A1	Black Utility Backpack	\$86.00
<input type="checkbox"/>	194TS03	Tilt Stops	\$35.00
<input type="checkbox"/>	194A999	Quickie Water Bottle & Holder	\$62.00

10. COLOR

Standard Frame Colors			
<input type="checkbox"/>	194C140	Aztec Gold	NC
<input type="checkbox"/>	194C2	Black <i>(Not avail as base w/Zebra)</i>	NC
<input type="checkbox"/>	194C141	Black Cherry	NC
<input type="checkbox"/>	194C10	Black Opal	NC
<input type="checkbox"/>	194C38	Blue Opal	NC
<input type="checkbox"/>	194C36	Candy Blue	NC
<input type="checkbox"/>	194C14	Candy Purple	NC
<input type="checkbox"/>	194C35	Candy Red	NC
<input type="checkbox"/>	194C142	Electric Blue	NC
<input type="checkbox"/>	194C143	Evergreen	NC
<input type="checkbox"/>	194C44	Glossy White	NC
<input type="checkbox"/>	194C126	Glow	NC
<input type="checkbox"/>	194C144	Green Apple	NC
<input type="checkbox"/>	194C147	Hot Sparkle Pink	NC
<input type="checkbox"/>	194C148	Mauve Pink	NC
<input type="checkbox"/>	194C103	Rootbeer	NC
<input type="checkbox"/>	194C114	Sparkle Silver	NC
<input type="checkbox"/>	194C145	Sunrise Orange	NC
<input type="checkbox"/>	194C113	Titanium Color Paint	NC
<input type="checkbox"/>	194C8	Yellow	NC

Matte Frame Colors			
<input type="checkbox"/>	194C116	Matte Black	NC
<input type="checkbox"/>	194C151	Matte Black Cherry	NC
<input type="checkbox"/>	194C150	Matte Electric Blue	NC
<input type="checkbox"/>	194C149	Matte Evergreen	NC
<input type="checkbox"/>	194C152	Matte Purple	NC

Personalized Frame Color			
<input type="checkbox"/>	194C112	Desert Camouflage	\$451.00
<input type="checkbox"/>	194C43	Mossy Oak Camouflage	\$451.00
<input type="checkbox"/>	194C42	Stars & Stripes	\$451.00
<input type="checkbox"/>	194C108	Zebra <i>(Choose above base color) Std with White unless above base paint is chosen N/A w/ Blk, Matte Black, Blk Opal, Titanium)</i>	\$451.00

Additional Options Through Built for Me

To inquire about any unique personalized Quickie products, contact: Phone: (800) 333-4000, Fax: (800) 333 9011





JAY® Signature Series Backrest and Accessories

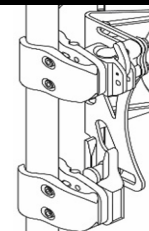
Note: Not all sizes and configurations shown below, for full offering visit www.sunrisemedical.com
When ordering mark the part number desired and it will be added to the order as a separate line item.

JAY BACKREST

JAY J3 Posterior (PA) BACK - 2.2" Contour Depth

	Shell Height		Shell Width									
Mid Thoracic (MT)	12.0" (S)	J3PAMTSxxFS	<input type="checkbox"/> 12	\$664	<input type="checkbox"/> 14	\$664	<input type="checkbox"/> 16	\$664	<input type="checkbox"/> 18	\$664	<input type="checkbox"/> 20	\$664
		J3PAMTSxxTH	<input type="checkbox"/> 12	\$664	<input type="checkbox"/> 14	\$664	<input type="checkbox"/> 16	\$664	<input type="checkbox"/> 18	\$664	<input type="checkbox"/> 20	\$664
Upper Thoracic (UT)	16.5" (S)	J3PAUTSxxFS	<input type="checkbox"/> 12	\$664	<input type="checkbox"/> 14	\$664	<input type="checkbox"/> 16	\$664	<input type="checkbox"/> 18	\$664	<input type="checkbox"/> 20	\$664
		J3PAUTSxxTH	<input type="checkbox"/> 12	\$664	<input type="checkbox"/> 14	\$664	<input type="checkbox"/> 16	\$664	<input type="checkbox"/> 18	\$664	<input type="checkbox"/> 20	\$664
	18.0" (M)	J3PAUTMxxFS			<input type="checkbox"/> 14	\$664	<input type="checkbox"/> 16	\$664	<input type="checkbox"/> 18	\$664	<input type="checkbox"/> 20	\$664
		J3PAUTMxxTH			<input type="checkbox"/> 14	\$664	<input type="checkbox"/> 16	\$664	<input type="checkbox"/> 18	\$664	<input type="checkbox"/> 20	\$664
	19.5" (T)	J3PAUTTxxFS			<input type="checkbox"/> 14	\$664	<input type="checkbox"/> 16	\$664	<input type="checkbox"/> 18	\$664	<input type="checkbox"/> 20	\$664
		J3PAUTTxxTH			<input type="checkbox"/> 14	\$664	<input type="checkbox"/> 16	\$664	<input type="checkbox"/> 18	\$664	<input type="checkbox"/> 20	\$664
Shoulder Height (SH)	21.0" (S)	J3PASHSxxFS			<input type="checkbox"/> 14	\$664	<input type="checkbox"/> 16	\$664	<input type="checkbox"/> 18	\$664	<input type="checkbox"/> 20	\$664
		J3PASHSxxTH			<input type="checkbox"/> 14	\$664	<input type="checkbox"/> 16	\$664	<input type="checkbox"/> 18	\$664	<input type="checkbox"/> 20	\$664
	22.5" (M)	J3PASHMxxFS					<input type="checkbox"/> 16	\$664	<input type="checkbox"/> 18	\$664	<input type="checkbox"/> 20	\$664
		J3PASHMxxTH					<input type="checkbox"/> 16	\$664	<input type="checkbox"/> 18	\$664	<input type="checkbox"/> 20	\$664
	24.0" (T)	J3PASHTxxFS							<input type="checkbox"/> 18	\$664	<input type="checkbox"/> 20	\$664
		J3PASHTxxTH							<input type="checkbox"/> 18	\$664	<input type="checkbox"/> 20	\$664

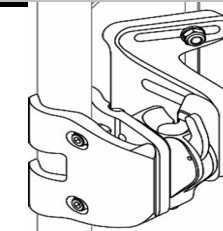
FS Mounting Hardware



JAY J3 Posterior Lateral (PL) BACK - 3" Contour Depth

	Shell Height		Shell Width									
Mid Thoracic (MT)	15.0" (T)	J3PLMTTxxFS	<input type="checkbox"/> 12	\$766	<input type="checkbox"/> 14	\$766	<input type="checkbox"/> 16	\$766	<input type="checkbox"/> 18	\$766	<input type="checkbox"/> 20	\$766
		J3PLMTTxxTH	<input type="checkbox"/> 12	\$766	<input type="checkbox"/> 14	\$766	<input type="checkbox"/> 16	\$766	<input type="checkbox"/> 18	\$766	<input type="checkbox"/> 20	\$766
Upper Thoracic (UT)	16.5" (S)	J3PLUTSxxFS	<input type="checkbox"/> 12	\$766	<input type="checkbox"/> 14	\$766	<input type="checkbox"/> 16	\$766	<input type="checkbox"/> 18	\$766	<input type="checkbox"/> 20	\$766
		J3PLUTSxxTH	<input type="checkbox"/> 12	\$766	<input type="checkbox"/> 14	\$766	<input type="checkbox"/> 16	\$766	<input type="checkbox"/> 18	\$766	<input type="checkbox"/> 20	\$766
	18.0" (M)	J3PLUTMxxFS			<input type="checkbox"/> 14	\$766	<input type="checkbox"/> 16	\$766	<input type="checkbox"/> 18	\$766	<input type="checkbox"/> 20	\$766
		J3PLUTMxxTH			<input type="checkbox"/> 14	\$766	<input type="checkbox"/> 16	\$766	<input type="checkbox"/> 18	\$766	<input type="checkbox"/> 20	\$766
	19.5" (T)	J3PLUTTxxFS			<input type="checkbox"/> 14	\$766	<input type="checkbox"/> 16	\$766	<input type="checkbox"/> 18	\$766	<input type="checkbox"/> 20	\$766
		J3PLUTTxxTH			<input type="checkbox"/> 14	\$766	<input type="checkbox"/> 16	\$766	<input type="checkbox"/> 18	\$766	<input type="checkbox"/> 20	\$766
Shoulder Height (SH)	21.0" (S)	J3PLSHSxxFS			<input type="checkbox"/> 14	\$766	<input type="checkbox"/> 16	\$766	<input type="checkbox"/> 18	\$766	<input type="checkbox"/> 20	\$766
		J3PLSHSxxTH			<input type="checkbox"/> 14	\$766	<input type="checkbox"/> 16	\$766	<input type="checkbox"/> 18	\$766	<input type="checkbox"/> 20	\$766
	22.5" (M)	J3PLSHMxxFS					<input type="checkbox"/> 16	\$766	<input type="checkbox"/> 18	\$766	<input type="checkbox"/> 20	\$766
		J3PLSHMxxTH					<input type="checkbox"/> 16	\$766	<input type="checkbox"/> 18	\$766	<input type="checkbox"/> 20	\$766
	24.0" (T)	J3PLSHTxxFS							<input type="checkbox"/> 18	\$766	<input type="checkbox"/> 20	\$766
		J3PLSHTxxTH							<input type="checkbox"/> 18	\$766	<input type="checkbox"/> 20	\$766

TH Mounting Hardware



JAY J3 Posterior Deep (PD) BACK - 6" Contour Depth

	Shell Height		Shell Width									
Mid Thoracic (MT)	15.0" (T)	J3PDMTTxxFS	<input type="checkbox"/> 12	\$910	<input type="checkbox"/> 14	\$910	<input type="checkbox"/> 16	\$910	<input type="checkbox"/> 18	\$910	<input type="checkbox"/> 20	\$910
		J3PDMTTxxTH	<input type="checkbox"/> 12	\$910	<input type="checkbox"/> 14	\$910	<input type="checkbox"/> 16	\$910	<input type="checkbox"/> 18	\$910	<input type="checkbox"/> 20	\$910
Upper Thoracic (UT)	18.0" (M)	J3PDUTMxxFS			<input type="checkbox"/> 14	\$910	<input type="checkbox"/> 16	\$910	<input type="checkbox"/> 18	\$910	<input type="checkbox"/> 20	\$910
		J3PDUTMxxTH			<input type="checkbox"/> 14	\$910	<input type="checkbox"/> 16	\$910	<input type="checkbox"/> 18	\$910	<input type="checkbox"/> 20	\$910
Shoulder Height (SH)	21.0" (S)	J3PDSHSxxFS			<input type="checkbox"/> 14	\$910	<input type="checkbox"/> 16	\$910	<input type="checkbox"/> 18	\$910	<input type="checkbox"/> 20	\$910
		J3PDSHSxxTH			<input type="checkbox"/> 14	\$910	<input type="checkbox"/> 16	\$910	<input type="checkbox"/> 18	\$910	<input type="checkbox"/> 20	\$910

JAY J3 Back Whitmyer Headrest

AXYS Mount and Pad

<input type="checkbox"/>	J3HEDX8	E0955/E1028	AXYS Headrest with 8" Plush Pad	\$440.00
<input type="checkbox"/>	J3HEDX10	E0955/E1028	AXYS Headrest with 10" Plush Pad	\$440.00
<input type="checkbox"/>	J3HEDX14	E0955/E1028	AXYS Headrest with 14" Plush Pad	\$455.00
<input type="checkbox"/>	J3HEDXAAPN	E0955/E1028	AXYS with Adj-a-Plush Narrow Pad	\$555.00
<input type="checkbox"/>	J3HEDXAAPS	E0955/E1028	AXYS with Adj-a-Plush Std Pad	\$555.00

LINX Mount and Pad

<input type="checkbox"/>	J3HEDL8	E0955/E1028	LINX Headrest with 8" Plush Pad	\$510.00
<input type="checkbox"/>	J3HEDL10	E0955/E1028	LINX Headrest with 10" Plush Pad	\$510.00
<input type="checkbox"/>	J3HEDL14	E0955/E1028	LINX Headrest with 14" Plush Pad	\$525.00
<input type="checkbox"/>	J3HEDLAAPN	E0955/E1028	LINX with Adj-a-Plush Narrow Pad	\$625.00
<input type="checkbox"/>	J3HEDLAAPS	E0955/E1028	LINX with Adj-a-Plush Std Pad	\$625.00

JAY J3 Back Laterals Swing Away Laterals With Pad - Pair

<input type="checkbox"/>	JLATSA44PR	E0956/E1028	SwingAway Lat with 4"x4" Pad (PR)	\$892.00	<input type="checkbox"/>	JLATSA64PR	E0956/E1028	SwingAway Lat with 6"x4" Pad (PR)	\$892.00
<input type="checkbox"/>	JLATSA45PR	E0956/E1028	SwingAway Lat with 4"x5" Pad (PR)	\$892.00	<input type="checkbox"/>	JLATSA65PR	E0956/E1028	SwingAway Lat with 6"x5" Pad (PR)	\$892.00
<input type="checkbox"/>	JLATSA46PR	E0956/E1028	SwingAway Lat with 4"x6" Pad (PR)	\$892.00	<input type="checkbox"/>	JLATSA66PR	E0956/E1028	SwingAway Lat with 6"x6" Pad (PR)	\$892.00



JAY® Signature Series Cushions

Note: Not all sizes and configurations shown below, for full offering visit www.sunrisemedical.com.
When ordering mark the part number desired and it will be added to the order as a separate line item.

JAY CUSHIONS

JAY Fusion Cushion				
<input type="checkbox"/>	JFUSION1416	E2622	JAY Fusion 14" x 16"	\$505.00
<input type="checkbox"/>	JFUSION1616	E2622	JAY Fusion 16" x 16"	\$505.00
<input type="checkbox"/>	JFUSION1618	E2622	JAY Fusion 16" x 18"	\$505.00
<input type="checkbox"/>	JFUSION1620	E2622	JAY Fusion 16" x 20"	\$505.00
<input type="checkbox"/>	JFUSION1717	E2622	JAY Fusion 17" x 17"	\$505.00
<input type="checkbox"/>	JFUSION1816	E2622	JAY Fusion 18" x 16"	\$505.00
<input type="checkbox"/>	JFUSION1818	E2622	JAY Fusion 18" x 18"	\$505.00
<input type="checkbox"/>	JFUSION1820	E2622	JAY Fusion 18" x 20"	\$505.00
<input type="checkbox"/>	JFUSION2018	E2622	JAY Fusion 20" x 18"	\$505.00
<input type="checkbox"/>	JFUSION2020	E2622	JAY Fusion 20" x 20"	\$505.00
<input type="checkbox"/>	JFUSION2220	E2623	JAY Fusion 22" x 20"	\$600.00

JAY J2 Cushion				
<input type="checkbox"/>	2108-MJ	E2622	JAY J2 14" x 16"	\$514.00
<input type="checkbox"/>	2105-MJ	E2622	JAY J2 15.5" x 16"	\$514.00
<input type="checkbox"/>	2106-MJ	E2622	JAY J2 15.5" x 18"	\$514.00
<input type="checkbox"/>	2107-MJ	E2622	JAY J2 15.5" x 20"	\$542.00
<input type="checkbox"/>	2117-MJ	E2622	JAY J2 17" x 17"	\$514.00
<input type="checkbox"/>	2100-MJ	E2622	JAY J2 18" x 16"	\$514.00
<input type="checkbox"/>	2101	E2622	JAY J2 18" x 18"	\$514.00
<input type="checkbox"/>	2103-MJ	E2622	JAY J2 18" x 20"	\$543.00
<input type="checkbox"/>	2118-MJ	E2622	JAY J2 20" x 18"	\$543.00
<input type="checkbox"/>	2102-MJ	E2622	JAY J2 20" x 20"	\$628.00

JAY Fusion Cushion w/ Single Valve Air Insert				
<input type="checkbox"/>	JFUSION1416AS	E2622	JAY Fusion 14" x 16"	\$567.00
<input type="checkbox"/>	JFUSION1616AS	E2622	JAY Fusion 16" x 16"	\$567.00
<input type="checkbox"/>	JFUSION1618AS	E2622	JAY Fusion 16" x 18"	\$567.00
<input type="checkbox"/>	JFUSION1620AS	E2622	JAY Fusion 16" x 20"	\$567.00
<input type="checkbox"/>	JFUSION1717AS	E2622	JAY Fusion 17" x 17"	\$567.00
<input type="checkbox"/>	JFUSION1816AS	E2622	JAY Fusion 18" x 16"	\$567.00
<input type="checkbox"/>	JFUSION1818AS	E2622	JAY Fusion 18" x 18"	\$567.00
<input type="checkbox"/>	JFUSION1820AS	E2622	JAY Fusion 18" x 20"	\$567.00
<input type="checkbox"/>	JFUSION2018AS	E2622	JAY Fusion 20" x 18"	\$567.00
<input type="checkbox"/>	JFUSION2020AS	E2622	JAY Fusion 20" x 20"	\$567.00
<input type="checkbox"/>	JFUSION2220AS	E2623	JAY Fusion 22" x 20"	\$661.00

JAY J2 Deep Contour Cushion				
<input type="checkbox"/>	2446	E2622	JAY J2 Deep Contour 14" x 16"	\$526.00
<input type="checkbox"/>	2466	E2622	JAY J2 Deep Contour 16" x 16"	\$526.00
<input type="checkbox"/>	2468	E2622	JAY J2 Deep Contour 16" x 18"	\$526.00
<input type="checkbox"/>	2460	E2622	JAY J2 Deep Contour 16" x 20"	\$538.00
<input type="checkbox"/>	2477	E2622	JAY J2 Deep Contour 17" x 17"	\$526.00
<input type="checkbox"/>	2486	E2622	JAY J2 Deep Contour 18" x 16"	\$526.00
<input type="checkbox"/>	2488	E2622	JAY J2 Deep Contour 18" x 18"	\$526.00
<input type="checkbox"/>	2480	E2622	JAY J2 Deep Contour 18" x 20"	\$550.00
<input type="checkbox"/>	2408	E2622	JAY J2 Deep Contour 20" x 18"	\$550.00
<input type="checkbox"/>	2400-MJ	E2622	JAY J2 Deep Contour 20" x 20"	\$664.00
<input type="checkbox"/>	2428	E2623	JAY J2 Deep Contour 22" x 18"	\$664.00

JAY Fusion Cushion w/ Dual Valve Air Insert				
<input type="checkbox"/>	JFUSION1416AD	E2622	JAY Fusion 14" x 16"	\$572.00
<input type="checkbox"/>	JFUSION1616AD	E2622	JAY Fusion 16" x 16"	\$572.00
<input type="checkbox"/>	JFUSION1618AD	E2622	JAY Fusion 16" x 18"	\$572.00
<input type="checkbox"/>	JFUSION1620AD	E2622	JAY Fusion 16" x 20"	\$572.00
<input type="checkbox"/>	JFUSION1717AD	E2622	JAY Fusion 17" x 17"	\$572.00
<input type="checkbox"/>	JFUSION1816AD	E2622	JAY Fusion 18" x 16"	\$572.00
<input type="checkbox"/>	JFUSION1818AD	E2622	JAY Fusion 18" x 18"	\$572.00
<input type="checkbox"/>	JFUSION1820AD	E2622	JAY Fusion 18" x 20"	\$572.00
<input type="checkbox"/>	JFUSION2018AD	E2622	JAY Fusion 20" x 18"	\$572.00
<input type="checkbox"/>	JFUSION2020AD	E2622	JAY Fusion 20" x 20"	\$572.00
<input type="checkbox"/>	JFUSION2220AD	E2623	JAY Fusion 22" x 20"	\$667.00

JAY X2 Cushion				
<input type="checkbox"/>	JX21416	E2622	JAY X2 14" x 16"	\$491.00
<input type="checkbox"/>	JX21616	E2622	JAY X2 16" x 16"	\$491.00
<input type="checkbox"/>	JX21618	E2622	JAY X2 16" x 18"	\$491.00
<input type="checkbox"/>	JX21620	E2622	JAY X2 16" x 20"	\$491.00
<input type="checkbox"/>	JX21717	E2622	JAY X2 17" x 17"	\$491.00
<input type="checkbox"/>	JX21816	E2622	JAY X2 18" x 16"	\$491.00
<input type="checkbox"/>	JX21818	E2622	JAY X2 18" x 18"	\$491.00
<input type="checkbox"/>	JX21820	E2622	JAY X2 18" x 20"	\$491.00
<input type="checkbox"/>	JX22020	E2622	JAY X2 20" x 20"	\$491.00

JAY Union Cushion				
<input type="checkbox"/>	JU1416	E2607	JAY UNION 14" x 16"	\$510.00
<input type="checkbox"/>	JU1616	E2607	JAY UNION 16" x 16"	\$510.00
<input type="checkbox"/>	JU1618	E2607	JAY UNION 16" x 18"	\$510.00
<input type="checkbox"/>	JU1620	E2607	JAY UNION 16" x 20"	\$510.00
<input type="checkbox"/>	JU1717	E2607	JAY UNION 17" x 17"	\$510.00
<input type="checkbox"/>	JU1816	E2607	JAY UNION 18" x 16"	\$510.00
<input type="checkbox"/>	JU1818	E2607	JAY UNION 18" x 18"	\$510.00
<input type="checkbox"/>	JU1820	E2607	JAY UNION 18" x 20"	\$510.00
<input type="checkbox"/>	JU2018	E2607	JAY UNION 20" x 18"	\$510.00
<input type="checkbox"/>	JU2020	E2607	JAY UNION 20" x 20"	\$510.00
<input type="checkbox"/>	JU2220	E2608	JAY UNION 22" x 20"	\$623.00

JAY Ion Cushion				
<input type="checkbox"/>	JION1416	E2607	JAY ION 14" x 16"	\$453.00
<input type="checkbox"/>	JION1616	E2607	JAY ION 16" x 16"	\$453.00
<input type="checkbox"/>	JION1618	E2607	JAY ION 16" x 18"	\$453.00
<input type="checkbox"/>	JION1620	E2607	JAY ION 16" x 20"	\$453.00
<input type="checkbox"/>	JION1717	E2607	JAY ION 17" x 17"	\$453.00
<input type="checkbox"/>	JION1816	E2607	JAY ION 18" x 16"	\$453.00
<input type="checkbox"/>	JION1818	E2607	JAY ION 18" x 18"	\$453.00
<input type="checkbox"/>	JION1820	E2607	JAY ION 18" x 20"	\$453.00
<input type="checkbox"/>	JION2018	E2607	JAY ION 20" x 18"	\$453.00
<input type="checkbox"/>	JION2020	E2607	JAY ION 20" x 20"	\$453.00
<input type="checkbox"/>	JION2220	E2608	JAY ION 22" x 20"	\$567.00

JAY Union Reduced Profile Cushion				
<input type="checkbox"/>	JU1416RP	E2607	JAY Union RP 14" x 16"	\$510.00
<input type="checkbox"/>	JU1616RP	E2607	JAY Union RP 16" x 16"	\$510.00
<input type="checkbox"/>	JU1618RP	E2607	JAY Union RP 16" x 18"	\$510.00
<input type="checkbox"/>	JU1620RP	E2607	JAY Union RP 16" x 20"	\$510.00
<input type="checkbox"/>	JU1717RP	E2607	JAY Union RP 17" x 17"	\$510.00

<input type="checkbox"/>	JU1816RP	E2607	JAY Union RP 18" x 16"	\$510.00
<input type="checkbox"/>	JU1818RP	E2607	JAY Union RP 18" x 18"	\$510.00
<input type="checkbox"/>	JU1820RP	E2607	JAY Union RP 18" x 20"	\$510.00
<input type="checkbox"/>	JU2018RP	E2607	JAY Union RP 20" x 18"	\$510.00
<input type="checkbox"/>	JU2020RP	E2607	JAY Union RP 20" x 20"	\$510.00

