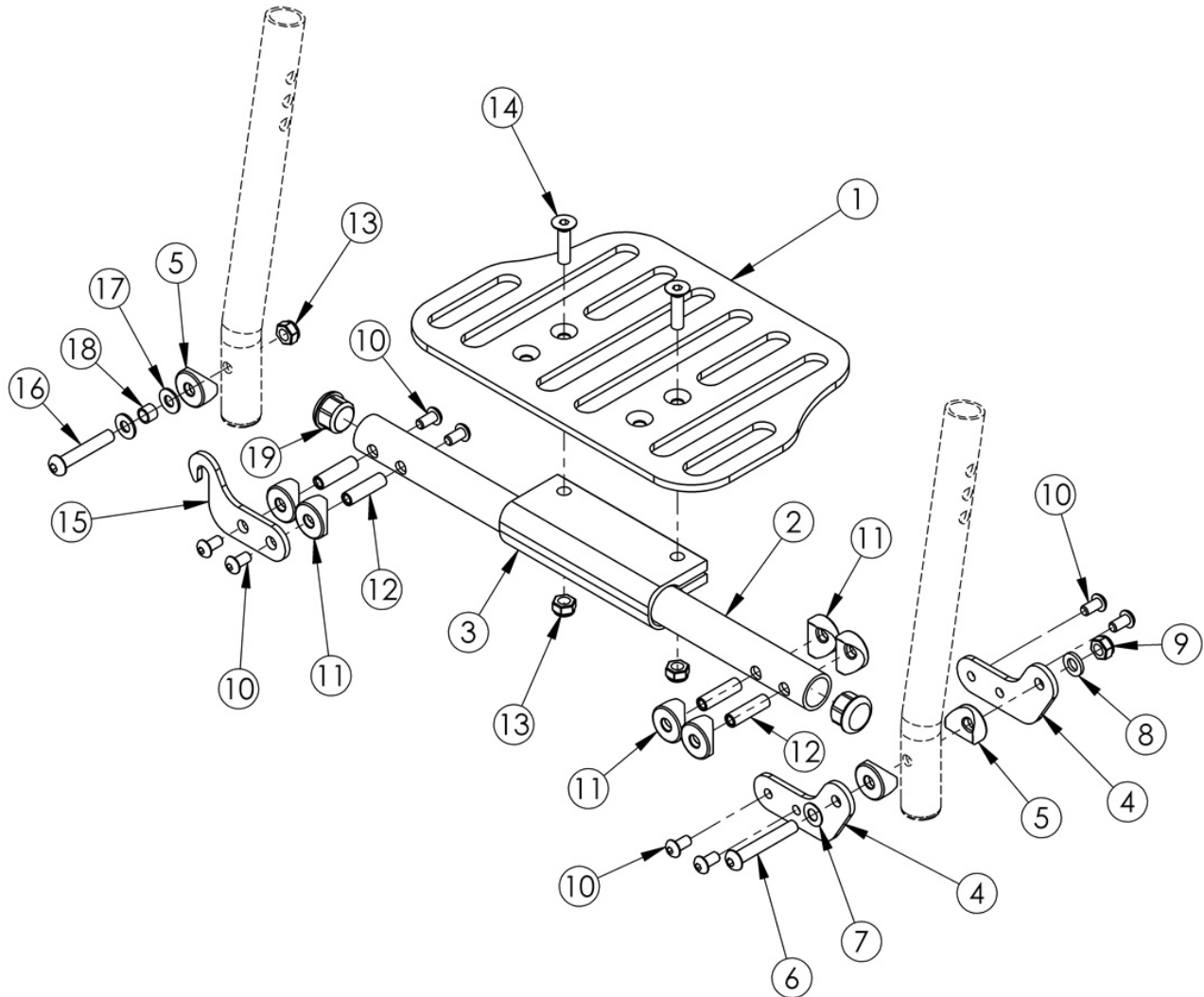


Spark Footplates - One Piece Flip Up



Assemblies are based on seat width. If changing footplate style, new extension tubes may be needed. Only compatible with extension tube hangers.

Item Number	Part Number	Description	Quantity
3-19	112894	Hardware Assembly for One Piece Flip Up Footplate	1
1, 2a, 3-19	500517	Footrest Assembly One Piece Flip 14" Wide	1
1, 2b, 3-19	500518	Footrest Assembly One Piece Flip 15" Wide	1
1, 2c, 3-19	500519	Footrest Assembly One Piece Flip 16" Wide	1

Item Number	Part Number	Description	Quantity
1	000226	Footrest Platform Angle Adjustable 8"	1
2a	000357	14" Footrest Tube, One Piece Flip Up	1
2b	000358	15" Footrest Tube, One Piece Flip Up	1
2c	000359	16" Footrest Tube, One Piece Flip Up	1
3	100789	Footrest Adjustable Clamp 5"	1
4	000355	Flip Up Footrest Pivot	2
5	000053	Saddle 3/4"	3
6	100797	M6 x 40 BHCS BLK ZC	1
7	101455	M6 Belleville Washer (.252 x .551 x .050)	1
8	100746	M6 Flat Washer Blk Zn	1
9	101456	M6 Ovl Top L/N ZC	1
10	100669	M5 x 10 BTN SHCS BLKZC w/Patch	8
11	000353	Saddle - 3/4" .266 ID	6
12	000073	M5 x 24 Threaded Barrel	4
13	100658	M6 Nylock Nut Blk Zn	3
14	100662	M6 x 25 FSHCS BLK ZC	2
15	000356	Flip Up Footrest Latch	1
16	101811	M6 x 35 BHCS Blk Zn	1
17	100831	1/2" Washer OD .040" Thick	2
18	000354	Flip Up Ferrule	1
19	100638	Tube End Plug 3/4"	2