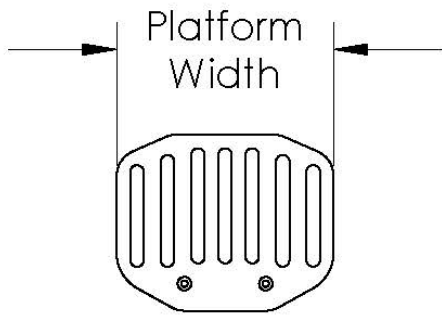
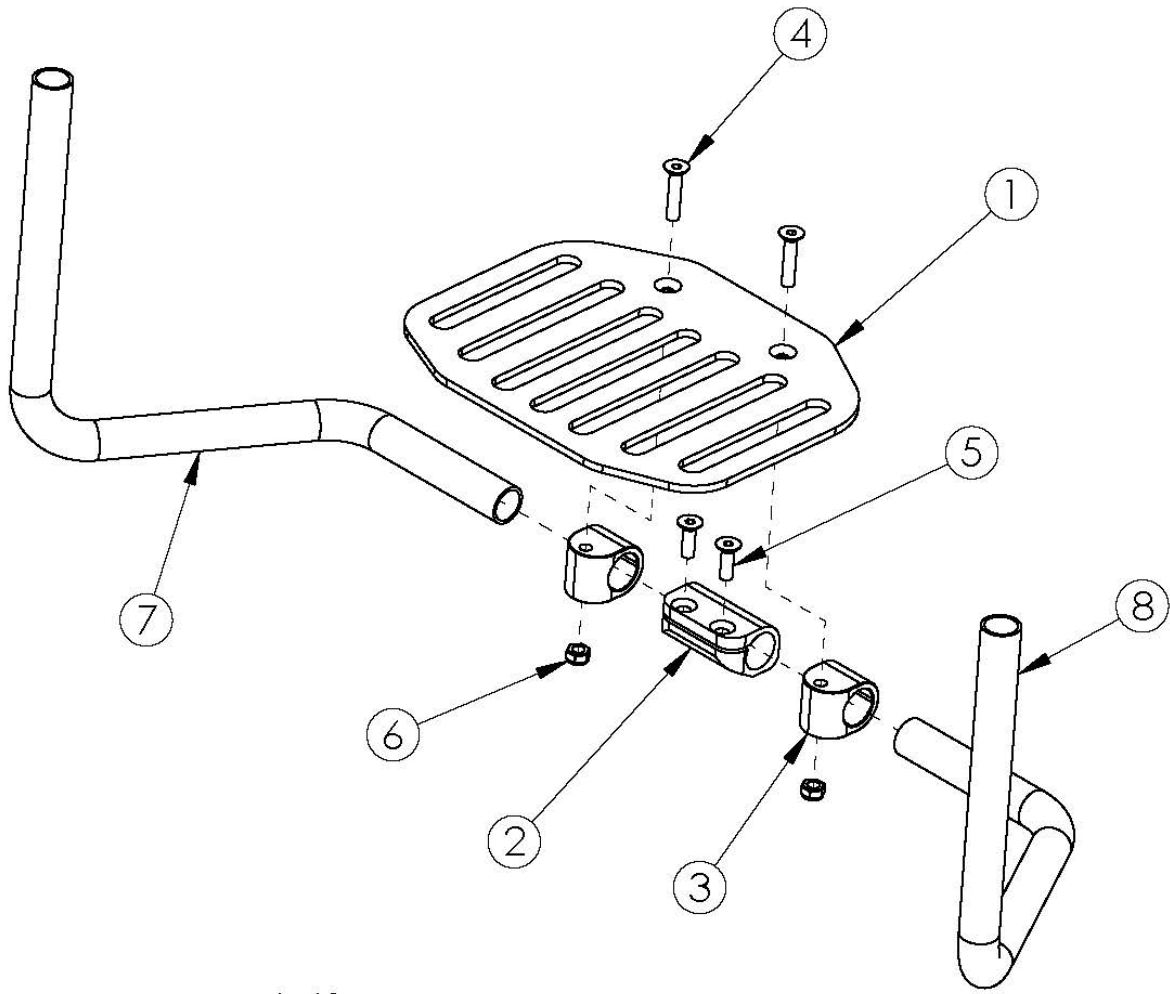


Clik Angle Adjustable Flip Under



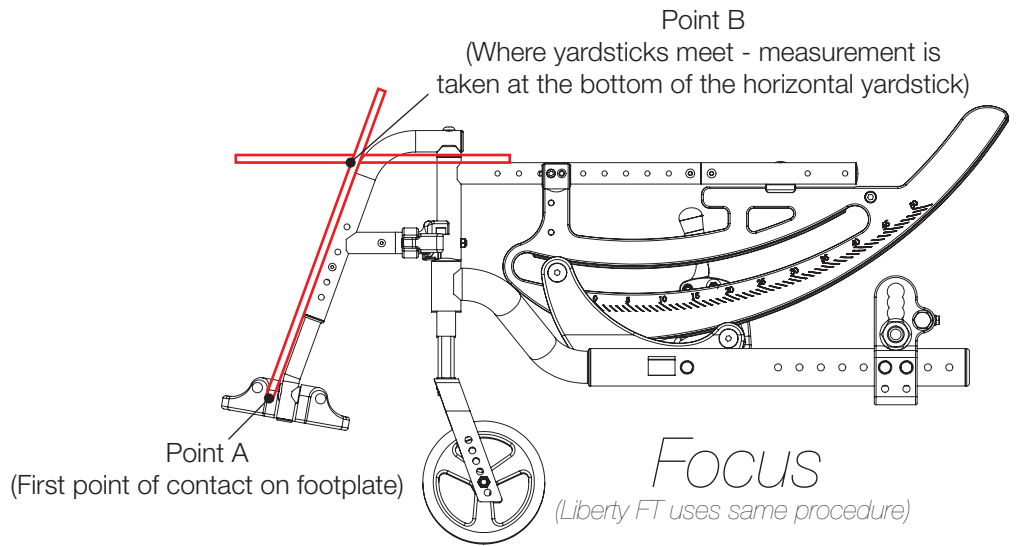
Part No.	Platform Width	For Seat Widths	
		Standard Frame	Offset Frame
000956	8.0"	N/A	8"
001324	9.0"	12"	9"
000957	10.0"	13"-18"	10"-18"

For attaching footrest hardware, reference the Klik Side Frame pages (serial numbers CLK005270 and after) or Discontinued Side Frame pages (serial numbers prior to CLK005270) If changing width of chair, new footrest tubes are required.

Item Number	Part Number	Description	Quantity
1a, 2 - 6, 7b, 8b	503098	Footrest Assembly Angle Adjustable Flip Under 8" Wide Offset Klik	1
1b, 2 - 6, 7a, 8a	503099	Footrest Assembly Angle Adjustable Flip Under 9" Wide Offset Klik	1
1b, 2 - 6, 7b, 8b	503100	Footrest Assembly Angle Adjustable Flip Under 12" Wide Klik	1
1c, 2 - 6, 7a, 8a	503101	Footrest Assembly Angle Adjustable Flip Under 13" - 18" Wide / 10" - 18" Offset Klik	1
1a	000956	Angle Adjustable Flip Under Footrest Platform 8" Rigid	1
1b	001324	Angle Adjustable Flip Under Footrest Platform 9" Rigid	1
1c	000957	Angle Adjustable Flip Under Footrest Platform 10" Rigid	1
2	000953	Footrest Flip Stop Clamp Rigid	1
3	000954	Footrest Flip Pivot Rigid	2
4	101733	M6 x 35 CLS10.9 DIN7991 FSHCS BLKZC	2
5	100866	M6 x 20 CLS12.9 DIN7991 FSHCS Blk Zc w/Patch	2
6	100658	M6 Nylock Nut Blk Zn	2
7a	000952R	Angle Adjustable Flip Under Footrest Tube Right	1
7b	001309	Angle Adjustable Flip Under Footrest Tube Offset Right	1
8a	000952L	Angle Adjustable Flip Under Footrest Tube Left	1
8b	001308	Angle Adjustable Flip Under Footrest Tube Offset Left	1

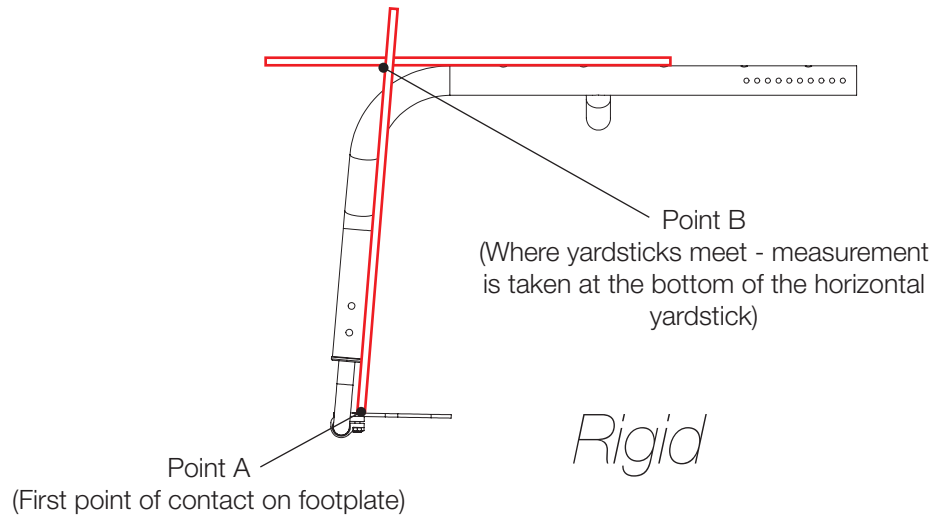
Distance between Point A and Point B = Footplate Length

NOTE: The yardstick on the top plane of the seat frame must lie flat against frame. The yardstick going from the footplate to the second yardstick must be square against the hanger tube.



Distance between Point A and Point B = Footplate Length

NOTE: The yardstick on the top plane of the seat frame must lie flat against frame. The yardstick going from the footplate to the second yardstick must be square against the front tube.



Distance between Point A and Point B = Footplate Length

NOTE: The yardstick on the top plane of the hanger must lie flat against hanger. The yardstick going from the footplate to the second yardstick must be square against the hanger tube.

