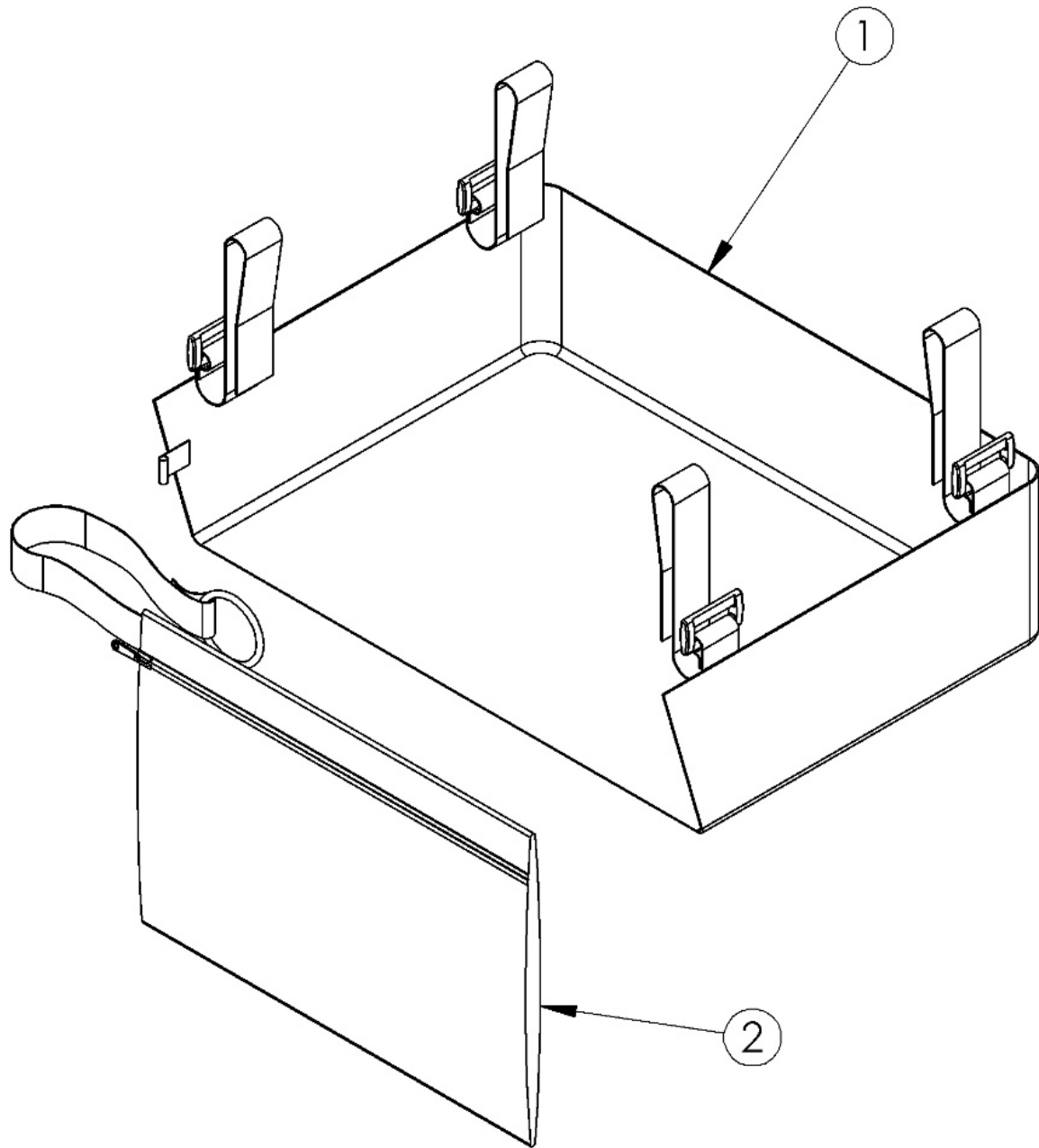


Rigid Under Chair Carrier and Removable Bag



Item Number	Part Number	Description	Quantity
1, 2	100266	Under Chair Carrier & Removable Bag, Rigid	1