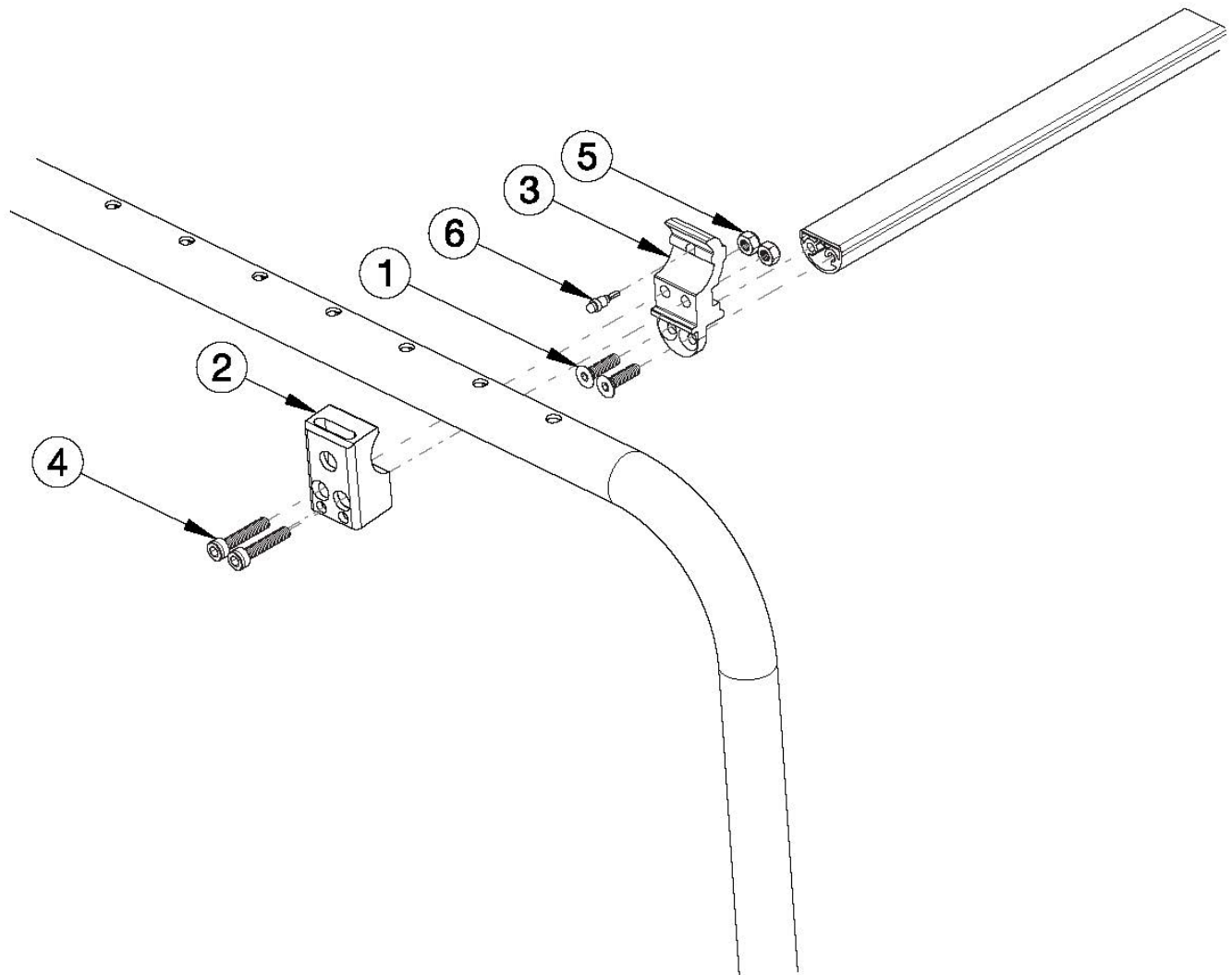


Clik Composite Side Guard Receiver



Color anodized versions of this receiver may not contain the two counterbored holes at the bottom of the receiver

Item Number	Part Number	Description	Quantity
1, 2a, 3 - 6	502516	Side Guard Clamp Black Anodized and Hardware Kit CLIK	1
1, 2b, 3 - 6	502516_ _ _	Color Anodized Side Guard Clamp and Hardware Kit CLIK	1
1	102624	M6 X 22 FHCS BLK ZC	2
2a	001778	Side Guard and Ped T-Arm Clamp Black Anodized, Clik	1
2b	001778_ _ _	Side Guard Clamp and Ped T-Arm Color Anodized LW	1
3	001799	Crosstube Mount LW	1

Item Number	Part Number	Description	Quantity
4	102627	M6 X 30 SHCS BLK ZC	2
5	100658	M6 Nylock Nut Blk Zn	2

Color Anodizing Samples

