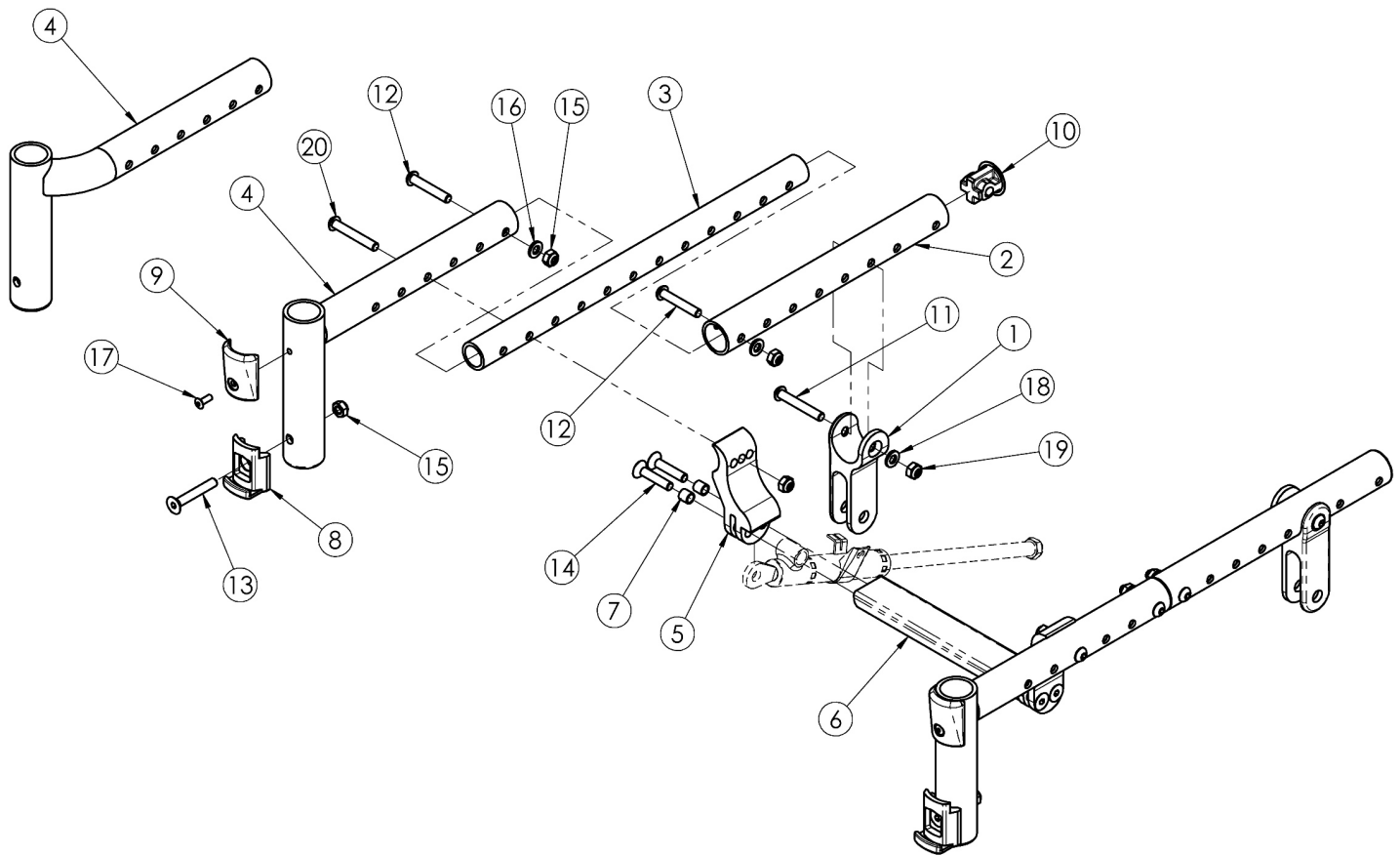


Flip Seat Frame



See Flip for Leckey Seat Frame page if replacing parts for this model. Color for the Seat Frame Assemblies and Seat Tubes is the Frame Color of the chair.

Item Number	Part Number	Description	Quantity
1-3a, 4a, 5, 7-20	502807_ _ _ _	Seat Frame Assembly Std, Short <i>This kit is for a pair of front seat tubes and attaching hardware</i>	1
1-3a, 4b, 5, 7-20	502808_ _ _ _	Seat Frame Assembly Std, Medium <i>This kit is for a pair of front seat tubes and attaching hardware</i>	1
1-3a, 4c, 5, 7-20	502809_ _ _ _	Seat Frame Assembly Std, Long <i>This kit is for a pair of front seat tubes and attaching hardware</i>	1
1-3a, 4d, 4e, 5, 7, 8, 10-16, 18-20	502810_ _ _ _	Seat Frame Assembly Offset, Short <i>This kit is for a pair of front seat tubes and attaching hardware</i>	1
1-3b, 4d, 4e, 5, 7, 8, 10-16, 18-20	505616_ _ _ _	Seat Frame Assembly Offset, Short, 12" Seat Depth <i>This kit is for a pair of front seat tubes and attaching hardware</i>	1

Item Number	Part Number	Description	Quantity
1-3a, 4g, 4g, 5, 7, 8, 10-16, 18-20	502811_ _ _	Seat Frame Assembly Offset, Medium <i>This kit is for a pair of front seat tubes and attaching hardware</i>	1
1-3a, 4h, 4i, 5, 7, 8, 10-16, 18-20	502812_ _ _	Seat Frame Assembly Offset, Long <i>This kit is for a pair of front seat tubes and attaching hardware</i>	1
1	001878	Tilt Yoke	2
2	001876_ _ _	Seat Tube, Rear	2
3a	001877	Ped Seat Frame Growth Tube, 13.5"	2
3b	003667	Ped Seat Frame Growth Tube, 12.5" <i>Used on 12" Deep Chairs with Offset Hangers</i>	2
4a, 9, 17	502978_ _ _	Front Seat Tube Std, Short	2
4b, 9, 17	502979_ _ _	Front Seat Tube Std, Medium	2
4c, 9, 17	502980_ _ _	Front Seat Tube Std, Long	2
4d	502981_ _ _	Front Seat Tube Offset, Short Right	1
4e	502982_ _ _	Front Seat Tube Offset, Short Left	1
4f	502983_ _ _	Front Seat Tube Offset, Medium Right	1
4g	502984_ _ _	Front Seat Tube Offset, Medium Left	1
4h	502985_ _ _	Front Seat Tube Offset, Long Right	1
4i	502986_ _ _	Front Seat Tube Offset, Long Left	1
5	001867	Mechlock Mount	2
6a	001879	Strut Tube Seat 10 Wide	1
6b	001880	Strut Tube Seat 11 Wide	1
6c	001881	Strut Tube Seat 12 Wide	1
6d	001882	Strut Tube Seat 13 Wide	1
6e	001883	Strut Tube Seat 14 Wide	1
6f	001884	Strut Tube Seat 15 Wide	1
6g	001885	Strut Tube Seat 16 Wide	1
6h	001886	Strut Tube Seat 17 Wide	1
6i	001887	Strut Tube Seat 18 Wide	1

Item Number	Part Number	Description	Quantity
7	001156	Pivot Bushing Tilt	4
8	000336	Latch Block	2
10	001028	Tube Plug 1" x .824"	2
11	101592	M6 x 45 CLS10.9 DIN7991 FHCS BLKZC	4
12	101811	M6 x 35 BHCS Blk Zn	4
13	101819	M6 x 40 FHCS Blk Zn	2
14	102802	M6 x 30, FHCS, Blk Zn w/Patch	4
15	100658	M6 Nylock Nut Blk Zn	10
16	100746	M6 Flat Washer Blk Zn	4
18	003079	M6 Conical Washer	2
19	100558	M6 Nyl Ins Domed Cap L/N Zc	2
20	100797	M6 x 40 BHCS BLK ZC	2

Matte Finish	
Code	Color Name
CGM	Charcoal Gray
EGM	Emerald Green
GGM	Graphite Gray*
IBM	Iridescent Burgundy
INM	Iridescent Navy
AGM	Military Green**
RRM	Retro Red
RBM	Royal Blue
SBM	Shadow Black
SWM	Smooth White

* Discontinued Color

** Formerly called Army Green

Gloss Finish	
Code	Color Name
BLK	Black
BLU	Blue
SKY	Blue Skies
BRO	Bright Orange*
PNK	Bubblegum Pink
BUR	Burgundy*
CBL	Candy Blue
PUR	Candy Purple
RED	Candy Red
COP	Copper
DPR	Deep Purple*
EBL	Electric Blue*
GRN	Forest Green*
FUS	Fuchsia*
GSM	Granny Smith
MTF	Metallic Fuchsia*
MOR	Metallic Orange
ORG	Orange*
SAP	Sapphire*
SIL	Silver
TEA	Teal
YLW	Yellow
FLM	Graphic Image Transfer