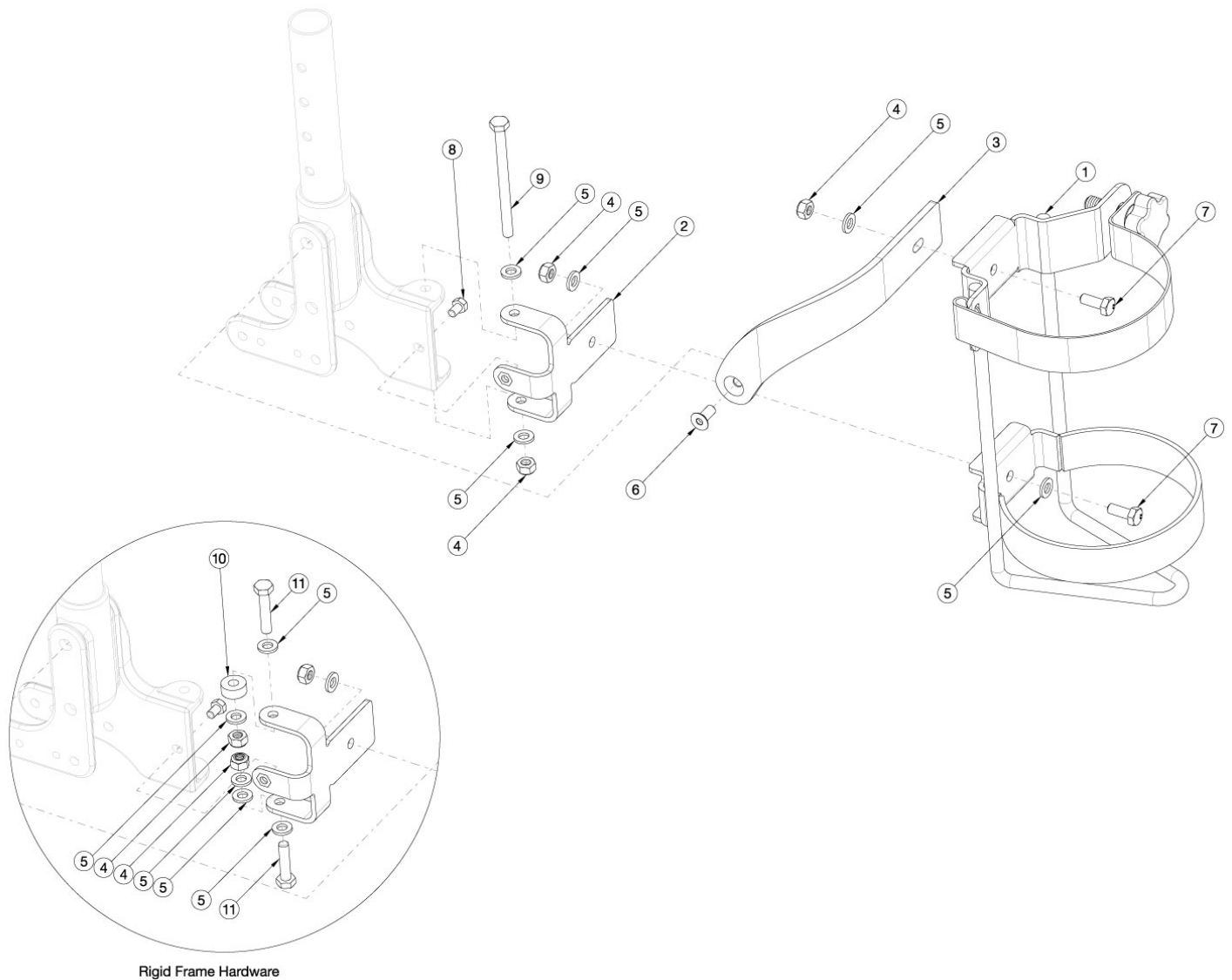


Liberty O2 Holder



| Item Number | Part Number | Description | Quantity |
|--------------|-------------|--|----------|
| 1-9 | 506200 | O2 Holder Assembly, Liberty | 1 |
| 4, 5, 10, 11 | 118062 | O2 Holder Rigid Hardware Kit, Liberty <i>Used with Rigid Liberty Frame Only</i> | 1 |
| 1 | 001416 | O2 Holder | 1 |
| 2 | 003338 | Bracket, O2 Holder, Lower | 1 |
| 3 | 003339 | Bracket, O2 Holder, Upper | 1 |
| 4 | 100658 | M6 Nylock Nut Blk Zn | 3 |
| 5 | 100746 | M6 Flat Washer Blk Zn | 5 |

| Item Number | Part Number | Description | Quantity |
|-------------|-------------|---|----------|
| 6 | 101594 | M6 x 14 CLS10.9 DIN7991 FSHCS BLKZC w/Patch | 1 |
| 7 | 102327 | M6 x 16 HHCS Blk Zn | 2 |
| 8 | 103026 | M5 x 8 HHCS, Blk Zn, w/Patch | 1 |
| 9 | 103027 | M6 x 80 HHCS, Partial Thread, Blk Zn | 1 |
| 10 | 116440 | Spacer, .59 OD x .251 ID x .250 L | 1 |
| 11 | 116854 | HHCS, M6x1, 0x30, CLS10.9, PT, BLZ, DIN931 | 1 |