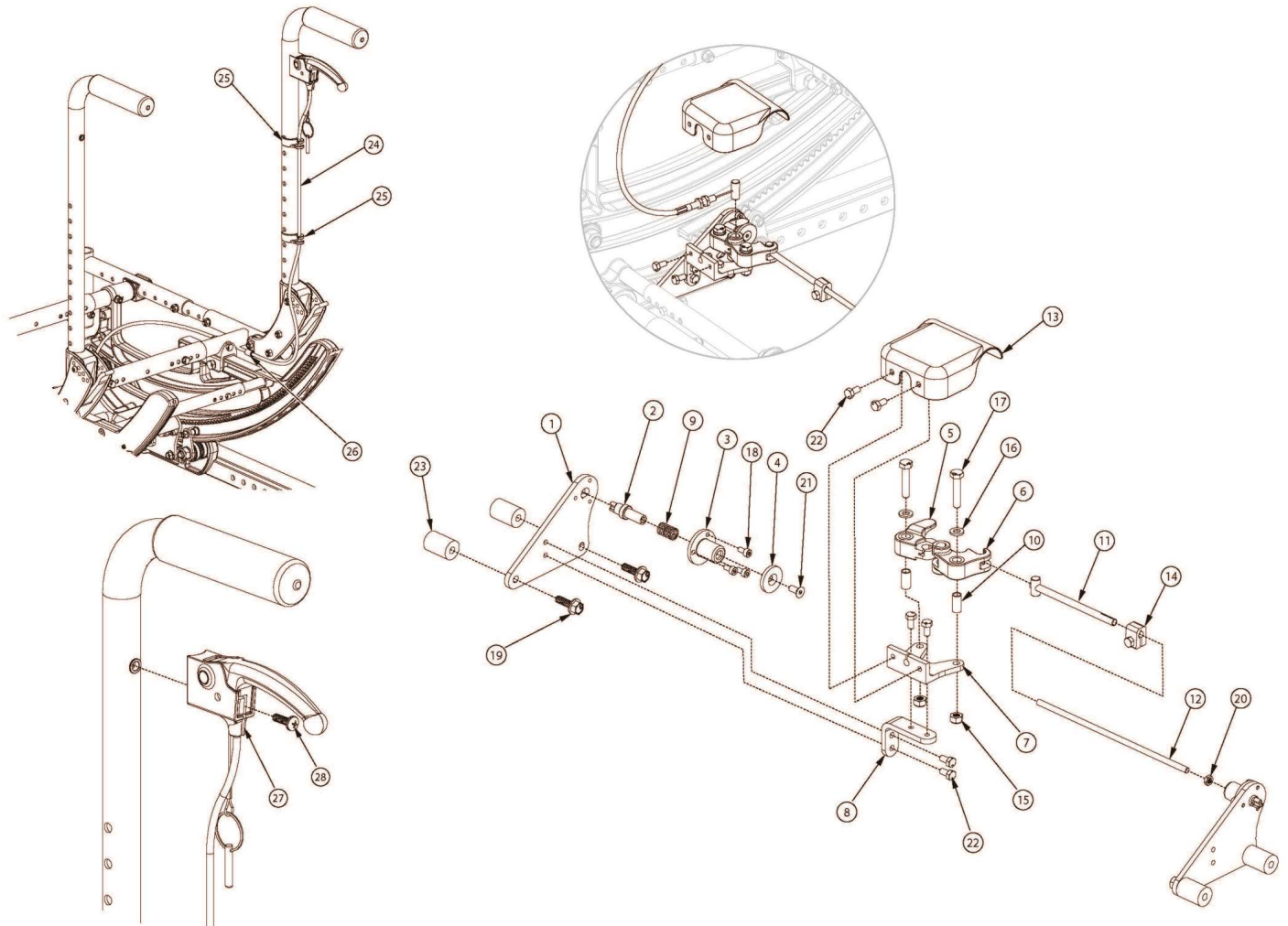


# (Discontinued 4) Focus CR Hand Tilt Mechanism Stroller Handle Back



This Focus CR Hand Tilt is discontinued and was used on chairs starting with a March 5th, 2018 invoice date with serial numbers prior to FCR0026599 and FCHD002333.

Item Number	Part Number	Description	Quantity	Retail
1-11, 12a, 13-18, 19a, 20-22	506246	Single Tilt Hand/Foot Kit, Right, Small Width Range, Focus <i>For complete tilt mechanism, select appropriate Hand Tilt Cable / Trigger Kit in addition to this kit</i>	1	\$204.53
1-11, 12b, 13-18, 19a, 20-22	506247	Single Tilt Hand/Foot Kit, Right, Medium Width Range, Focus <i>For complete tilt mechanism, select appropriate Hand Tilt Cable / Trigger Kit in addition to this kit</i>	1	\$226.25
1-11, 12c, 13-18, 19a, 20-22	506248	Single Tilt Hand/Foot Kit, Right, Large Width Range, Focus <i>For complete tilt mechanism, select appropriate Hand Tilt Cable / Trigger Kit in addition to this kit</i>	1	\$209.07

Item Number	Part Number	Description	Quantity	Retail
1-11, 12a, 13-18, 19a, 20-22	506266	Single Tilt Hand/Foot Kit, Left, Small Width Range, Focus <i>For complete tilt mechanism, select appropriate Hand Tilt Cable / Trigger Kit in addition to this kit</i>	1	\$204.53
1-11, 12b, 13-18, 19a, 20-22	506267	Single Tilt Hand/Foot Kit, Left, Medium Width Range, Focus <i>For complete tilt mechanism, select appropriate Hand Tilt Cable / Trigger Kit in addition to this kit</i>	1	\$226.25
1-11, 12c, 13-18, 19a, 20-22	506268	Single Tilt Hand/Foot Kit, Left, Large Width Range, Focus <i>For complete tilt mechanism, select appropriate Hand Tilt Cable / Trigger Kit in addition to this kit</i>	1	\$209.07
1-11, 12a, 13-18, 19b, 20-23	506249	Single Tilt Hand/Foot Kit, Right, Small Width Range, Heavy Duty, Focus <i>For complete tilt mechanism, select appropriate Hand Tilt Cable / Trigger Kit in addition to this kit</i>	1	\$316.85
1-11, 12b, 13-18, 19b, 20-23	506250	Single Tilt Hand/Foot Kit, Right, Medium Width Range, Heavy Duty, Focus <i>For complete tilt mechanism, select appropriate Hand Tilt Cable / Trigger Kit in addition to this kit</i>	1	\$316.85
1-11, 12c, 13-18, 19b, 20-23	506251	Single Tilt Hand/Foot Kit, Right, Large Width Range, Heavy Duty, Focus <i>For complete tilt mechanism, select appropriate Hand Tilt Cable / Trigger Kit in addition to this kit</i>	1	\$316.85
1-11, 12a, 13-18, 19b, 20-23	506269	Single Tilt Hand/Foot Kit, Left, Small Width Range, Heavy Duty, Focus <i>For complete tilt mechanism, select appropriate Hand Tilt Cable / Trigger Kit in addition to this kit</i>	1	\$316.85
1-11, 12b, 13-18, 19b, 20-23	506270	Single Tilt Hand/Foot Kit, Left, Medium Width Range, Heavy Duty, Focus <i>For complete tilt mechanism, select appropriate Hand Tilt Cable / Trigger Kit in addition to this kit</i>	1	\$316.85
1-11, 12c, 13-18, 19b, 20-23	506271	Single Tilt Hand/Foot Kit, Left, Large Width Range, Heavy Duty, Focus <i>For complete tilt mechanism, select appropriate Hand Tilt Cable / Trigger Kit in addition to this kit</i>	1	\$316.85
24a, 25-28	506254	Hand Tilt Cable/Trigger Kit with Short Cable, Stroller Handle/Recline, Focus <i>Used with Short Stroller Handle Back Post</i>	1	\$136.58
24b, 25-28	506255	Hand Tilt Cable/Trigger Kit with Tall Cable, Stroller Handle/Recline, Focus <i>Used with Tall Stroller Handle Back Post</i>	1	\$137.49
11, 12a, 14, 20	506263	Linkage Rod Assembly, Tilt, Small <i>Used with Small Width Range</i>	1	\$38.24
11, 12b, 14, 20	506264	Linkage Rod Assembly, Tilt, Medium <i>Used with Medium Width Range</i>	1	\$38.45
11, 12c, 14, 20	506265	Linkage Rod Assembly, Tilt, Large <i>Used with Large Width Range</i>	1	\$39.03
27, 28	110139	Lever Assembly with Lanyard Vertical Tilt	1	\$34.00
1	004280	Mount Plate, Tilt Lock	2	\$14.49
2	004281	Pin, Plunger, Tilt Lock	2	\$61.67

Item Number	Part Number	Description	Quantity	Retail
3	004282	Housing, Plunger, Tilt Lock	2	\$10.51
4	004283	Thrust Washer, Tilt Lock	1	\$7.25
1-4, 9, 18, 19a	506259	Tilt Lock Mechanism Single Hand/Foot, Slave Right	1	\$98.65
1-4, 9, 18, 19a	506260	Tilt Lock Mechanism Single Hand/Foot, Slave Left	1	\$98.65
1-4, 9, 18, 19b, 23	506261	Tilt Lock Mechanism Single Hand/Foot, Heavy Duty, Slave Right	1	\$154.97
1-4, 9, 18, 19b, 23	506262	Tilt Lock Mechanism Single Hand/Foot, Heavy Duty, Slave Left	1	\$154.97
5	004284	Cam Lever, Drive, Tilt Lock	1	\$32.35
6	004285	Cam Lever, Slave, Tilt Lock	1	\$32.35
7	004286	Mount, Linkage, Dual	1	\$46.23
8	004289	Bracket, Mount, Tilt Lock	1	\$15.54
9	004290	Spring, Comp, .42OD x 1.0L x .038W	2	\$1.05
10	004291	Bushing, Pivot, Tilt Lock	2	\$6.83
11	004294	Tube Assembly, Slave, Tilt Lock	1	\$12.92
12a	004295	Rod, Slave, Small, 4.96" <i>Used with Small Width Range</i>	1	\$7.99
12b	004296	Rod, Slave, Medium, 6.96" <i>Used with Medium Width Range</i>	1	\$8.19
12c	004297	Rod, Slave, Large, 8.96" <i>Used with Large Width Range</i>	1	\$8.77
13	004298	Cover, Tilt Lock	1	\$13.03
14	004308	Shaft Clamp, 6mm x M5	1	\$16.81
15	100658	M6 Nylock Nut Blk Zn	2	\$1.05
16	100746	M6 Flat Washer Blk Zn	2	\$1.58
17	101824	M6 x 30 HHCS Blk Zn	2	\$2.10
18	102800	M4 x 8mm SHCS Blk Zn	6	\$0.53
19a	103510	M6 x 1 x 20 HHCS SFLG CLS8.8 Blk Zn DIN6921 <i>Used with Standard Weight Capacity</i>	4	\$1.05
19b	103511	M6 x 1 x 45 HHCS SFLG CLS8.8 Blk Zn DIN6921 <i>Used with Heavy Duty Option</i>	4	\$3.15
20	103514	M5 x 0.8 Jam Nut BLK ZN DIN439B	1	\$0.53

Item Number	Part Number	Description	Quantity	Retail
21	103522	M5 x 0.8 x 12 FHCS CLS 10.9 Nyl Blk Zn DIN7991	1	\$1.05
22	200427	M5 x 10 CLS8.8 HHCS ZC w/Patch DIN933	6	\$0.53
23	001405	Spacer, .69OD x .24ID x .1.01Lg <i>Used with Heavy Duty Option</i>	4	\$26.05
24a	004300	Cable, Tilt Short <i>Used with Short Stroller Handle Back Post</i>	1	\$104.01
24b	004301	Cable, Tilt, Medium <i>Used with Tall Stroller Handle Back Post</i>	1	\$106.11
25	001117	Cable Clip 1"	2	\$3.83
26	001239	P-Clip 3/16"	1	\$6.30
28	100734	M5 x 16 PHMS ZC	1	\$1.58