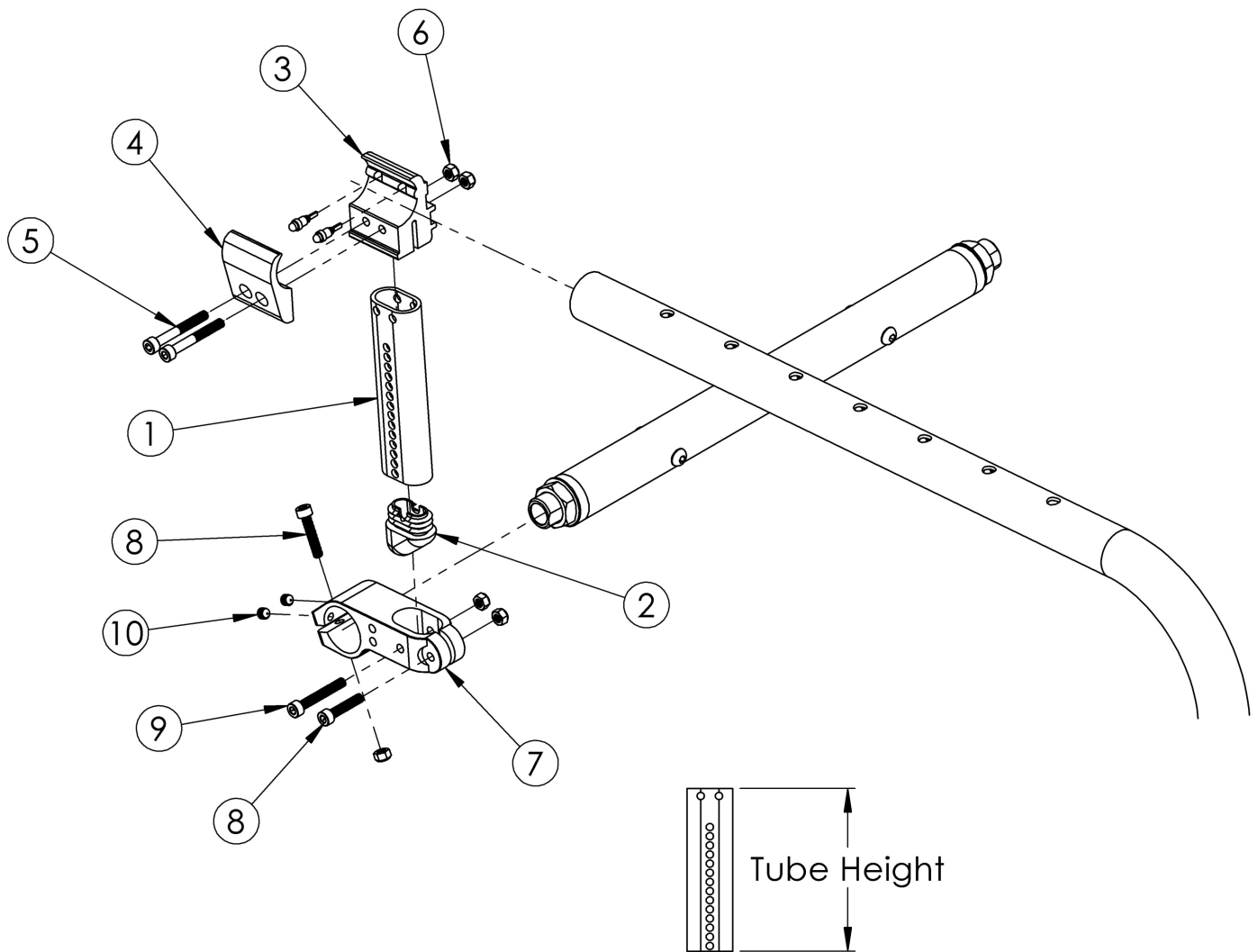


Clik Camber Mount Towers



Part No.	Height
000923	2.45"
000924	4.45"
000925	6.45"
000926	8.95"

Please see Drive Shaft Guide on Clik One Arm Drive Quick Release page to determine if standard clamps (part 111822) or outboard clamps (part 003366) are needed. Outboard clamps are included in all OAD Quick Release Retrofit Kits.

Item Number	Part Number	Description	Quantity
1a	000923	Camber Mount Tower Short Black Anodized Rigid	1
1b	000923_ _ _	Color Anodized Camber Mount Tower Short Rigid	1
1c	000924	Camber Mount Tower Medium Black Anodized Rigid	1

Item Number	Part Number	Description	Quantity
1d	000924_ _ _	Color Anodized Camber Mount Tower Medium Rigid	1
1e	000925	Camber Mount Tower Long Black Anodized Rigid	1
1f	000925_ _ _	Color Anodized Camber Mount Tower Long Rigid	1
1g	000926	Camber Mount Tower Extra Long Black Anodized Rigid	1
1h	000926_ _ _	Color Anodized Camber Mount Tower Extra Long Rigid	1
2	000920	Camber Mount Cap Rigid	1
3a	111822	Tower Clamp Mount, Clik	1
3b	003366	One Arm Drive Tower Clamp, Outboard Mount, Clik <i>Used with Clik Hex Style One Arm Drive. See Clik Blade Style or Quick Release Style One Arm Drive for configurations where used.</i>	1
4a	001786	Tower Clamp Black Anodized LW	1
3a, 4a, 5a, 6a	502578	Camber Tower Clamp Black Anodized w/ Hardware Assembly, One Side CLIK	1
4b	001786_ _ _	Color Anodized Tower Clamp LW	1
3a, 4b, 5a, 6a	502578_ _ _	Color Anodized Camber Tower Clamp w/ Hardware Assembly, One Side	1
5a	102619	M5 X 40 SHCS BLK ZC <i>Used in all configurations unless Quick Release OAD/Hex style OAD is present</i>	2
5b	101734	M5 x 35 SHCS BLK ZC <i>Used with Quick Release style OAD/Hex Style OAD</i>	2
6a	100657	M5 Nylock Nut Blk Zn <i>Use quantity 5 per side if One Arm Drive is not present. Use quantity 3 per side if One Arm Drive is present.</i>	5
6b	103056	M5 Cap Nut Black Zinc <i>Use quantity 2 per side for the tower clamp mount if One Arm Drive is present</i>	2
7	001347	Camber Tower Mounting Clamp Rigid	1
8	101717	M5 x 25 SHCS BLK ZC	2
9	101734	M5 x 35 SHCS BLK ZC	1
10	105015	M5 X 6 DIN914 SSS CONE PT PLN	2
7-10	502579	Camber Tube Mount w/ Hardware Assembly, One Side CLIK	1

Color Anodizing Samples

