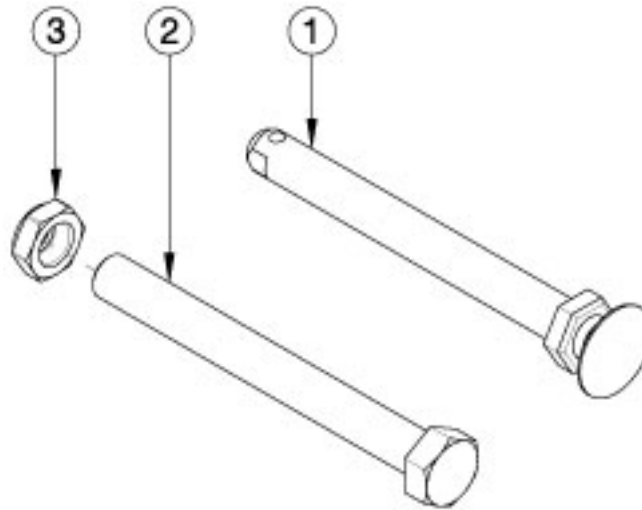


Flip Axles



Item Number	Part Number	Description	Quantity
1a	101108	Axle Quick Release w/ Button 1/2" x 99MM	1
1b	101191	Axle Quick Release w/ Button 1/2" x 110MM	1
1c	102371	Axle Quick Release w/ Button 1/2" x 122mm	1
2	100899	Fixed Axle 1/2-13 x 4-3/4 G5 HHCS ZC	1
3	100900	1/2-13 NTE JAM NYL INS L/N HXFRE ZC	1

Flip Axle Reference

Quick Release Axles		
Wheel	Receiver	
		100756
X Core Mag	101191	102371
12" and 16" Mag / MAXX Performance Spoke / MAXX Mag	101108	101191

Drum Brake Quick Release Axles	
12" Mag	101108
MAXX Performance Spoke	101191

Fixed Axles	
Wheel	Receiver
ALL Wheels	100899

Axle Part Numbers	
Push Button Style	Threaded (Fixed)
101108 (1/2" x 99mm)	100899 (1/2" x 4-3/4")
101191 (1/2" x 110mm)	
102371 (1/2" x 122mm)	

Flip Axles and Receivers

To find the appropriate axle, first establish the axle receiver according to the RECEIVERS section and then determine the axle using the AXLES section.

RECEIVERS

Receiver: 100756 (Discontinued 3-3-2023)

Description: Axle Receiver ½"

Used When: Quick Release Axles are present without Drum Brake

Receiver: 114480

Description: Axle Receiver 2.5" Length

Used When: Quick Release Axles are present without Drum Brake

Receiver: 003239

Description: Axle Sleeve, Threaded Axle

Used When: Fixed Axles are present

AXLES

100756 Receiver (Discontinued 3-3-2023)

Quick Release Axles:

Use 101191 with X Core Mag

Use 101108 with 12" and 16" Mag, MAXX Performance Spoke, and MAXX Mag wheels

114480 Receiver

Quick Release Axles:

Use 102371 with X Core Mag and MAXX Mag wheels

Use 101191 with 12" and 16" Mag and MAXX Performance Spoke wheels

003239 Receiver

Fixed Axles:

Use 100899 with ALL wheels

Drum Brake

See designated Drum Brake parts manual pages for Drum Brake Rotor / Axle Sleeve information.

Quick Release Axles:

Use 101108 with 12" Mag wheels

Use 101191 with MAXX Performance Spoke wheels

Quick Release Axle Measuring Guide

To identify which axle you have: Set your axle on the printed copy of this page (do not scale when printing) or take the measurement as shown and locate which overall dimension matches that of the axle you have.

Note: The overall length is not the same as the "useable length" which is the length used in the part description. Images of all axles are shown below.

